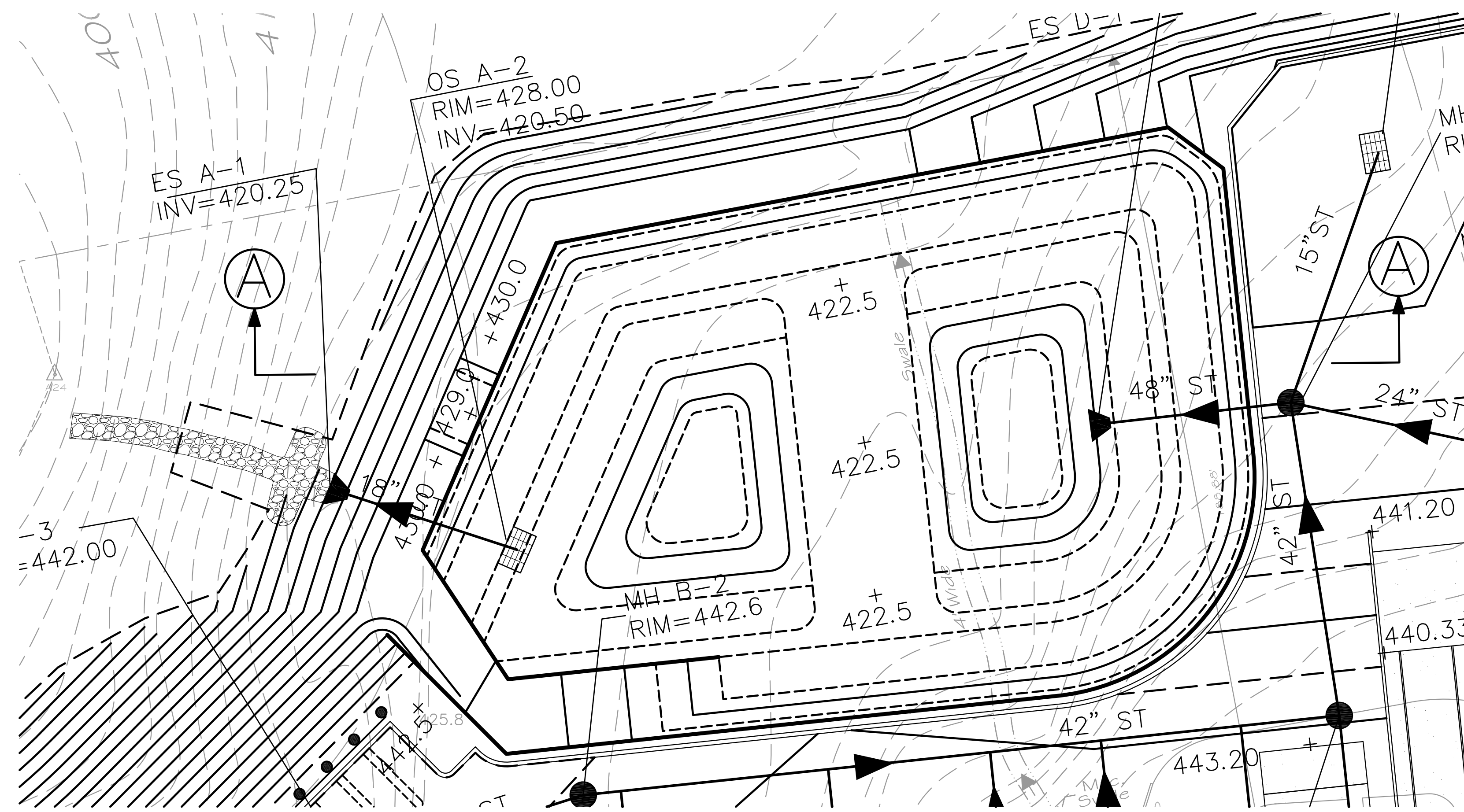
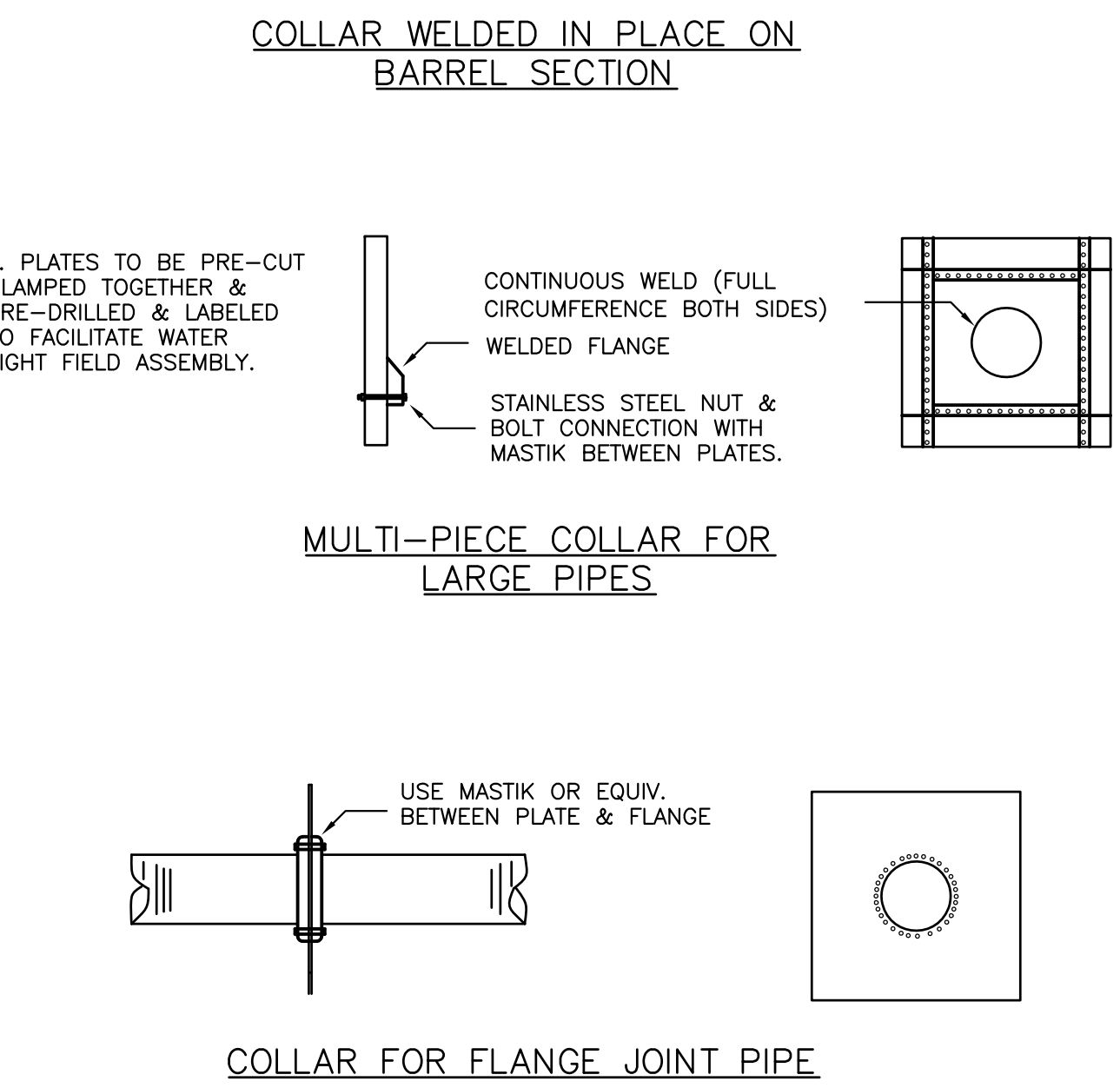
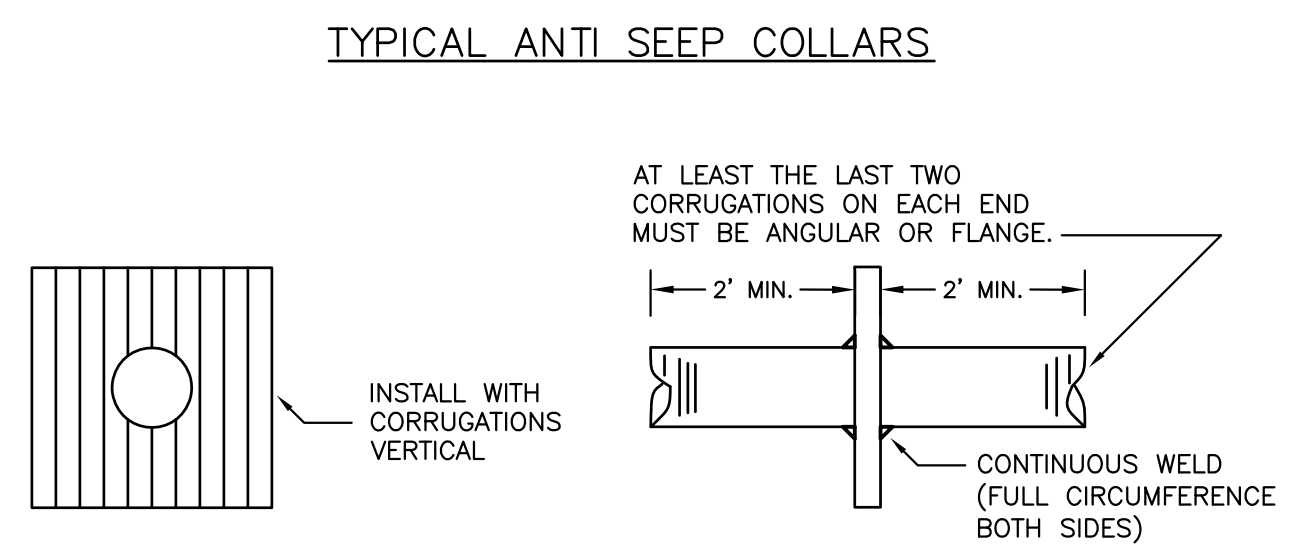


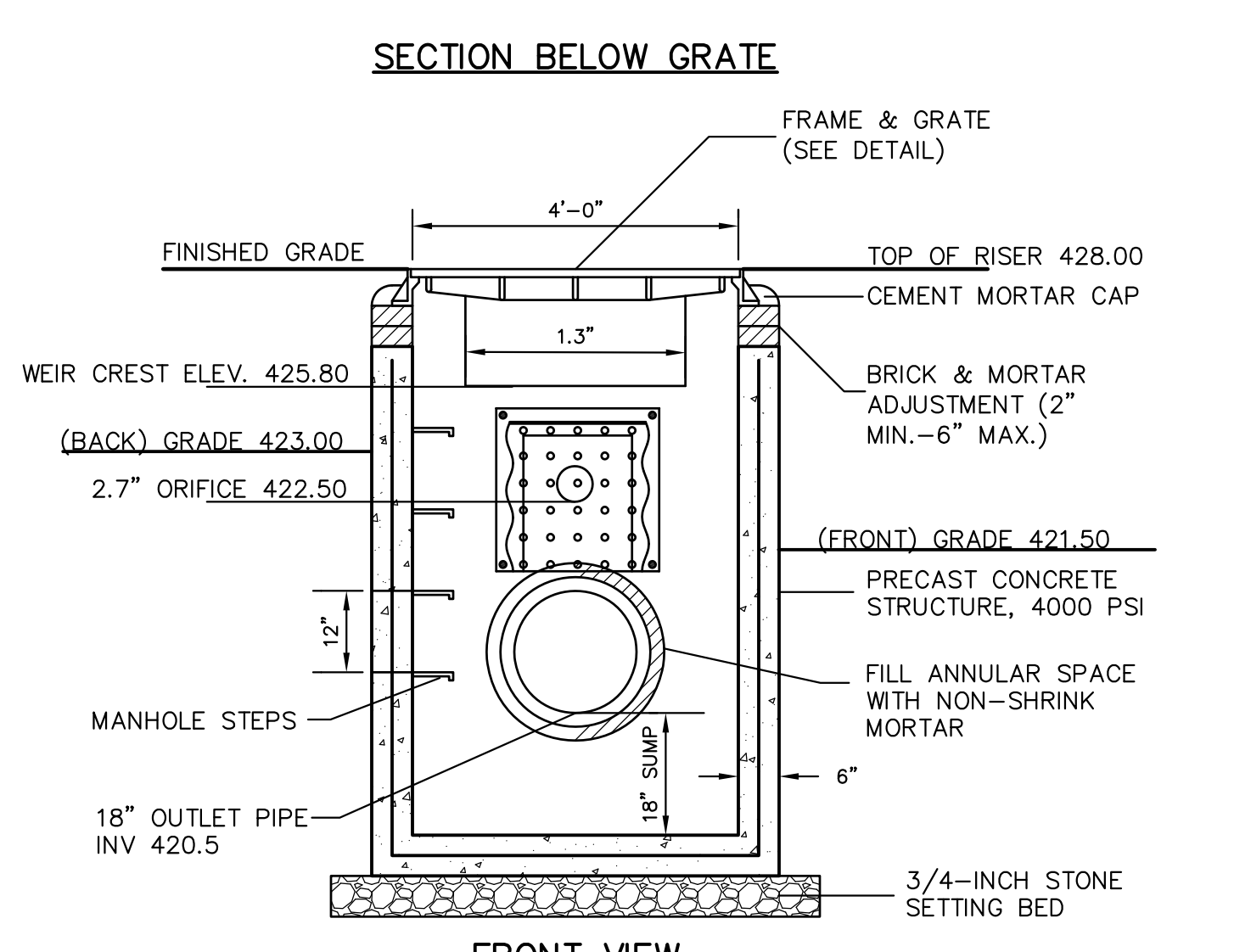
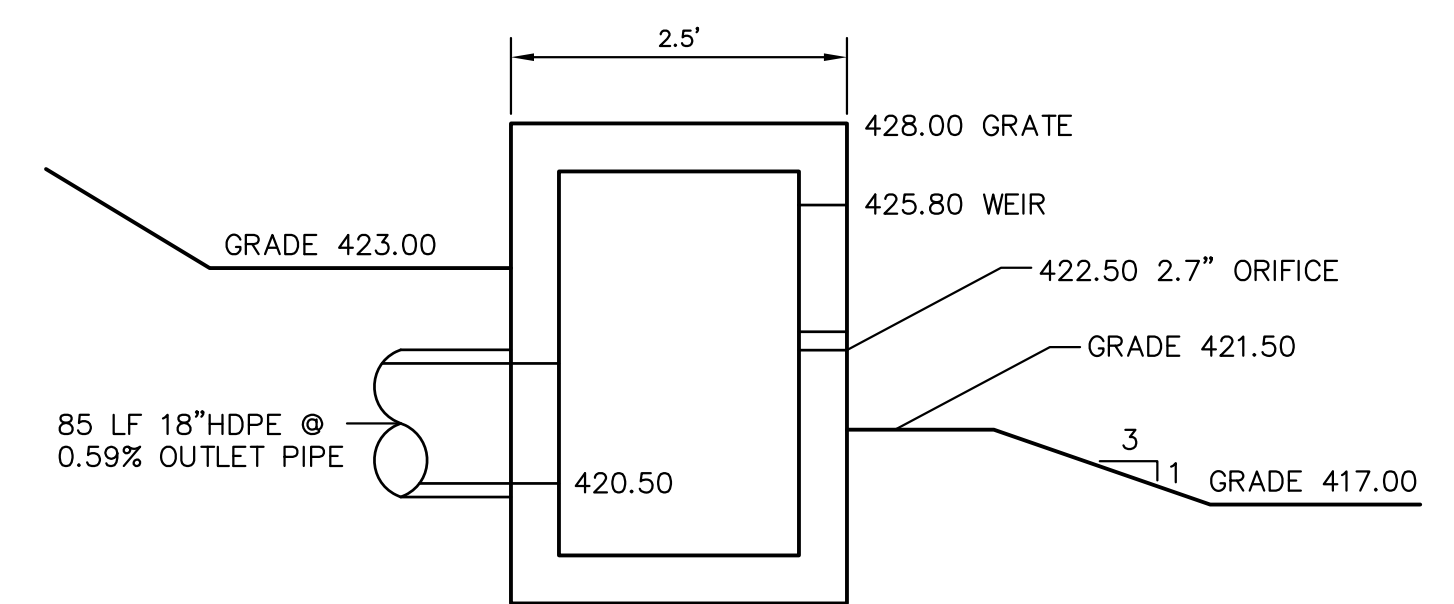
NO.	REVISION	DATE
1	Submitted with DEIS	8/03/12
2	Issued as part of DEIS Acceptance	9/06/12



PLAN VIEW
MICROPOOL – EXTENDED DETENTION POND
SCALE : 1"=20'

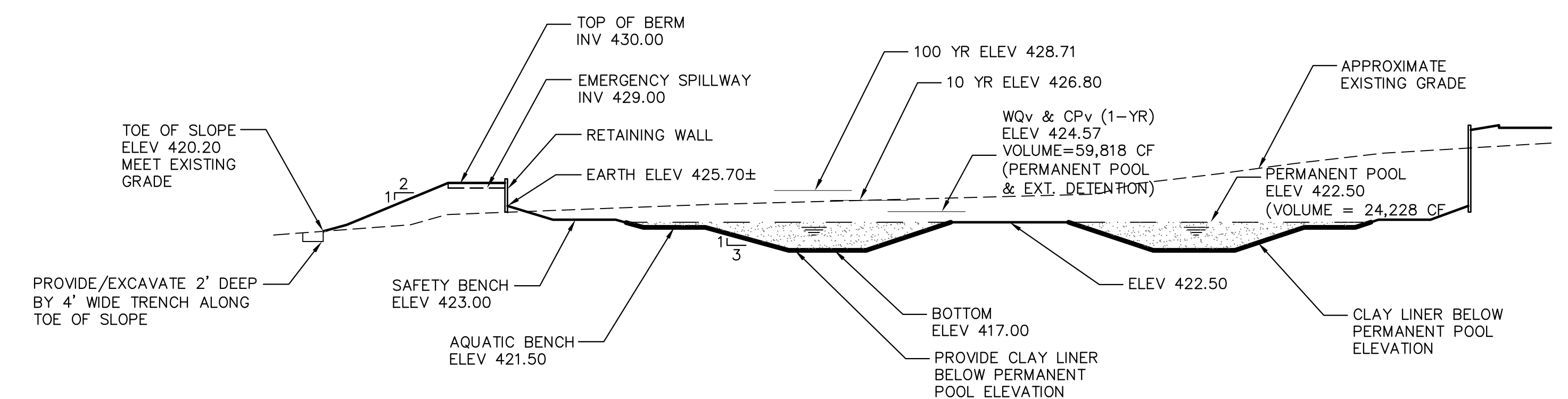


POND OUTLET PIPE ANTI SEEP COLLAR
NOT TO SCALE

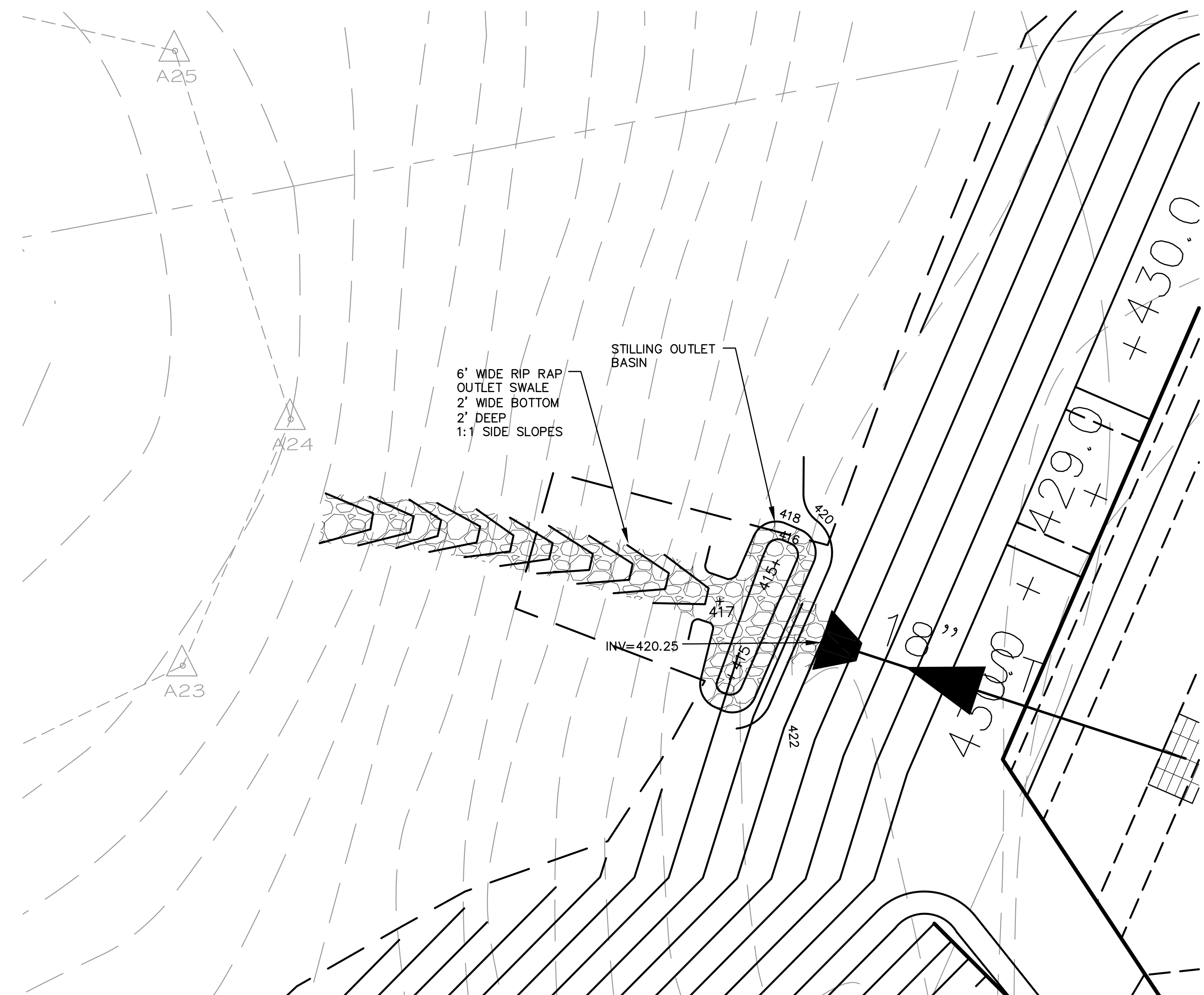


- NOTES:
1. THE CONTRACTOR SHALL SUBMIT SHOP DRAWINGS OF EACH INLET FOR THE ENGINEERS APPROVAL PRIOR TO FABRICATION.
 2. PRECAST INLETS SHALL BE CERTIFIED AS CONFORMING TO ASTM C913, LATEST REVISION.
 3. PRECAST INLETS SHALL BE DESIGNED FOR HS-20 LOADING.
 4. MANHOLE STEPS ARE NOT REQUIRED FOR INLET DEPTHS LESS THAN 4 FEET.
 5. "KNOCKOUT" TYPE INLET STRUCTURES SHALL NOT BE PERMITTED.

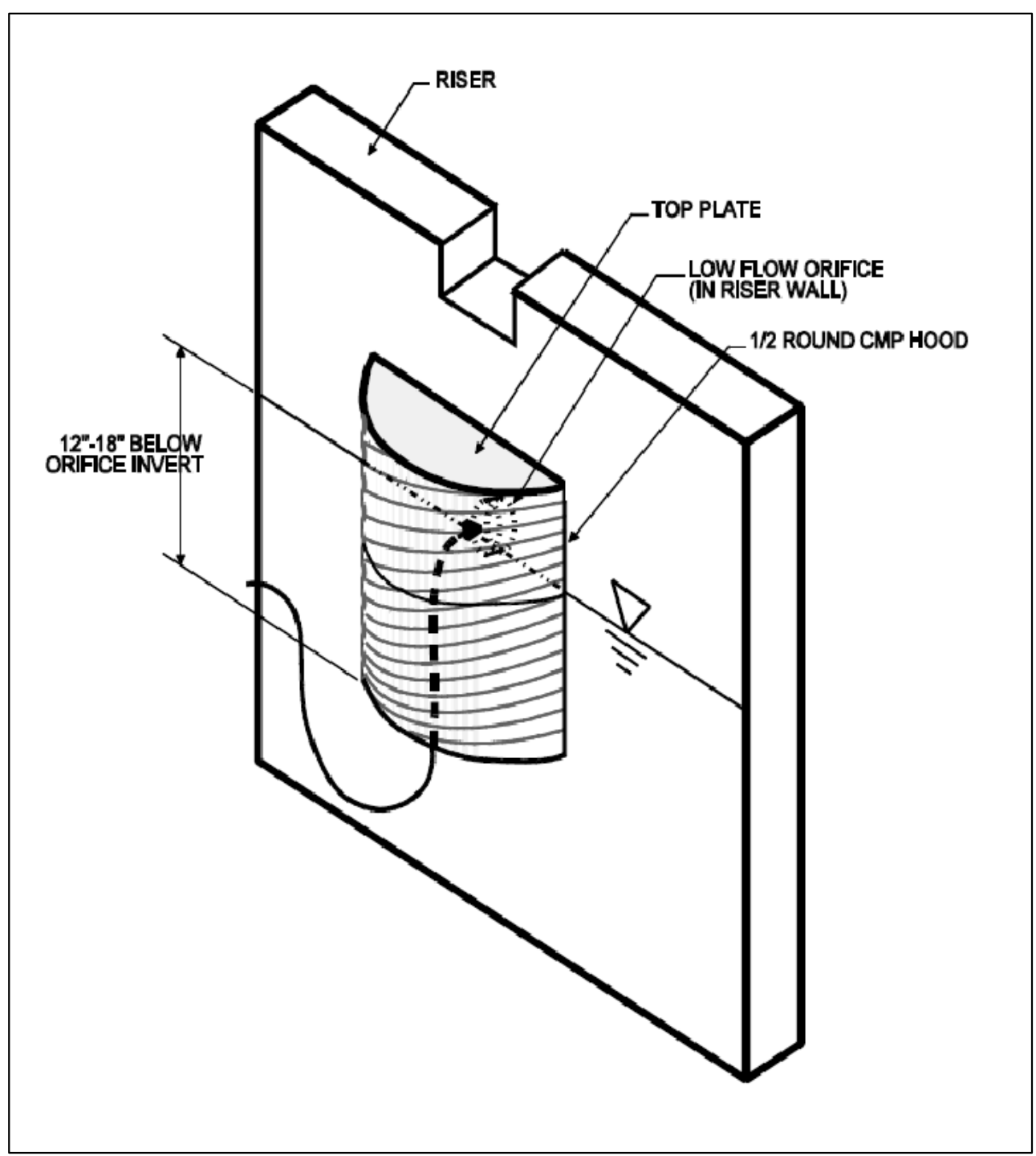
POND OUTLET STRUCTURE (DRAIN INLET (TYPE 1S))
NOT TO SCALE



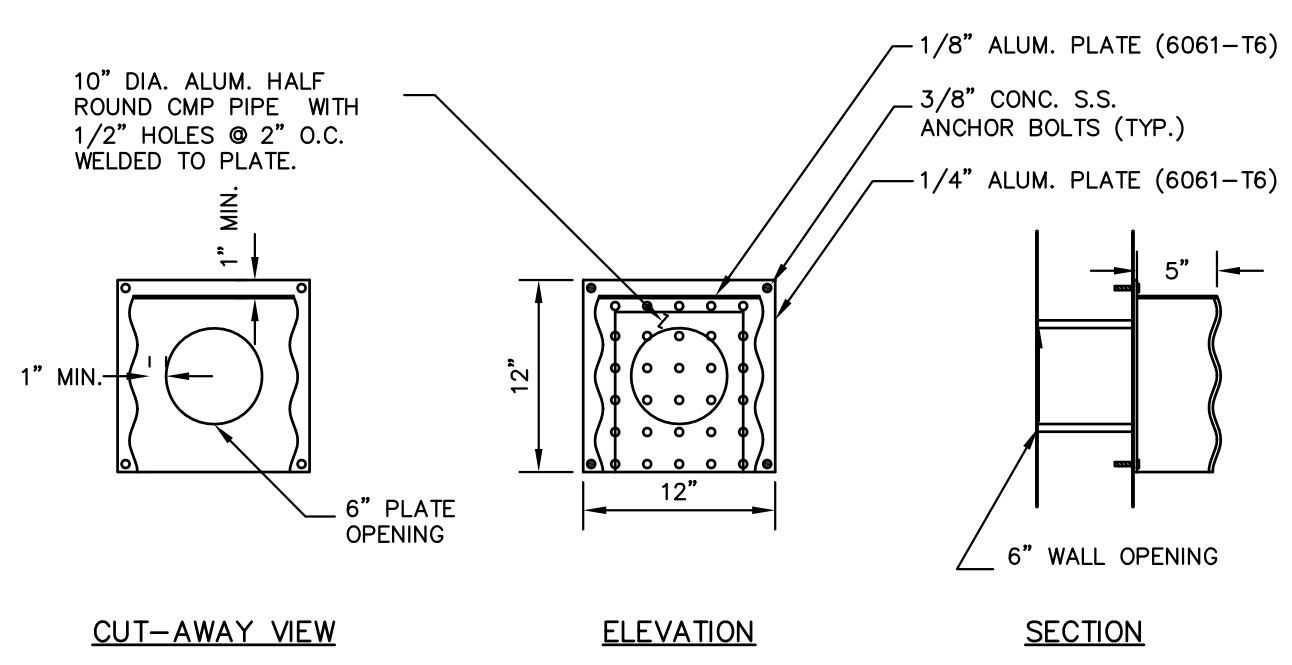
SECTION "A-A"
MICROPOOL – EXTENDED DETENTION POND
SCALE : 1"=20'



PLAN VIEW
PLUNGE POOL
SCALE : 1"=10'

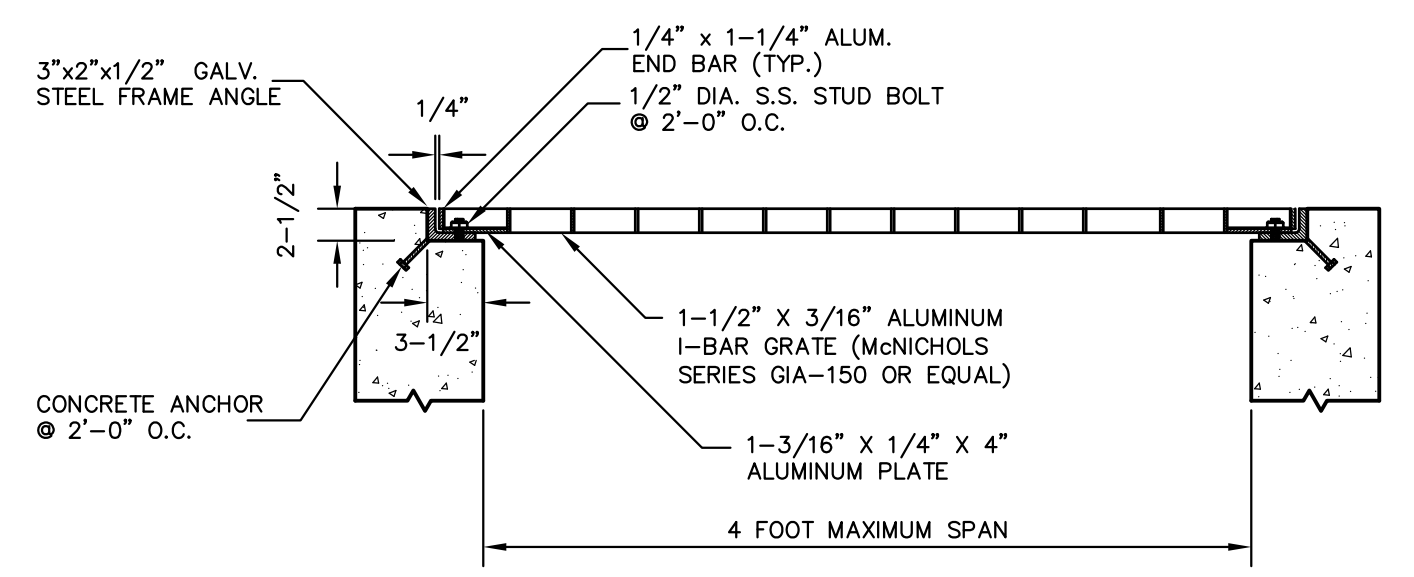


HALF ROUND PIPE HOOD
NOT TO SCALE



- NOTE:
1. THIS RACK SHALL BE INSTALLED OVER FIRST STAGE ORIFICE OUTLET OPENING.

TRASH RACK
NOT TO SCALE



OUTLET STRUCTURE GRATE
NOT TO SCALE

Surveyor:	J. Henry Carpenter & Co. 2070 Saw Mill River Road Yorktown Heights, NY 10598-4108 Tel: (914) 962-2689 Fax: (914) 962-2623
Wetland Consultant:	Evans Associates 205 Arny Road Bethany, CT 06524 Tel: (203) 393-0690 Fax: (203) 393-0196
Architect:	Malvany G2 Architects 1110 112th Avenue NE, Suite 500 Bellevue, WA 98004 Tel: (425) 463-2000 Fax: (425) 463-2002
Applicant:	Retail Store Construction Co., Inc. c/o Breslin Realty Development 500 Old Country Road Garden City, NY 11560 Tel: (516) 741-7400 Fax: (516) 741-7128

TRC TRC Engineers, Inc.
1110 112th Avenue NE, Suite 500
Hawthorne, New York 10532
Tel: (914) 592-4040
Fax: (914) 592-5046
www.trcsolutions.com

© TRC Engineers, Inc.

UNDER ARTICLE 145 (ENGINEERING), SECTION 7209 (2) OF THE NEW YORK STATE EDUCATION LAW, IT IS UNLAWFUL FOR ANY PERSON TO ALTER ANY ITEM ON THIS DRAWING, UNLESS ACTING UNDER THE DIRECTION OF A LICENSED PROFESSIONAL ENGINEER. IF ANY ITEM IS ALTERED, THE ALTERING ENGINEER SHALL AFFIX TO THE ITEM HIS SEAL AND THE NOTATION "ALTERED BY" FOLLOWED BY HIS SIGNATURE AND THE DATE OF SUCH ALTERATION, AND A SPECIFIC DESCRIPTION OF THE ALTERATION.

COSTCO WHOLESALE
U.S. Route 202 / N.Y. Route 35
Yorktown, New York

TITLE:
POND DETAILS

SCALE:	AS SHOWN
DATE:	11/16/11
DRAWN BY:	JLM
CHECKED BY:	TDH
PROJECT:	165213
DRAWING NO.:	