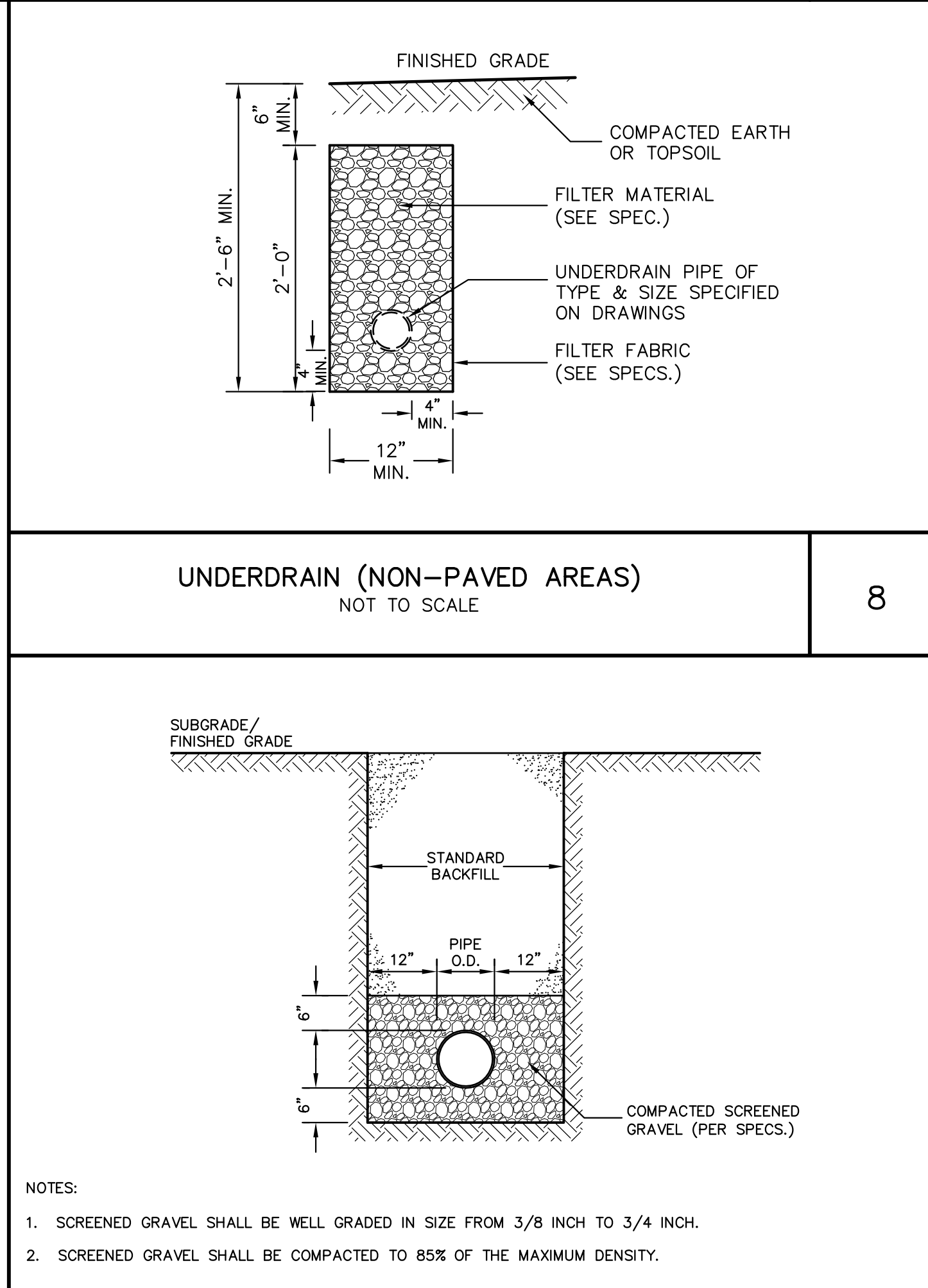
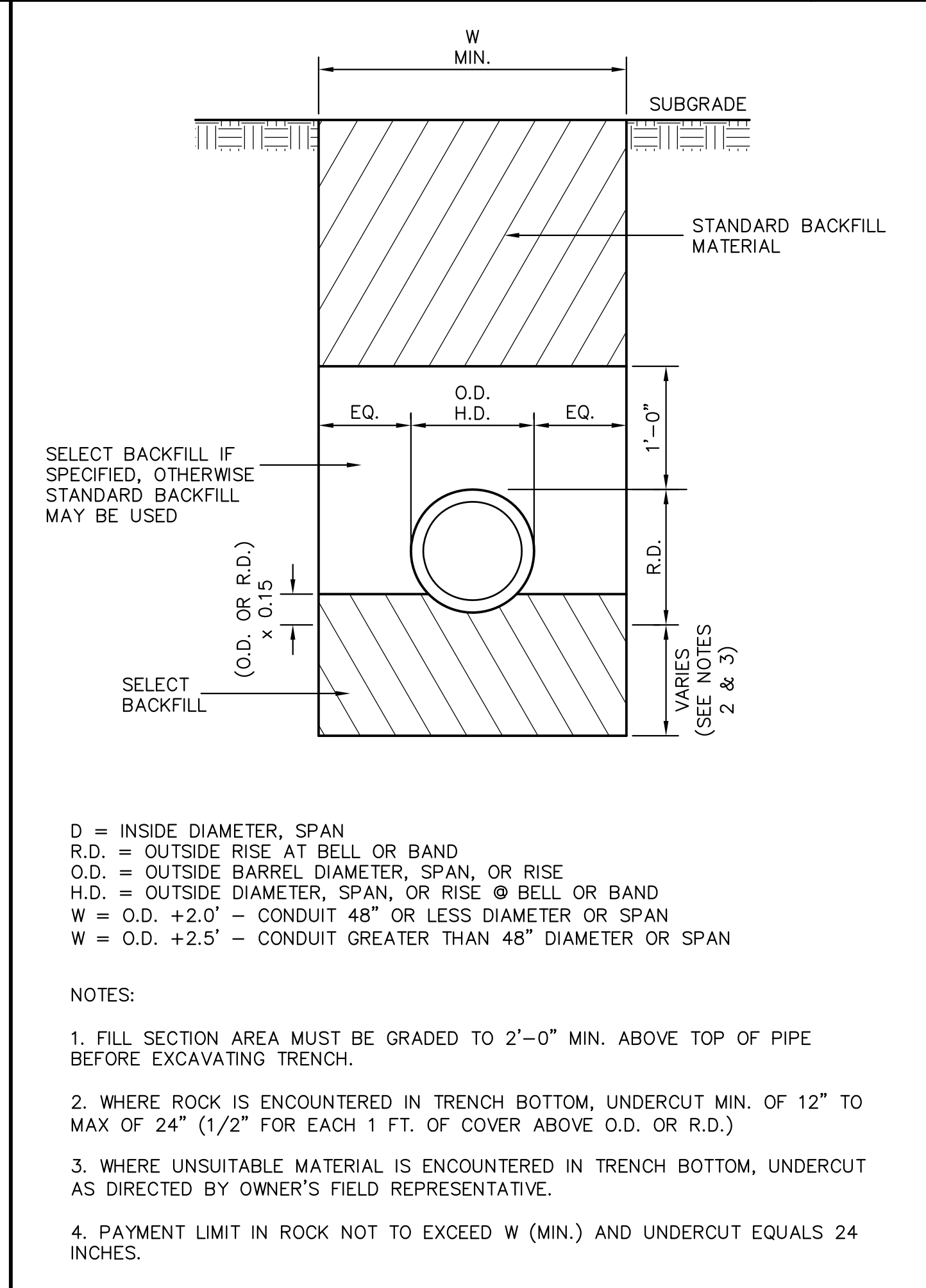
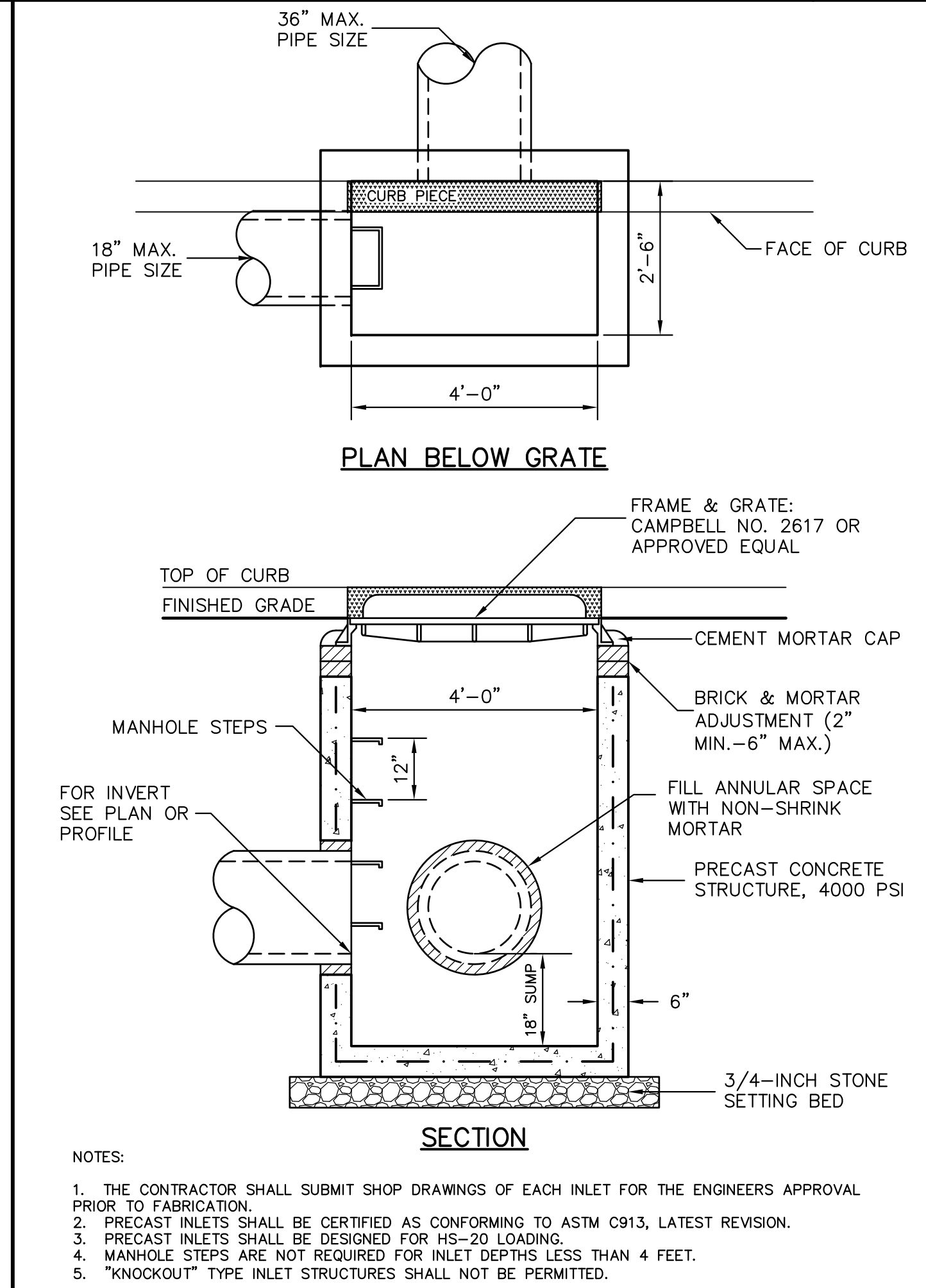
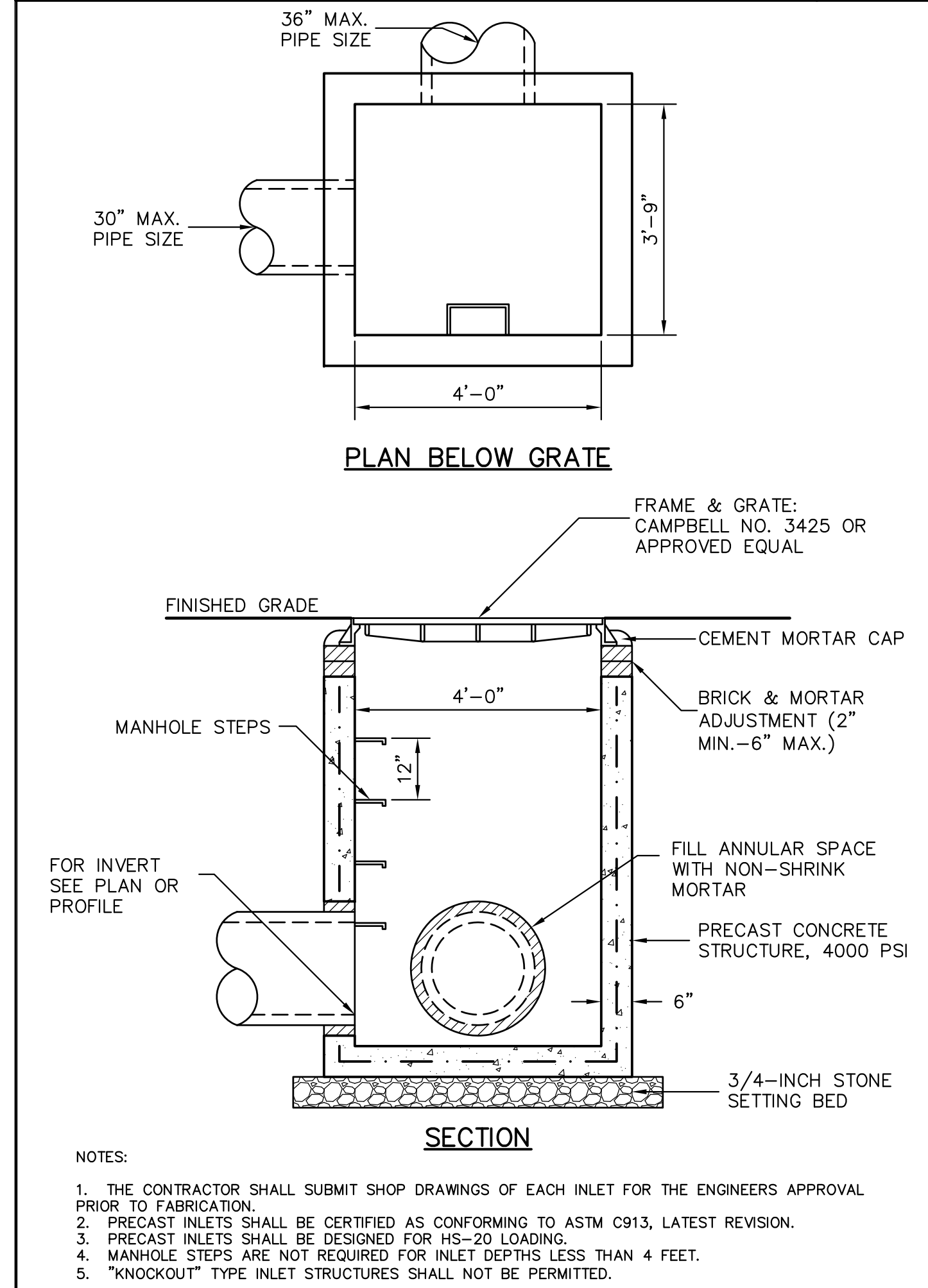


AREA DRAIN/AREA MANHOLE  
NOT TO SCALE 1

DRAIN INLET (TYPE 1S)  
NOT TO SCALE 2

CATCH BASIN (TYPE 2S)  
NOT TO SCALE 3

STANDARD PRECAST DRAIN MANHOLE  
NOT TO SCALE 4

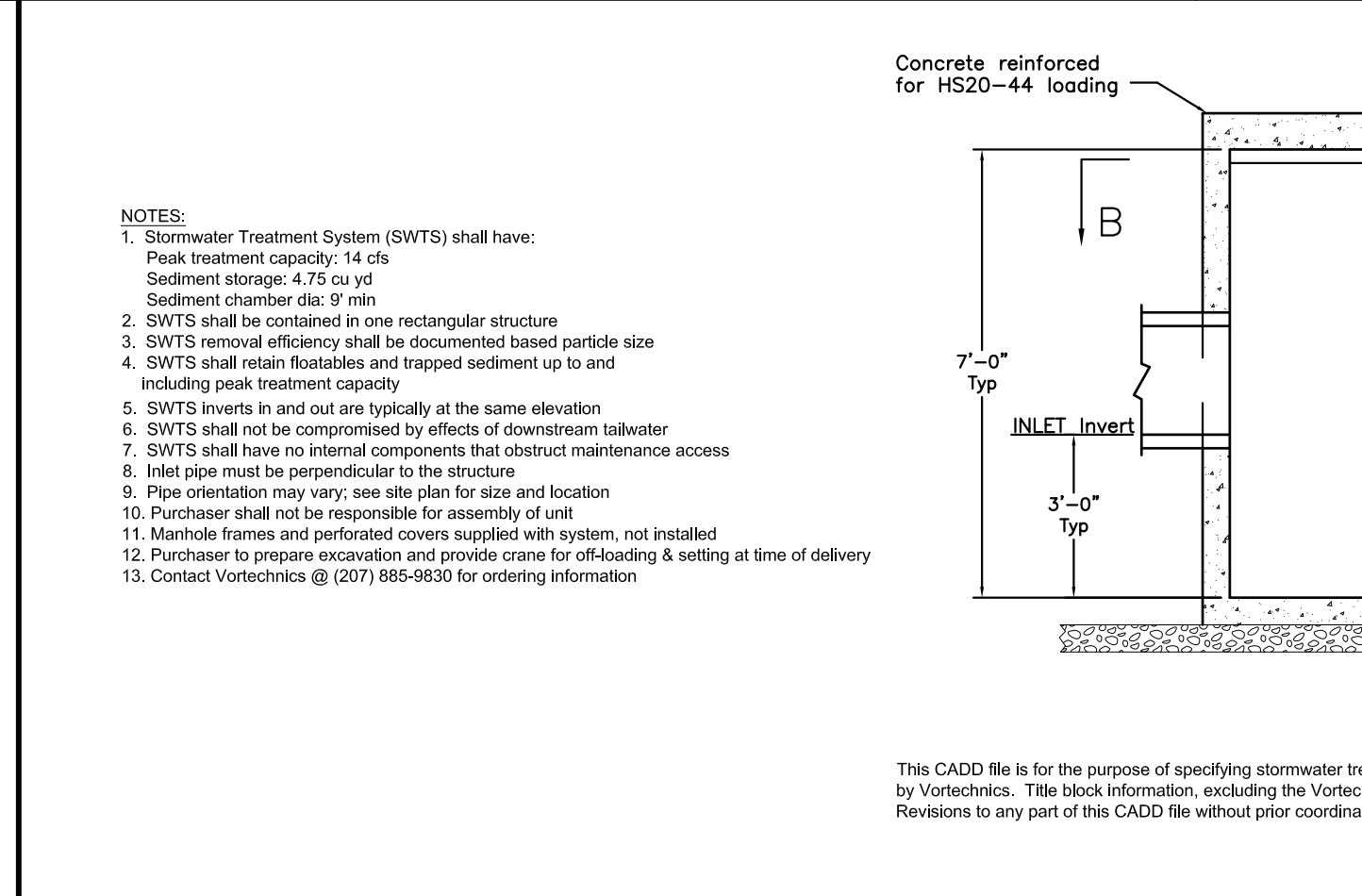
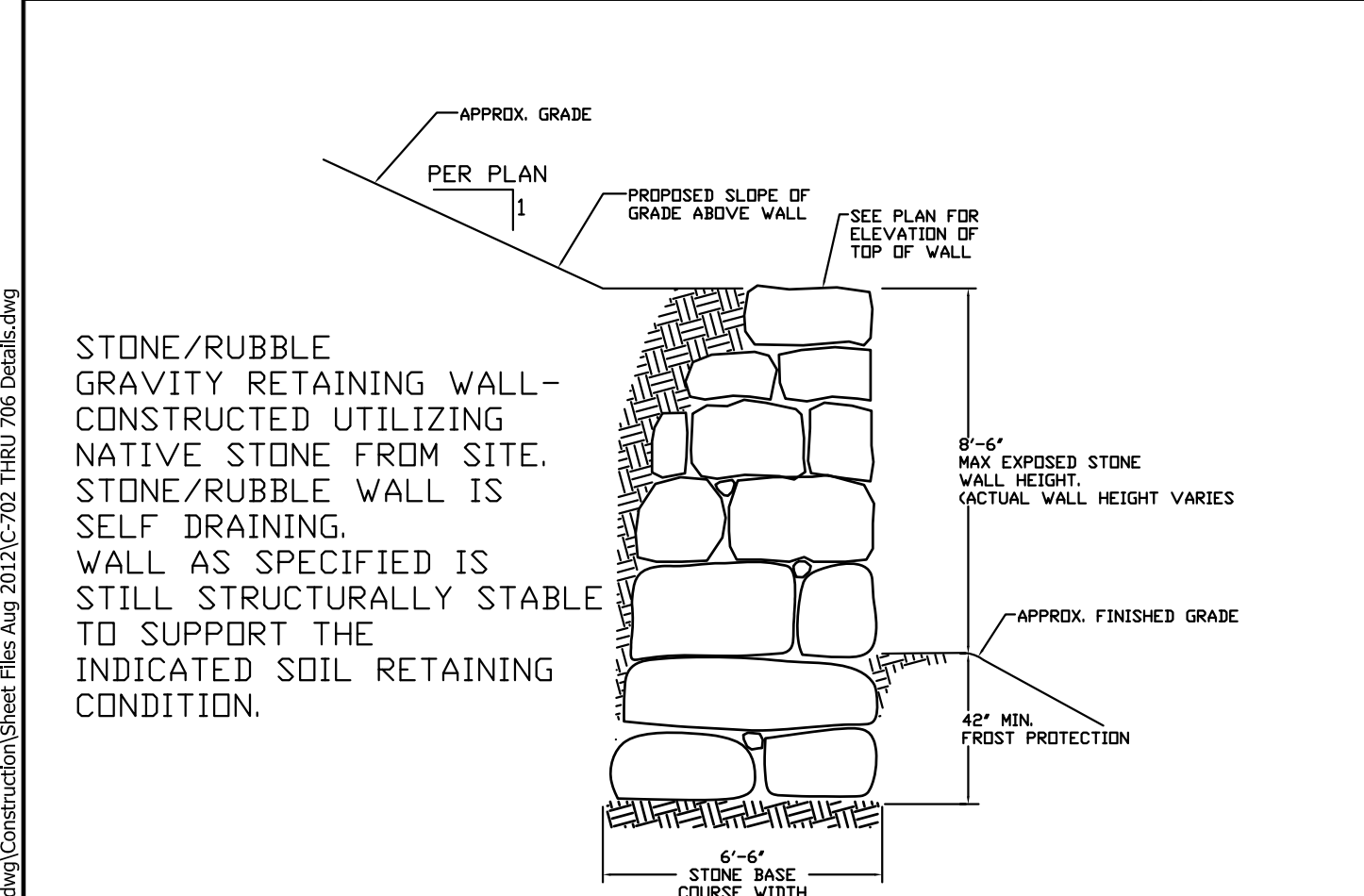


DRAIN INLET (TYPE 2)  
NOT TO SCALE 5

CATCH BASIN (TYPE 1S)  
NOT TO SCALE 6

PIPE TRENCH EXCAVATION & BACKFILL  
NOT TO SCALE 7

SANITARY PVC PIPE TRENCH DETAIL  
NOT TO SCALE 9



TYPICAL SECTION THROUGH STONE/RUBBLE GRAVITY RETAINING WALL (N.T.S.) 10

STANDARD DETAIL STORMWATER TREATMENT SYSTEM VORTECHS MODEL 9000 PROPRIETARY INFORMATION - NOT TO BE USED FOR CONSTRUCTION PURPOSES 11

STANDARD DETAIL STORMWATER TREATMENT SYSTEM VORTECHS MODEL 9000 U.S. PATENT NO. 5,759,415 PROPRIETARY INFORMATION - NOT TO BE USED FOR CONSTRUCTION PURPOSES 11

NO.	REVISION	DATE
1	Submitted with DEIS	8/03/12
2	Issued as part of DEIS Acceptance	9/06/12

Surveyor: J. Henry Carpenter & Co.  
2070 Saw Mill River Road  
Yorktown Heights, NY 10598-4108  
Tel: (914) 962-2689  
Fax: (914) 962-2623

Wetland Consultant: Evans Associates  
205 Amity Road  
Bethany, CT 06524  
Tel: (203) 393-0690  
Fax: (203) 393-0196

Architect: Malvanny G2 Architects  
1110 112th Avenue NE, Suite 500  
Bellevue, WA 98004  
Tel: (425) 463-2000  
Fax: (425) 463-2002

Applicant: Retail Store Construction Co., Inc.  
c/o Breslin Realty Development  
500 Old Country Road  
Garden City, NY 11560  
Tel: (516) 741-7400  
Fax: (516) 741-7128

**TRC** TRC Engineers, Inc.  
1110 112th Avenue NE, Suite 500  
Hawthorne, New York 10532  
Tel: (914) 592-4040  
Fax: (914) 592-5046  
www.trcsolutions.com

© TRC Engineers, Inc.

UNDER ARTICLE 145 (ENGINEERING), SECTION 2209 (2) OF THE NEW YORK STATE EDUCATION LAW, IT IS UNLAWFUL FOR ANY PERSON TO ALTER ANY ITEM ON THIS DRAWING, UNLESS ACTING UNDER THE DIRECTION OF A LICENSED PROFESSIONAL ENGINEER. IF ANY ITEM IS ALTERED, THE ALTERING ENGINEER SHALL AFFIX TO THE ITEM HIS SEAL AND THE NOTATION "ALTERED BY" FOLLOWED BY HIS SIGNATURE AND THE DATE OF SUCH ALTERATION, AND A SPECIFIC DESCRIPTION OF THE ALTERATION.

**COSTCO WHOLESALE**  
U.S. Route 202 / N.Y. Route 35  
Yorktown, New York

TITLE: DETAILS (SHEET 2)

SCALE: As Shown  
DATE: 11/16/11  
DRAWN BY: HGP  
CHECKED BY: RPP  
PROJECTS: 165213  
DRAWING NO.: C-703