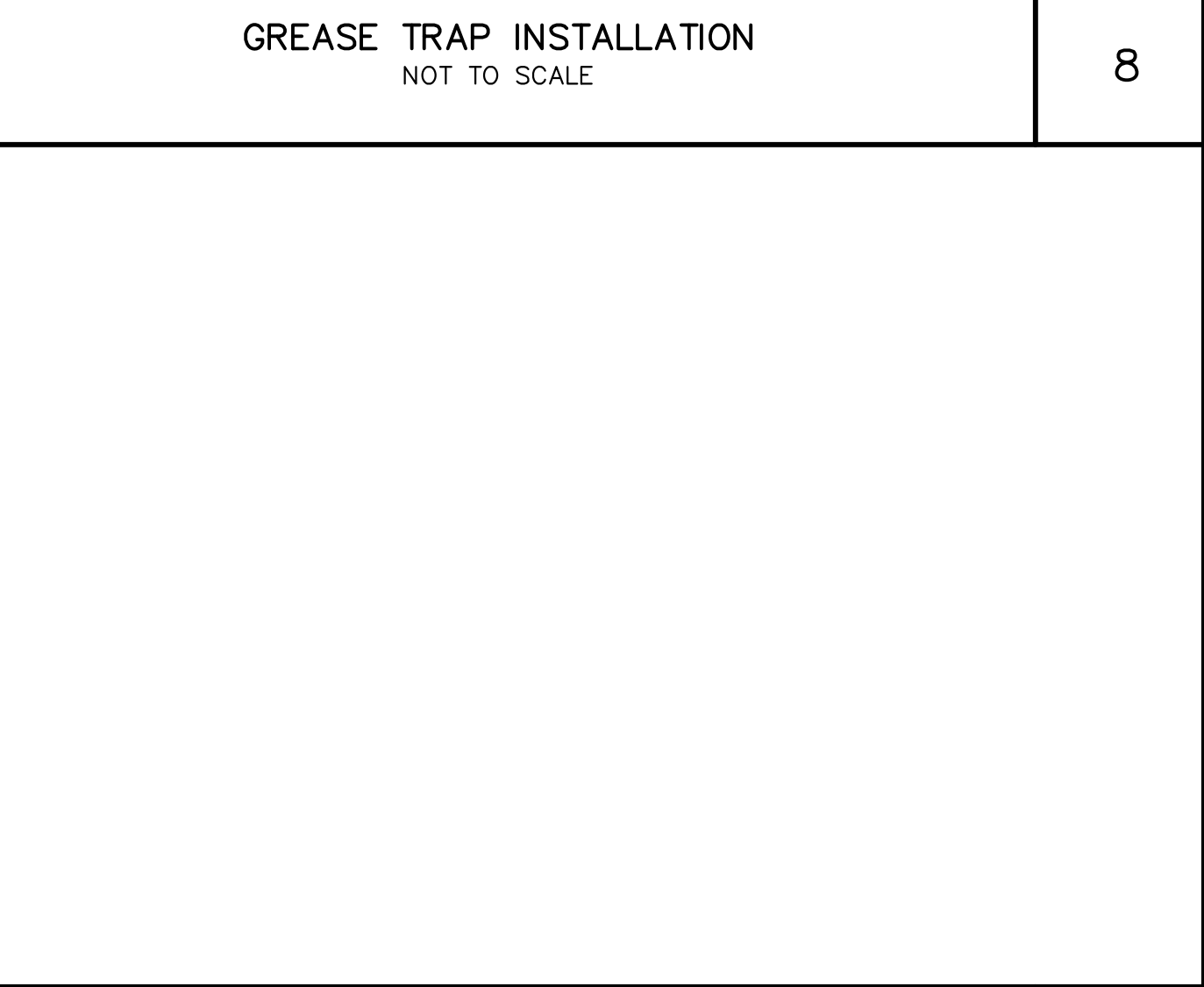
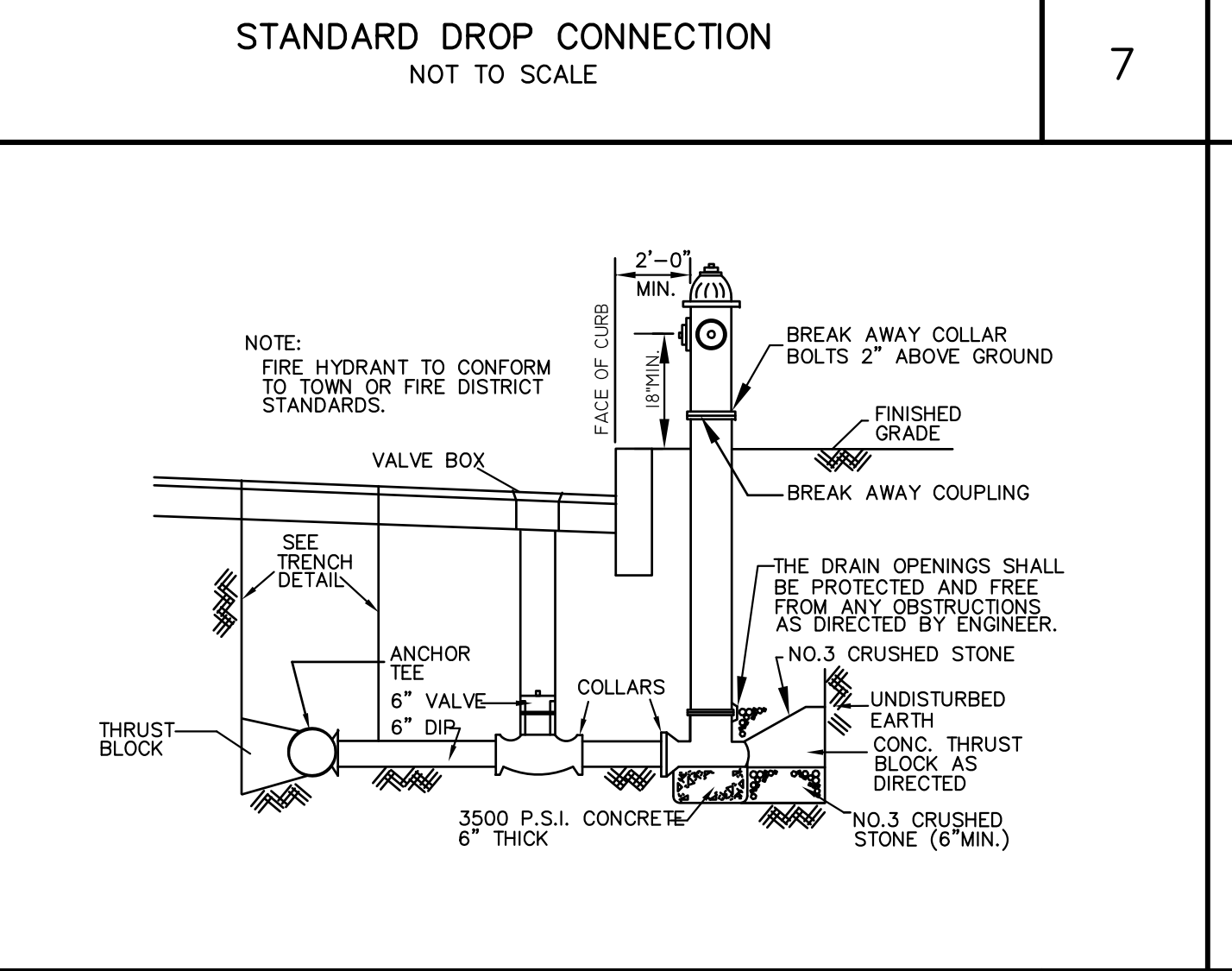
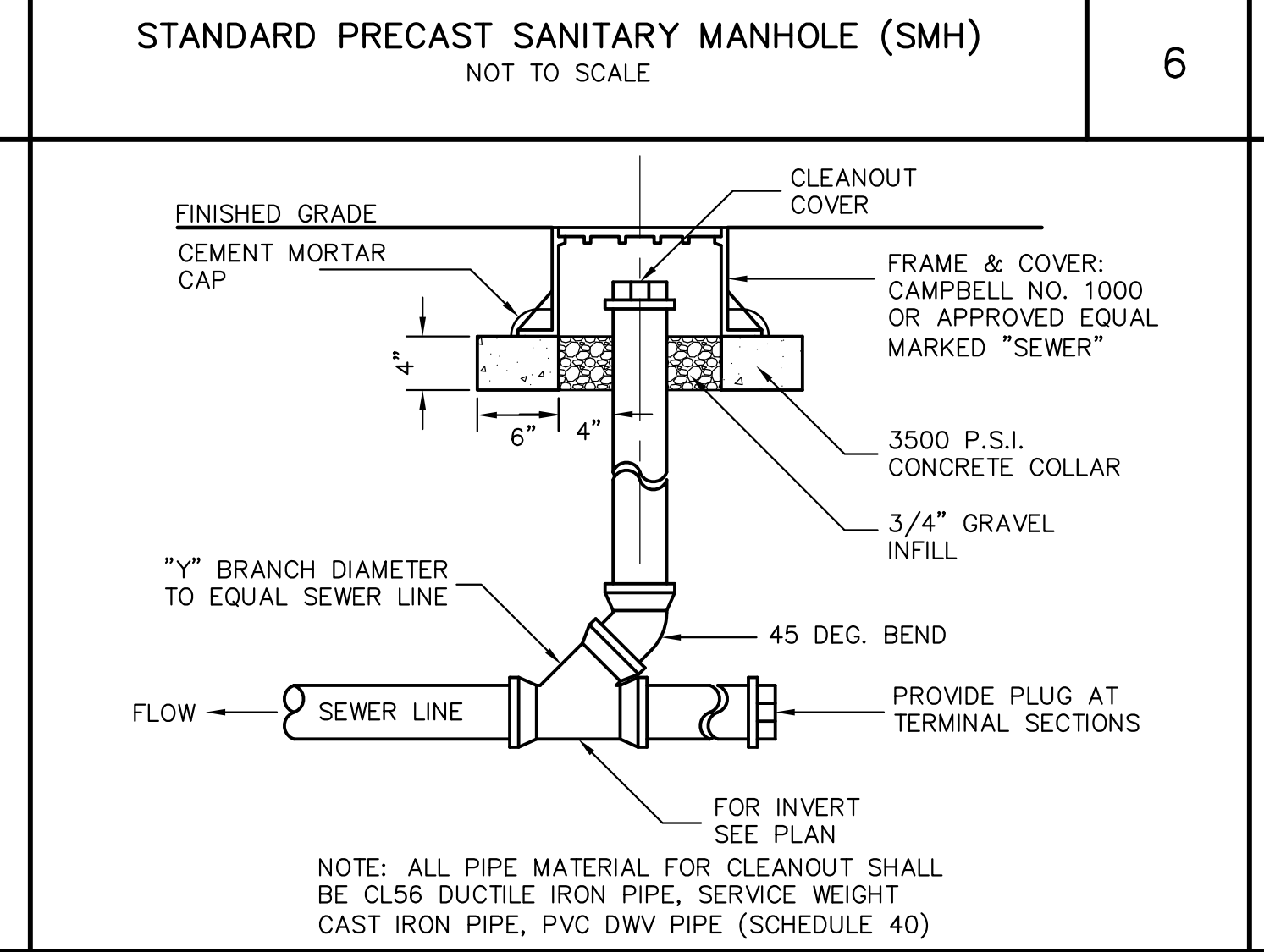
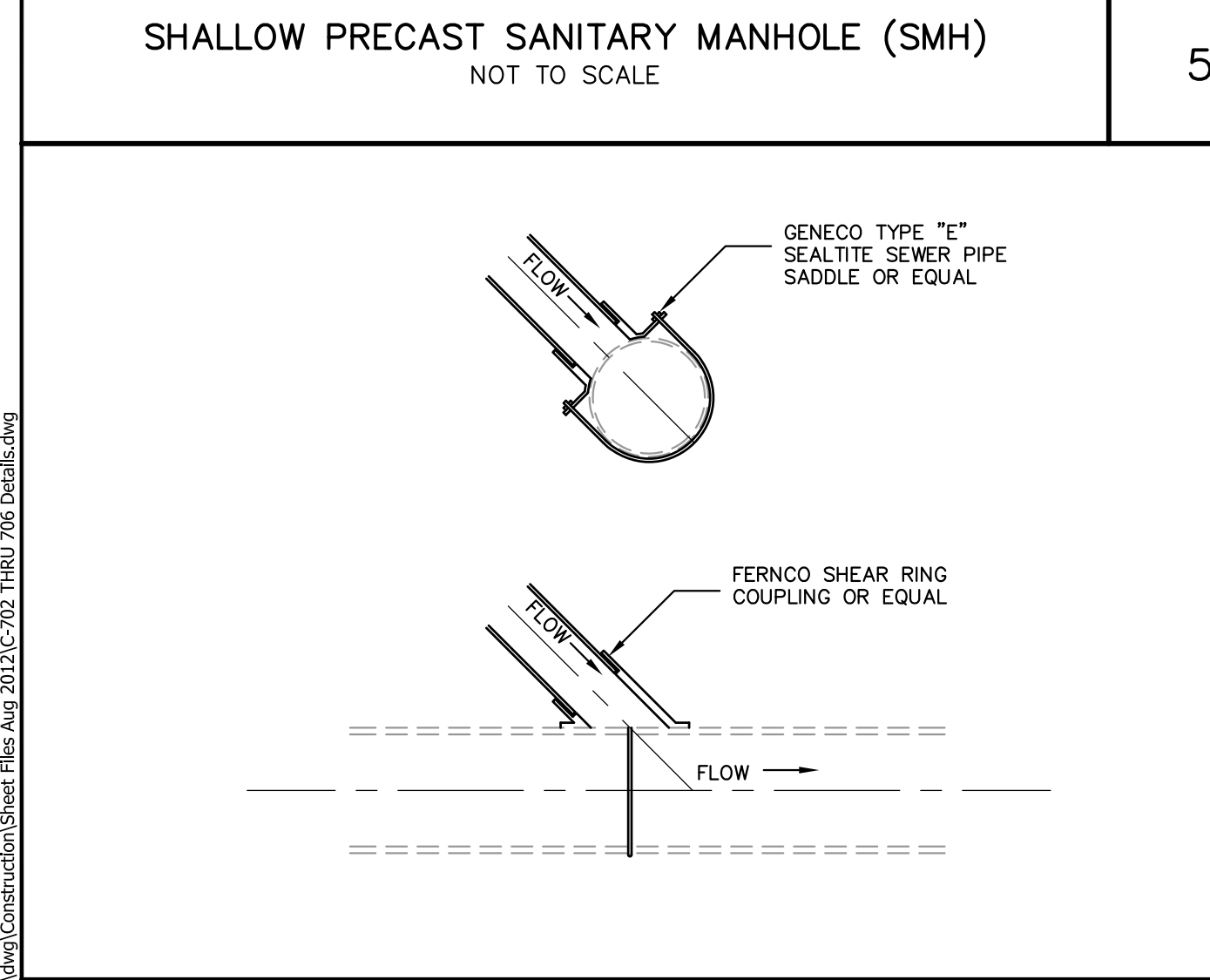
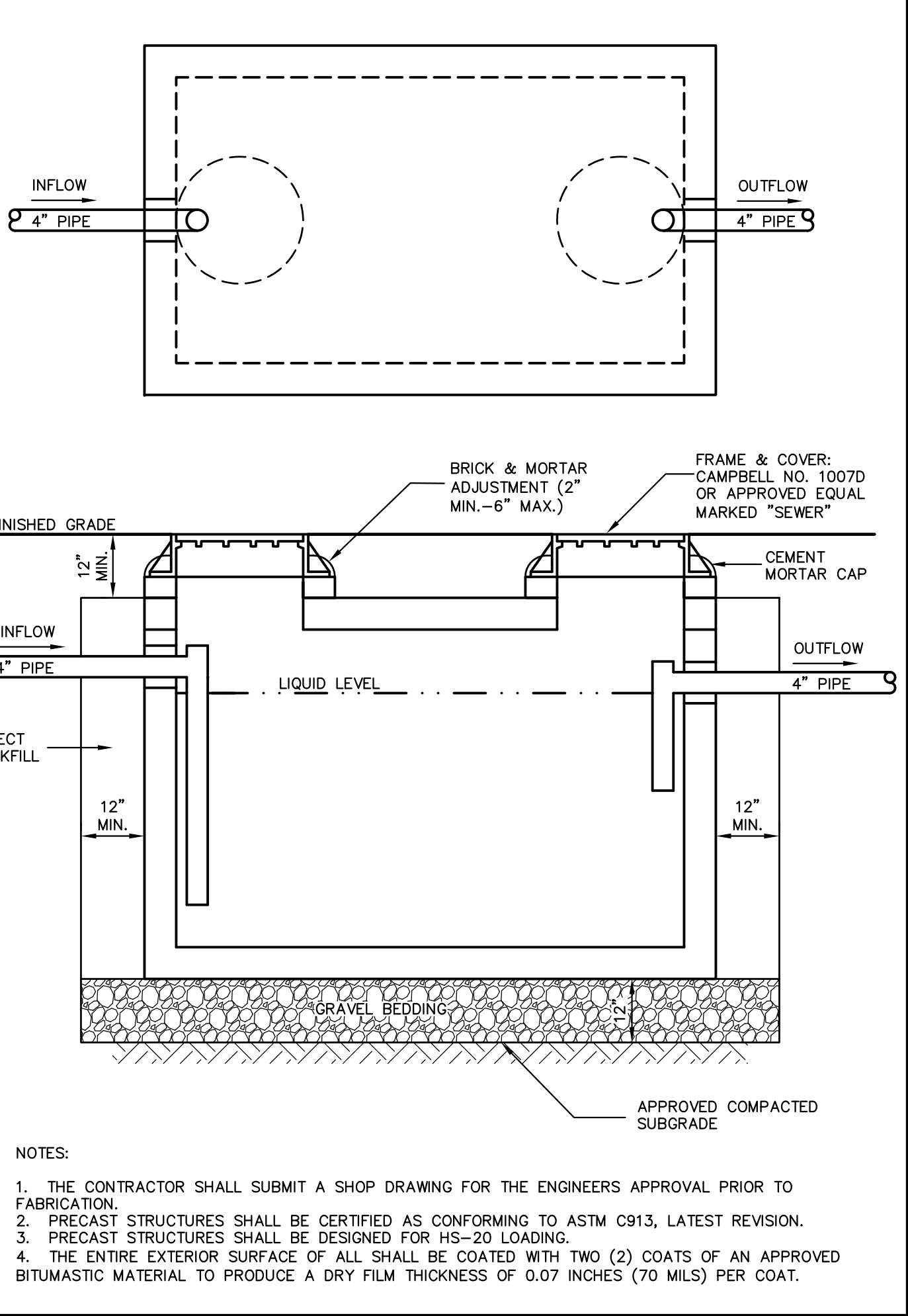
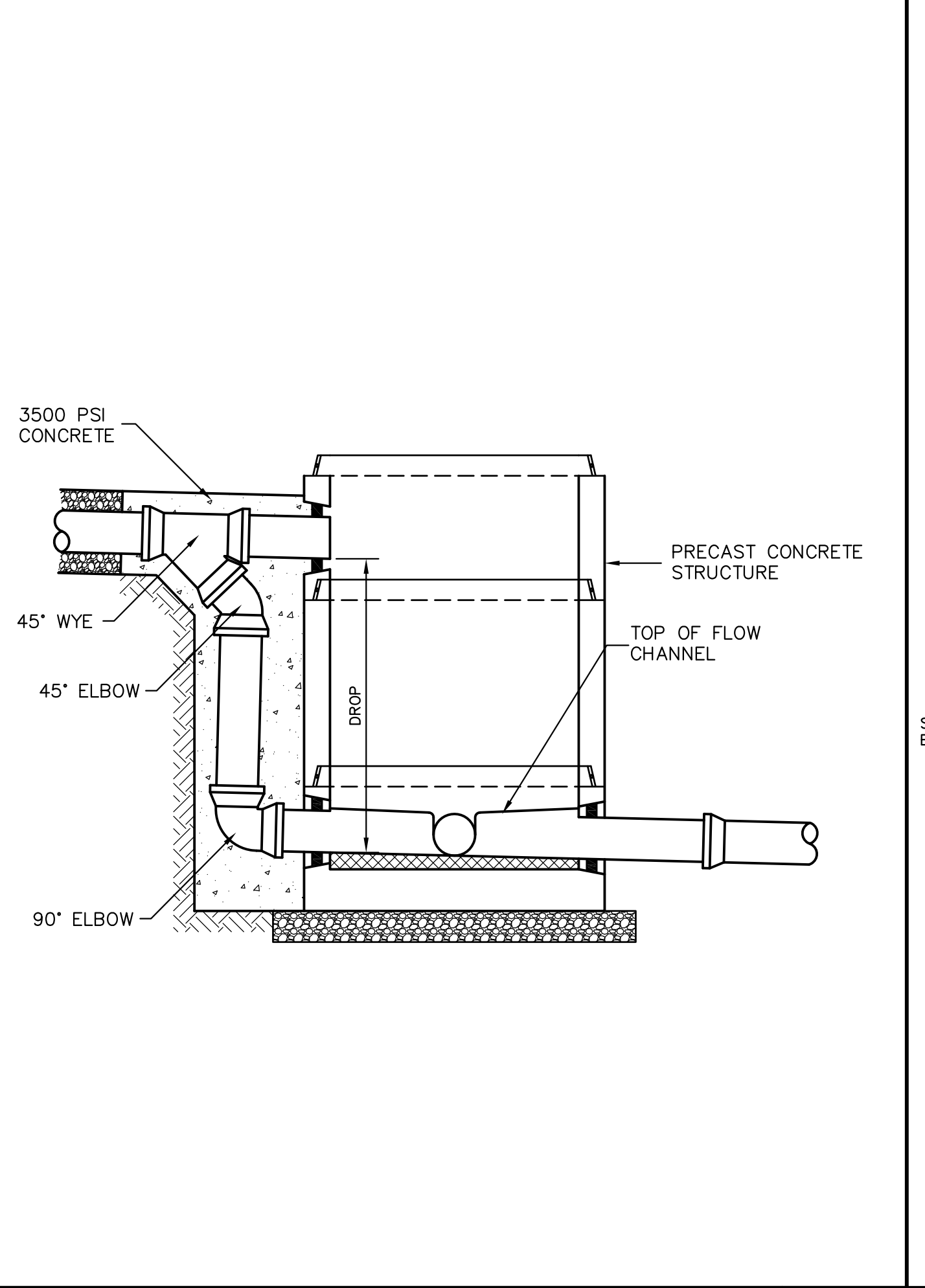
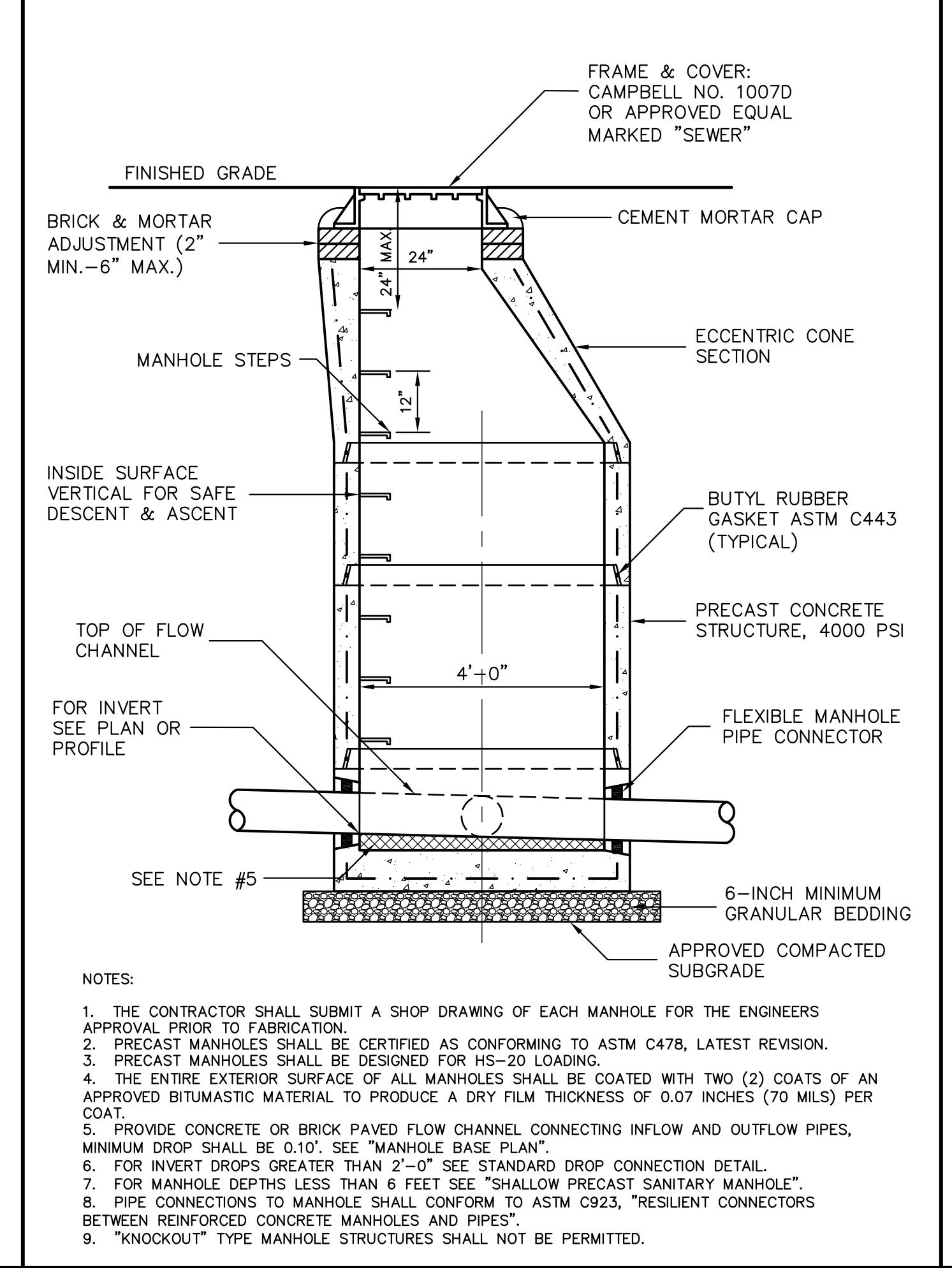
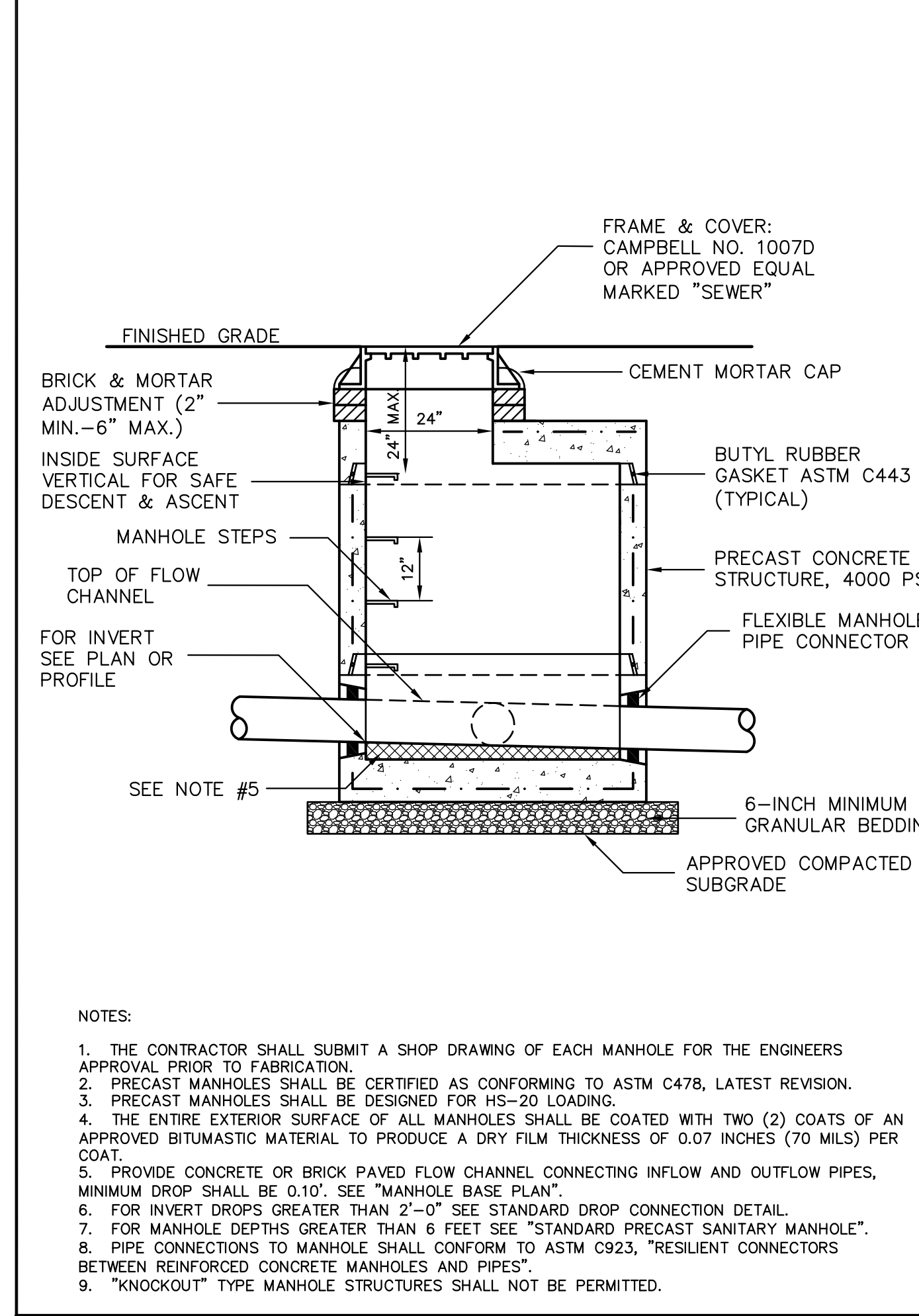


WATER MAIN SEPARATION
NOT TO SCALE

THRUST BLOCKS (1 OF 2)
NOT TO SCALE

THRUST BLOCKS (2 OF 2)
NOT TO SCALE

PRECAST TRENCH DRAIN
NOT TO SCALE



NO.	REVISION	DATE
1	Submitted with DEIS	8/03/12
2	Issued as part of DEIS Acceptance	9/06/12

Surveyor: J. Henry Carpenter & Co.
2070 Saw Mill River Road
Yorktown Heights, NY 10598-4108
Tel: (914) 962-2689
Fax: (914) 962-2623

Wetland Consultant: Evans Associates
205 Amity Road
Bethany, CT 06524
Tel: (203) 393-0690
Fax: (203) 393-0196

Architect: Malvanny G2 Architects
1110 112th Avenue NE, Suite 500
Bellevue, WA 98004
Tel: (425) 463-2000
Fax: (425) 463-2002

Applicant: Retail Store Construction Co., Inc.
c/o Breslin Realty Development
500 Old Country Road
Garden City, NY 11560
Tel: (516) 741-7400
Fax: (516) 741-7128

TRC TRC Engineers, Inc.
7 Saville Drive
Hawthorne, New York 10532
Tel: (914) 592-4040
Fax: (914) 592-5046
www.trcsolutions.com

© TRC Engineers, Inc.

UNDER ARTICLE 145 (ENGINEERING), SECTION 2209 (2) OF THE NEW YORK STATE EDUCATION LAW, IT IS UNLAWFUL FOR ANY PERSON TO ALTER ANY ITEM ON THIS DRAWING, UNLESS ACTING UNDER THE DIRECTION OF A LICENSED PROFESSIONAL ENGINEER. IF ANY ITEM IS ALTERED, THE ALTERING ENGINEER SHALL AFFIX TO THE ITEM HIS SEAL AND THE NOTATION "ALTERED BY" FOLLOWED BY HIS SIGNATURE AND THE DATE OF SUCH ALTERATION, AND A SPECIFIC DESCRIPTION OF THE ALTERATION.

COSTCO WHOLESALE
U.S. Route 202 / N.Y. Route 35
Yorktown, New York

TITLE: **DETAILS**
(SHEET 3)

SCALE: As Shown
DATE: 11/16/11
DRAWN BY: HGP
CHECKED BY: RPP
PROJECT: 165213
DRAWING NO.: C-704