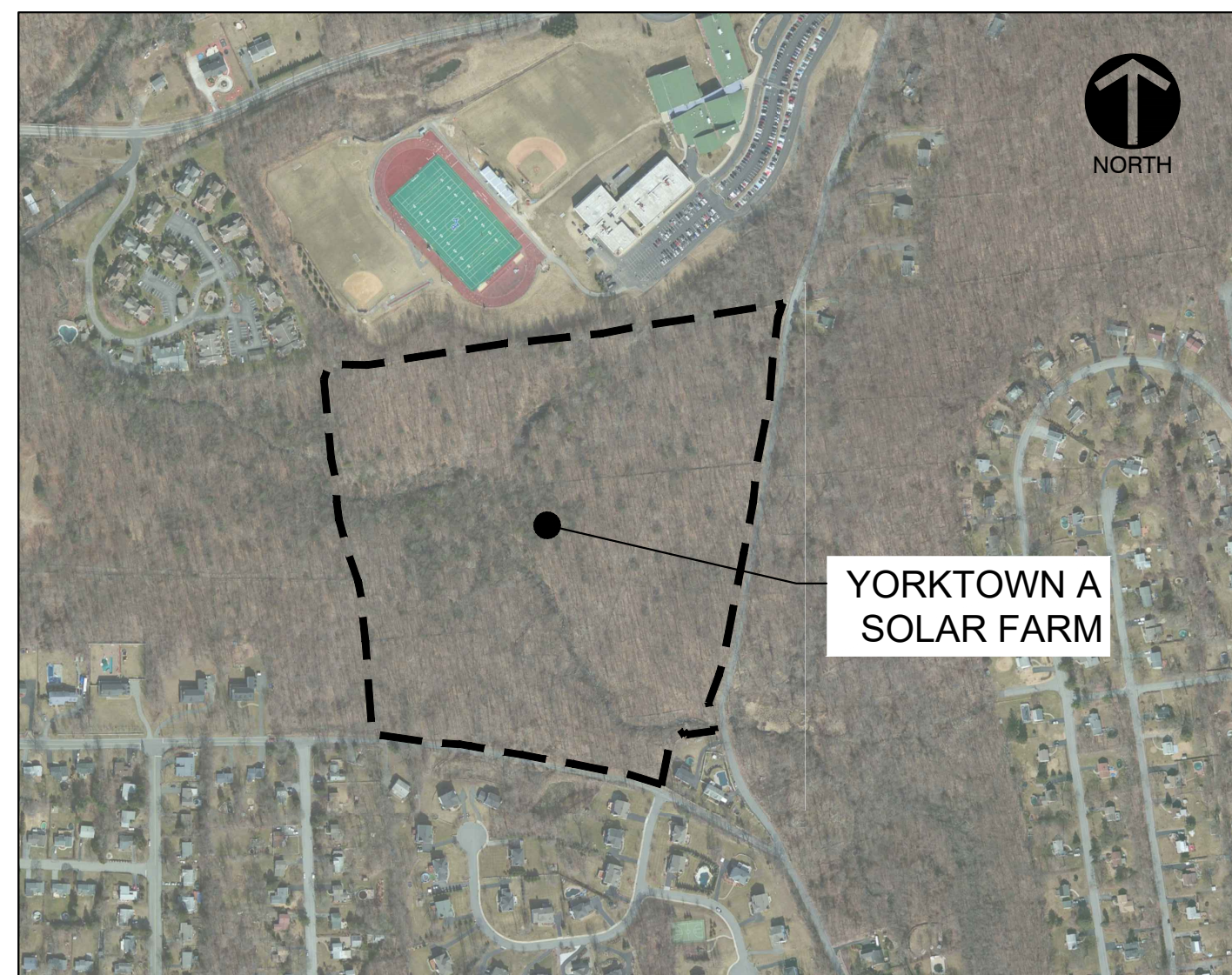


CON EDISON CLEAN ENERGY BUSINESSES, INC.

YORKTOWN A SOLAR FARM SITE PLANS

FOOTHILL STREET
TOWN OF YORKTOWN



LOCATION MAP
1"=500'

SHEET INDEX			
C000	SHEET 1 OF	14	COVER SHEET
C001	SHEET 2 OF	14	OVERALL SITE PLAN
C002	SHEET 3 OF	14	SITE PLAN
C003	SHEET 4 OF	14	GRADING / SWPPP PLAN
C004	SHEET 5 OF	14	DETAILED GRADING PLAN
C005	SHEET 6 OF	14	DRIVEWAY DETAILS
C006	SHEET 7 OF	14	LANDSCAPING & PLANTING FOR MITIGATION PLAN
C007	SHEET 8 OF	14	PHASING PLAN
C008	SHEET 9 OF	14	GENERAL NOTES
C009	SHEET 10 OF	14	EROSION & SEDIMENT CONTROL DETAILS
C010	SHEET 11 OF	14	EROSION & SEDIMENT CONTROL DETAILS
C011	SHEET 12 OF	14	SITE DETAILS
C012 & C013	SHEET 13 & 14 OF	14	CONSTRUCTION DETAILS

PROJECT INFORMATION:

LATITUDE: 41.333 N
LONGITUDE: 73.859 W

TOWN: YORKTOWN
COUNTY: WESTCHESTER
STATE: NEW YORK

PROJECT OWNER/APPLICANT:

CON EDISON CLEAN ENERGY BUSINESSES, INC.
100 SUMMIT LAKE DRIVE
VALHALLA, NY 10595
PH: (973) 600-4328
CONTACT: JOE SHANAHAN

PREPARED BY:

BERGMANN
2 WINNERS CIRCLE, SUITE 102
ALBANY, NY 12205
PH: (518) 862-0325
CONTACT: ERIC REDDING, P.E.

YORKTOWN A SOLAR FARM

FOOTHILL STREET

TOWN OF YORKTOWN
WESTCHESTER COUNTY
NEW YORK

**CON EDISON CLEAN
ENERGY BUSINESSES, INC.**

100 SUMMIT LAKE DRIVE
VALHALLA, NY 10595



Bergmann Associates, Architects, Engineers,
Landscape Architects & Surveyors, D.P.C.
2 Winners Circle, Suite 102
Albany, NY 12205

office: 518.862.0325

www.bergmannpc.com

REVISIONS				
NO.	DATE	DESCRIPTION	REV.	CKD
1	1/28/2021	PLAN REVISIONS	WD	ECR
2	11/22/2021	PLAN REVISIONS	WD	ECR

**PRELIMINARY
NOT FOR CONSTRUCTION**



Copyright © Bergmann Associates, Architects, Engineers,
Landscape Architects & Surveyors, D.P.C.

Note:
Unauthorized alteration or addition to this drawing is a violation of
the New York State Education Law Article 145, Section 7209.

ECR	ECR
Designed By WD	Drawn By WD
Date Issued OCTOBER 27, 2020	Scale AS NOTED
Project Number: 14847.00	

CALL BEFORE YOU DIG!
NEW YORK LAW REQUIRES
NOTICE AT LEAST 2 FULL WORKING DAYS,
BUT NOT MORE THAN 10 FULL WORKING DAYS,
BEFORE EXCAVATION IS SCHEDULED TO BEGIN.
Dig|Safely. New York
 1-800-962-7962

COVER SHEET

C000

YORKTOWN A SOLAR FARM

FOOTHILL STREET

TOWN OF YORKTOWN
WESTCHESTER COUNTY
NEW YORK

CON EDISON CLEAN ENERGY BUSINESSES, INC.

100 SUMMIT LAKE DRIVE
VALHALLA, NY 10595

BERGMANN
ARCHITECTS ENGINEERS PLANNERS

Bergmann Associates, Architects, Engineers,
Landscape Architects & Surveyors, D.P.C.
2 Winners Circle, Suite 102
Albany, NY 12205

office: 518.862.0325

www.bergmannpc.com

REVISIONS

NO.	DATE	DESCRIPTION	REV.	CK'D
1	1/28/2021	PLAN REVISIONS	WD	ECR
2	11/22/2021	PLAN REVISIONS	WD	ECR

**PRELIMINARY
NOT FOR CONSTRUCTION**



Copyright © Bergmann Associates, Architects, Engineers,
Landscape Architects & Surveyors, D.P.C.

Note:
Unauthorized alteration or addition to this drawing is a violation of
the New York State Education Law Article 145, Section 7209.

ECR	ECR
Checked By:	Drawn By:
WD	WD
Date Issued:	Scale:
OCTOBER 27, 2020	1"=100'
Project Number:	
14847.00	

OVERALL SITE PLAN

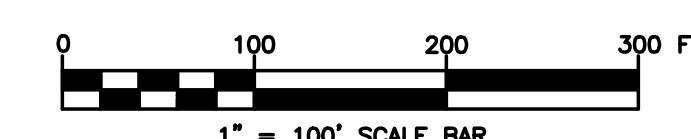
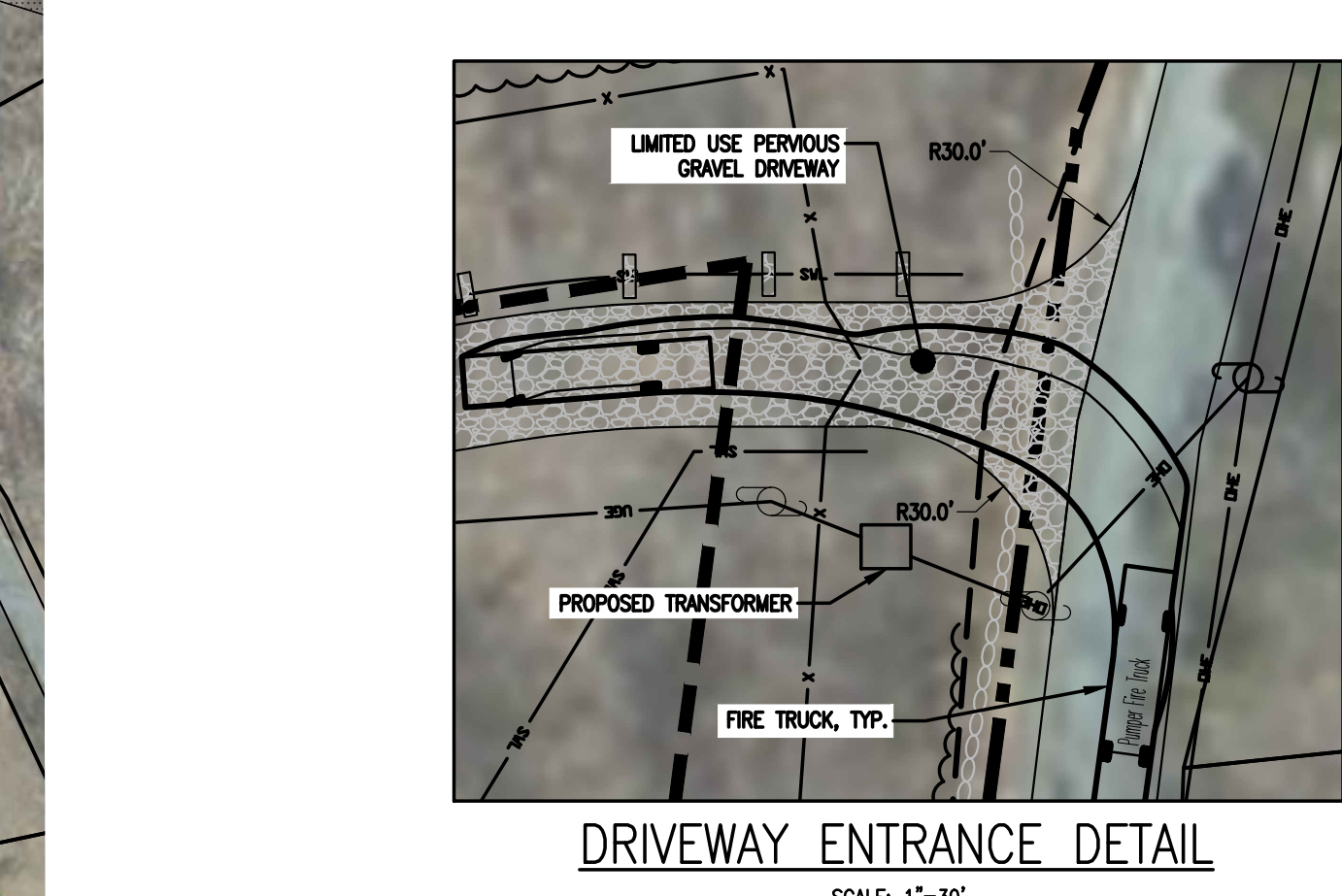
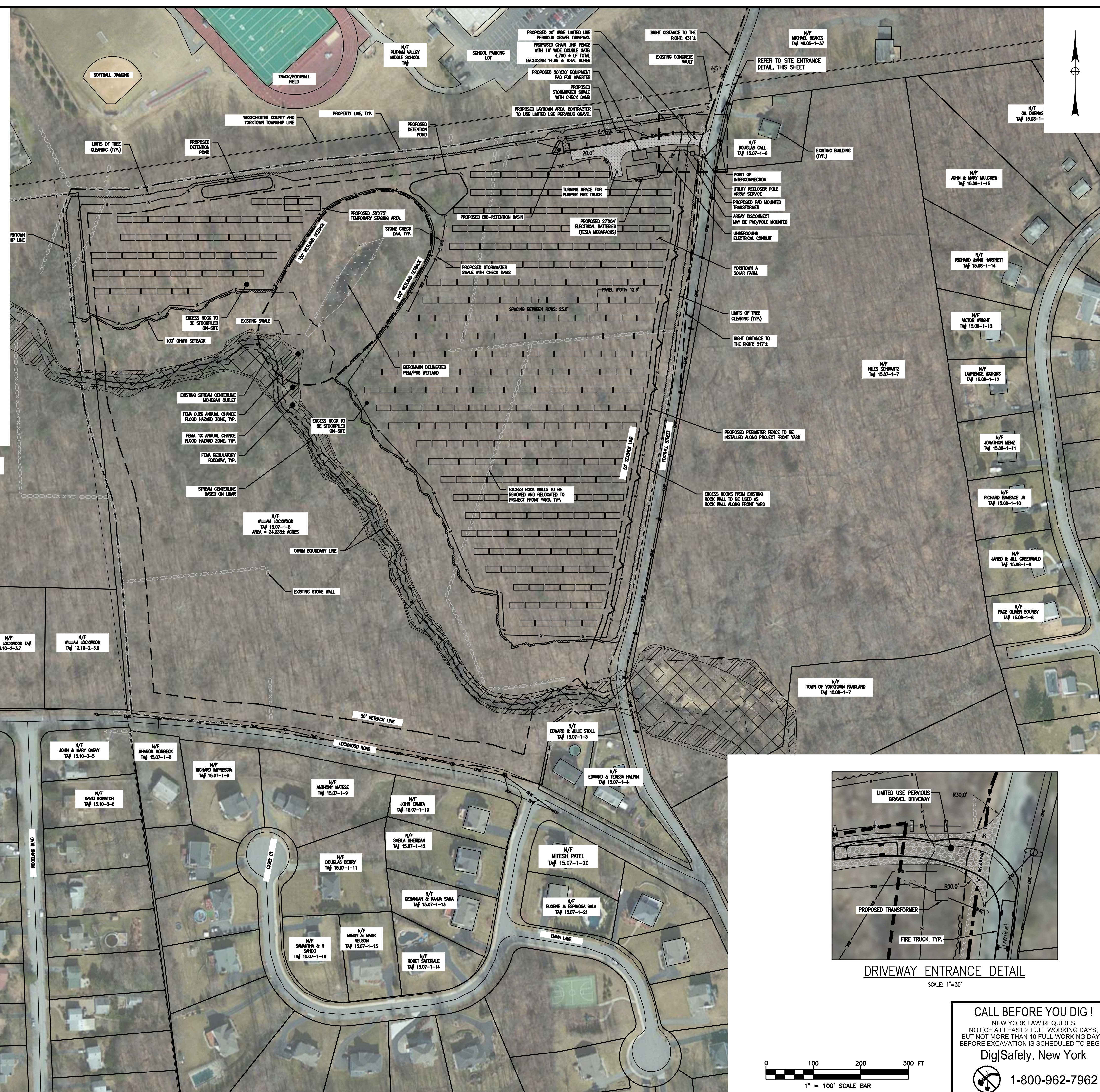
Drawing Number:

C001

2 of 14

LEGEND:

	PROPERTY LINE SETBACK - 50 FEET
	PROPERTY/R.O.W. LINE
	EXISTING LOT LINE ADJUSTMENT
	PROPOSED GRAVEL DRIVEWAY
	FEMA 1% ANNUAL CHANCE FLOOD HAZARD
	FEMA 0.2% ANNUAL CHANCE FLOOD HAZARD
	EXISTING FEMA REGULATORY FLOODWAY
	EXISTING ROAD
	ADJ. PROPERTY/R.O.W. LINE (SURVEYED)
	FENCE LINE
	CONTOUR - MAJOR
	CONTOUR - MINOR
	EXISTING VEGETATION
	EXISTING ROCK WALL
	PROPOSED LIMITS OF TREE CLEARING
	BERGMANN DELINEATED PALUSTRINE EMERGENT WETLAND (PEM) / PALUSTRINE SCRUB SHRUB WETLAND (PSS)
	Q STREAM
	100' WETLAND BUFFER
	PROPOSED ROCK WALL
	PROPOSED SCREENING TREES
	PROPOSED SWALE



CALL BEFORE YOU DIG!
NEW YORK LAW REQUIRES
NOTICE AT LEAST 2 FULL WORKING DAYS,
BUT NOT MORE THAN 10 FULL WORKING DAYS,
BEFORE EXCAVATION IS SCHEDULED TO BEGIN.
DigSafely. New York
1-800-962-7962

11/23/2021 3:04 PM M:\Con Edison\CEB\014847.00 Con Edison CEB - Yorktown A Solar Farm\k.d Dwg\k.d C:\1114847.00 Site Plan.dwg

SITE PLAN DATA TABLE

SITE IS LOCATED IN THE "R1-40" RESIDENTIAL ZONING DISTRICT.

PROPOSED USE: SOLAR

PARCEL 15.07-1-5
TOWN OF YORKTOWN, COUNTY OF WESTCHESTER
STATE OF NEW YORK

APPLICANT: CON EDISON CLEAN ENERGY BUSINESSES, INC.
100 SUMMIT LAKE DRIVE
VALHALLA NY, 10595
(978) 888-4088

OWNER(S) OF RECORD: WILLIAM LOCKWOOD

PLANS PREPARED BY:
BERGMANN
2 WINNERS CIRCLE, SUITE 102
ALBANY, NY 12205
(518) 862-0325

DESCRIPTION	REQUIRED	PROPOSED
MIN. LOT SIZE	2 AC.	34.2± AC.
MIN. LOT WIDTH	150 FT	1,011± FT
MIN. LOT DEPTH	150 FT	1,114± FT
MIN. SIDE YARD SETBACK	50 FT	60± FT
MIN. FRONT YARD SETBACK	50 FT	55± FT
MIN. REAR YARD SETBACK	50 FT	50± FT
MAX. PANEL HEIGHT	15 FT	12± FT
MAX. LOT COVERAGE (INCLUDING PANELS)	80%	11.3± %

YORKTOWN A SOLAR FARM

FOOTHILL STREET

TOWN OF YORKTOWN
WESTCHESTER COUNTY
NEW YORK

**CON EDISON CLEAN
ENERGY BUSINESSES, INC.**

100 SUMMIT LAKE DRIVE
VALHALLA, NY 10595



Bergmann Associates, Architects, Engineers,
Landscape Architects & Surveyors, D.P.C.
2 Winners Circle, Suite 102
Albany, NY 12205

office: 518.862.0325

www.bergmannpc.com

REVISIONS				
NO.	DATE	DESCRIPTION	REV.	CKD
1	1/28/2021	PLAN REVISIONS	WD	ECR
2	11/22/2021	PLAN REVISIONS	WD	ECR

**PRELIMINARY
NOT FOR CONSTRUCTION**



Copyright © Bergmann Associates, Architects, Engineers,
Landscape Architects & Surveyors, D.P.C.

Note:
Unauthorized alteration or addition to this drawing is a violation of
the New York State Education Law Article 145, Section 7209.

ECR	ECR
WD	WD
Date Issued: OCTOBER 27, 2020	Scale: 1"=80'
Project Number: 14847.00	

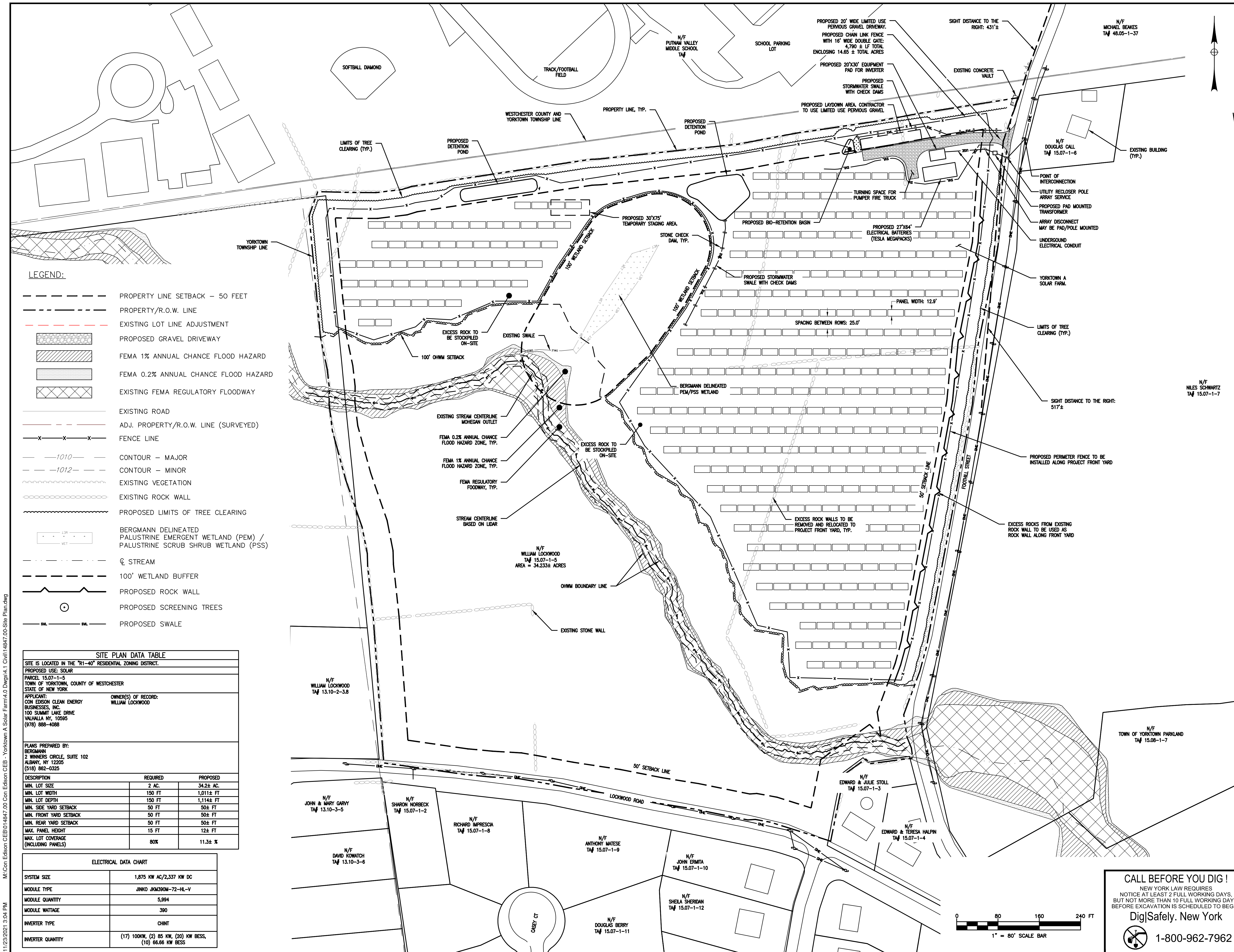
SITE PLAN

CALL BEFORE YOU DIG!
NEW YORK LAW REQUIRES
NOTICE AT LEAST 2 FULL WORKING DAYS,
BUT NOT MORE THAN 10 FULL WORKING DAYS,
BEFORE EXCAVATION IS SCHEDULED TO BEGIN.

Dig|Safely. New York

1-800-962-7962

C002



LEGEND:

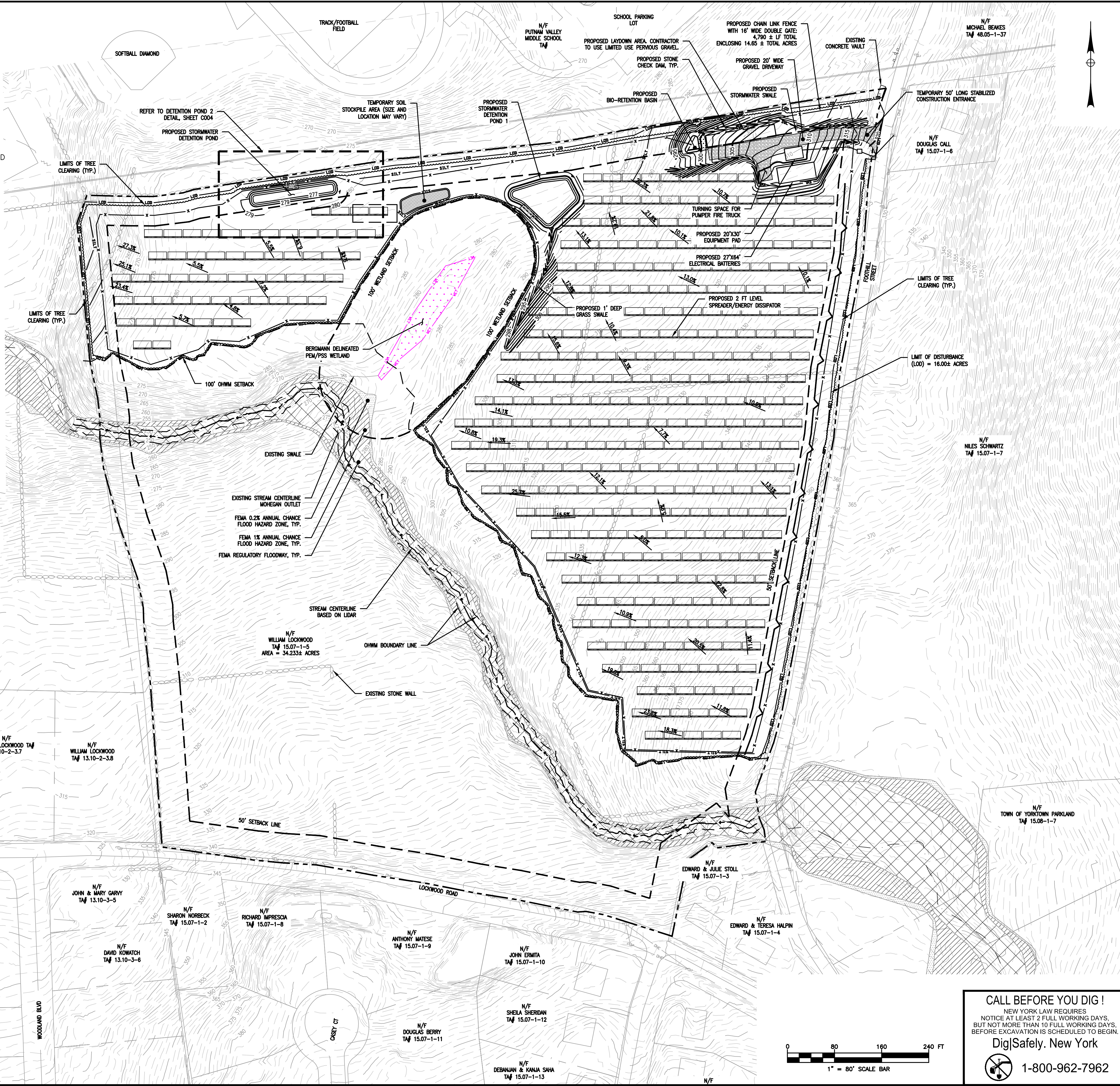
- PROPERTY LINE SETBACK - 50 FEET
- PROPERTY/R.O.W. LINE
- - - EXISTING LOT LINE ADJUSTMENT
- [Pattern] PROPOSED GRAVEL DRIVEWAY
- [Pattern] FEMA 1% ANNUAL CHANCE FLOOD HAZARD
- [Pattern] FEMA 0.2% ANNUAL CHANCE FLOOD HAZARD
- [Pattern] EXISTING FEMA REGULATORY FLOODWAY
- EXISTING ROAD
- - - ADJ. PROPERTY/R.O.W. LINE (SURVEYED)
- x - x - x - FENCE LINE
- - - 1010 CONTOUR - MAJOR
- - - 1012 CONTOUR - MINOR
- [Pattern] EXISTING VEGETATION
- [Pattern] EXISTING ROCK WALL
- [Pattern] PROPOSED LIMITS OF TREE CLEARING
- [Pattern] BERGMANN DELINEATED PALUSTRINE EMERGENT WETLAND (PEM) / PALUSTRINE SCRUB SHRUB WETLAND (PSS)
- ⊙ STREAM
- - - 100' WETLAND BUFFER
- [Pattern] PROPOSED ROCK WALL
- ⊙ PROPOSED SCREENING TREES
- - - PROPOSED SWALE

SITE PLAN DATA TABLE		
SITE IS LOCATED IN THE "R1-40" RESIDENTIAL ZONING DISTRICT.		
PROPOSED USE: SOLAR		
PARCEL 15.07-1-5		
TOWN OF YORKTOWN, COUNTY OF WESTCHESTER		
STATE OF NEW YORK		
APPLICANT: CON EDISON CLEAN ENERGY BUSINESSES, INC. 100 SUMMIT LAKE DRIVE VALHALLA, NY, 10595 (878) 868-4088	OWNER(S) OF RECORD: WILLIAM LOCKWOOD	
PLANS PREPARED BY: BERGMANN 12 WINNERS CIRCLE, SUITE 102 ALBANY, NY 12205 (518) 862-0325		
DESCRIPTION	REQUIRED	PROPOSED
MIN. LOT SIZE	2 AC.	34.2± AC.
MIN. LOT WIDTH	150 FT	1,011± FT
MIN. LOT DEPTH	150 FT	1,114± FT
MIN. SIDE YARD SETBACK	50 FT	50± FT
MIN. FRONT YARD SETBACK	50 FT	50± FT
MIN. REAR YARD SETBACK	50 FT	50± FT
MAX. PANEL HEIGHT	15 FT	12± FT
MAX. LOT COVERAGE (INCLUDING PANELS)	80%	11.3± %

ELECTRICAL DATA CHART	
SYSTEM SIZE	1,875 KW AC/2,337 KW DC
MODULE TYPE	JINKO JK6390M-72-HL-V
MODULE QUANTITY	5,994
MODULE WATTAGE	390
INVERTER TYPE	CHINT
INVERTER QUANTITY	(17) 100KW, (2) 85 KW, (20) KW BESS, (10) 66.66 KW BESS

11/23/2021 3:04 PM M:\Con Edison CEB\014847\200 Con Edison CEB - Yorktown A Solar Farm\k.d Dwg\k.d Civil\14847.00 Site Plan.dwg

- LEGEND:**
- PROPERTY LINE SETBACK - 50 FEET
 - - - PROPERTY/R.O.W. LINE (SURVEYED)
 - - - EXISTING LOT LINE ADJUSTMENT
 - [Pattern] PROPOSED GRAVEL DRIVEWAY
 - [Pattern] PROPOSED ASPHALT PAVEMENT
 - [Pattern] FEMA 1% ANNUAL CHANCE FLOOD HAZARD
 - [Pattern] FEMA 0.2% ANNUAL CHANCE FLOOD HAZARD
 - [Pattern] EXISTING FEMA REGULATORY FLOODWAY
 - EXISTING ROAD
 - - - ADJ. PROPERTY/R.O.W. LINE (SURVEYED)
 - x - x - FENCE LINE
 - - - EXISTING CONTOUR - MAJOR
 - - - EXISTING CONTOUR - MINOR
 - - - PROPOSED CONTOUR - MAJOR
 - - - PROPOSED CONTOUR - MINOR
 - [Pattern] EXISTING VEGETATION
 - [Pattern] EXISTING ROCK WALL
 - [Pattern] PROPOSED LIMITS OF TREE CLEARING
 - [Pattern] BERGMANN DELINEATED PALUSTRINE EMERGENT WETLAND (PEM) / PALUSTRINE SCRUB SHRUB WETLAND (PSS)
 - Q STREAM
 - - - 100' WETLAND BUFFER
 - - - LIMITS OF DISTURBANCE LINE
 - - - SILT SOCK
 - - - LEVEL SPREADER/ENERGY DISSIPATOR



YORKTOWN A SOLAR FARM

FOOTHILL STREET

TOWN OF YORKTOWN
WESTCHESTER COUNTY
NEW YORK

CON EDISON CLEAN ENERGY BUSINESSES, INC.

100 SUMMIT LAKE DRIVE
VALHALLA, NY 10595



Bergmann Associates, Architects, Engineers, Landscape Architects & Surveyors, D.P.C.
2 Winners Circle, Suite 102
Albany, NY 12205

office: 518.862.0325

www.bergmannpc.com

REVISIONS				
NO.	DATE	DESCRIPTION	REV.	CKD
1	1/28/2021	PLAN REVISIONS	WD	ECR
2	11/22/2021	PLAN REVISIONS	WD	ECR

PRELIMINARY NOT FOR CONSTRUCTION

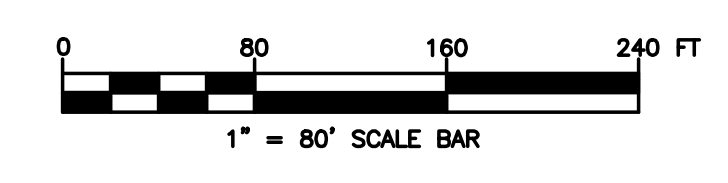


Copyright © Bergmann Associates, Architects, Engineers, Landscape Architects & Surveyors, D.P.C.

Note: Unauthorized alteration or addition to this drawing is a violation of the New York State Education Law Article 145, Section 7209.

Prepared By:		Checked By:	
ECR	ECR	WD	WD
Designed By:	Drawn By:	Date Issued:	Scale:
WD	WD	OCTOBER 27, 2020	1" = 80'
Project Number: 14847.00			

CALL BEFORE YOU DIG!
NEW YORK LAW REQUIRES NOTICE AT LEAST 2 FULL WORKING DAYS, BUT NOT MORE THAN 10 FULL WORKING DAYS, BEFORE EXCAVATION IS SCHEDULED TO BEGIN.
Dig|Safely. New York
1-800-962-7962



GRADING / SWPPP PLAN

C003

11/23/2021 1:47 PM M:\Con Edison CEB\014847\00 Con Edison CEB - Yorktown A Solar Farm\A0 Dwg\A1 Civil\14847\00 Grading SWPPP.dwg

YORKTOWN A SOLAR FARM

FOOTHILL STREET

TOWN OF YORKTOWN
WESTCHESTER COUNTY
NEW YORK

**CON EDISON CLEAN
ENERGY BUSINESSES, INC.**

100 SUMMIT LAKE DRIVE
VALHALLA, NY 10595



Bergmann Associates, Architects, Engineers,
Landscape Architects & Surveyors, D.P.C.
2 Winners Circle, Suite 102
Albany, NY 12205

office: 518.862.0325

www.bergmannpc.com

REVISIONS				
NO.	DATE	DESCRIPTION	REV.	CK'D
1	1/28/2021	PLAN REVISIONS	WD	ECR
2	11/22/2021	PLAN REVISIONS	WD	ECR

**PRELIMINARY
NOT FOR CONSTRUCTION**



Copyright © Bergmann Associates, Architects, Engineers,
Landscape Architects & Surveyors, D.P.C.

Note:
Unauthorized alteration or addition to this drawing is a violation of
the New York State Education Law Article 145, Section 7209.

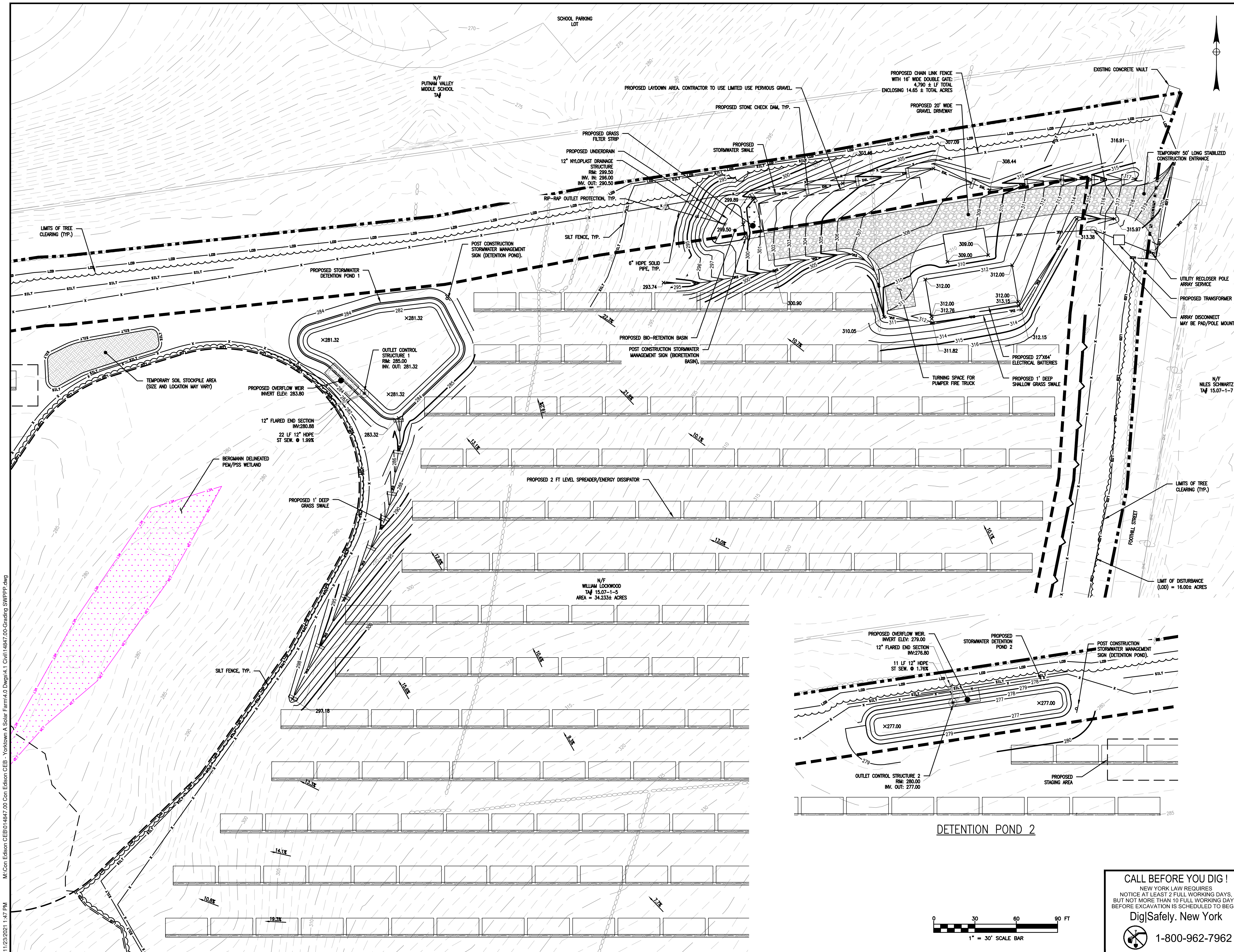
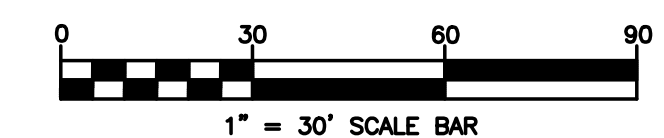
Prepared By: ECR	Checked By: ECR
Designed By: WD	Drawn By: WD
Date Issued: OCTOBER 27, 2020	Scale: 1"=30'
Project Number: 14847.00	

DETAILED GRADING PLAN

CALL BEFORE YOU DIG!
NEW YORK LAW REQUIRES
NOTICE AT LEAST 2 FULL WORKING DAYS,
BUT NOT MORE THAN 10 FULL WORKING DAYS,
BEFORE EXCAVATION IS SCHEDULED TO BEGIN.

Dig|Safely. New York

1-800-962-7962



11/23/2021 1:47 PM
 M:\Con Edison\CEB\014847\200 Con Edison CEB - Yorktown A Solar Farm\4.0 Dwg\4.1 Civil\14847.00-Grading SWPPP.dwg

YORKTOWN A SOLAR FARM

FOOTHILL STREET

TOWN OF YORKTOWN
WESTCHESTER COUNTY
NEW YORK

CON EDISON CLEAN ENERGY BUSINESSES, INC.

100 SUMMIT LAKE DRIVE
VALHALLA, NY 10595



Bergmann Associates, Architects, Engineers,
Landscape Architects & Surveyors, D.P.C.
2 Winners Circle, Suite 102
Albany, NY 12205

office: 518.862.0325

www.bergmannpc.com

REVISIONS

NO.	DATE	DESCRIPTION	REV.	CKD
1	1/28/2021	PLAN REVISIONS	WD	ECR
2	11/22/2021	PLAN REVISIONS	WD	ECR

**PRELIMINARY
NOT FOR CONSTRUCTION**



Copyright © Bergmann Associates, Architects, Engineers,
Landscape Architects & Surveyors, D.P.C.

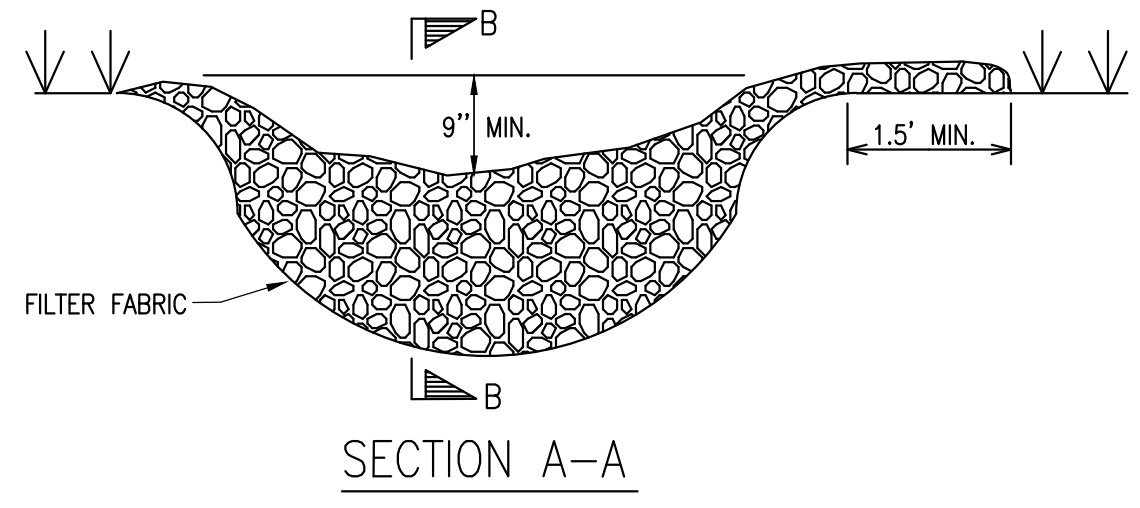
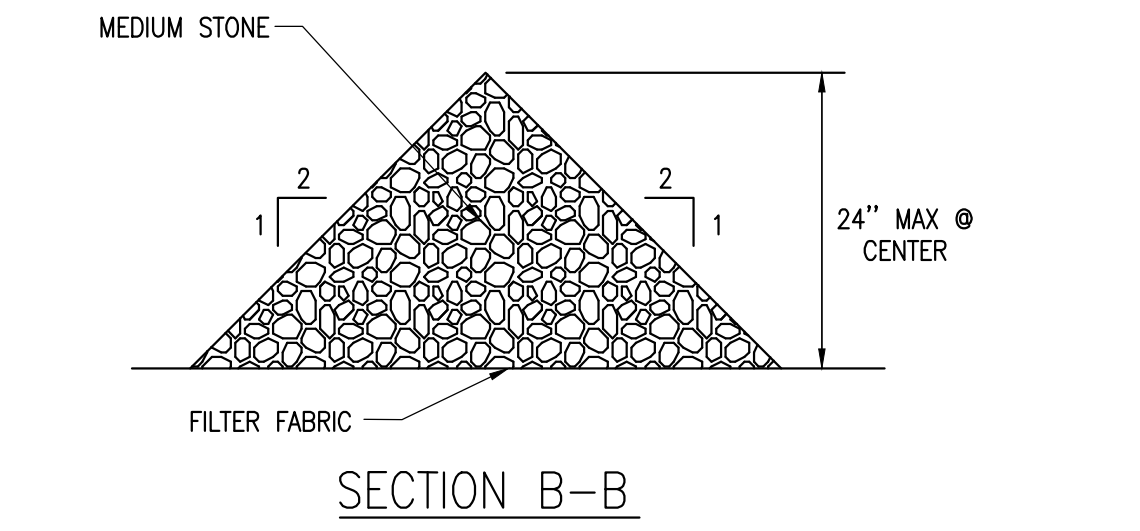
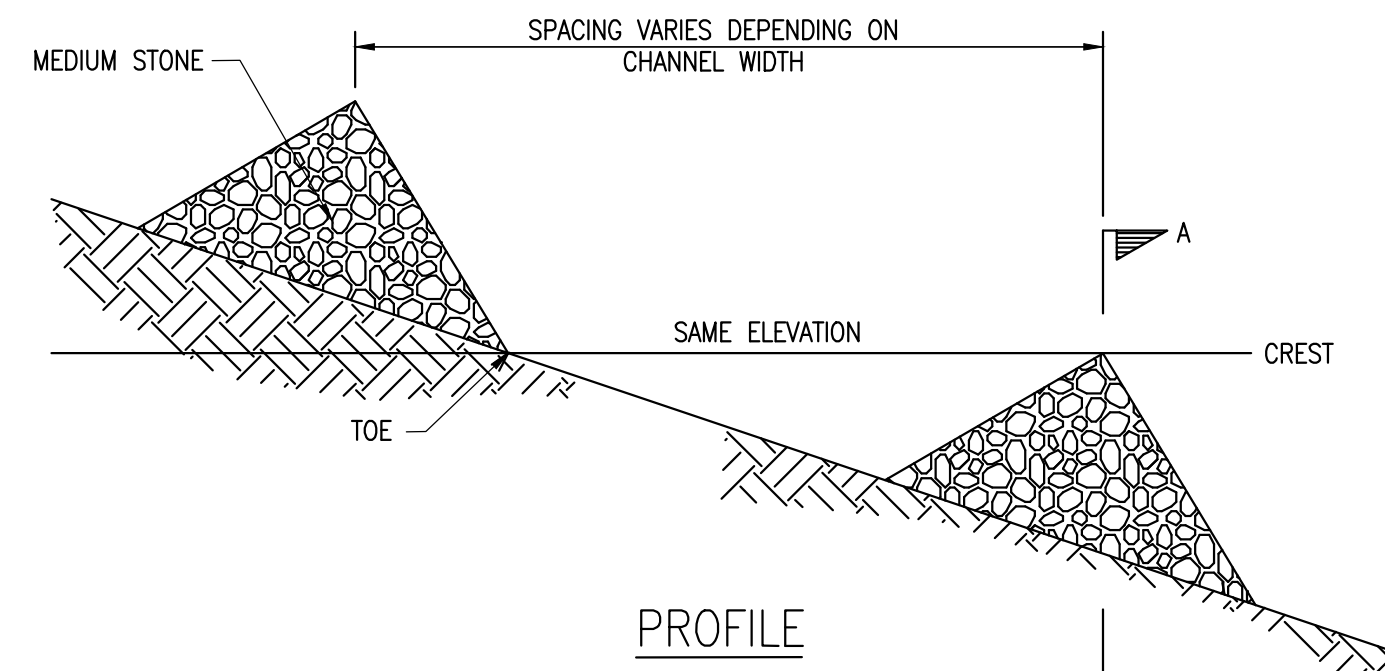
Note:
Unauthorized alteration or addition to this drawing is a violation of
the New York State Education Law Article 145, Section 7209.

Prepared By:	Checked By:
ECR	ECR
Designed By:	Drawn By:
WD	WD
Date Issued:	Scale:
OCTOBER 27, 2020	AS NOTED
Project Number:	
14847.00	

DRIVEWAY DETAILS

CALL BEFORE YOU DIG!
NEW YORK LAW REQUIRES
NOTICE AT LEAST 2 FULL WORKING DAYS,
BUT NOT MORE THAN 10 FULL WORKING DAYS,
BEFORE EXCAVATION IS SCHEDULED TO BEGIN.
Dig|Safely. New York
1-800-962-7962

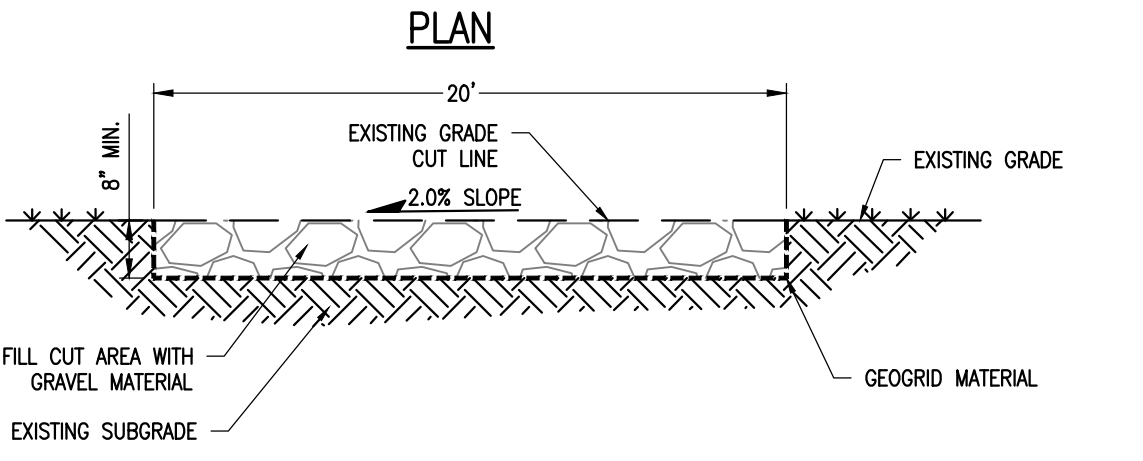
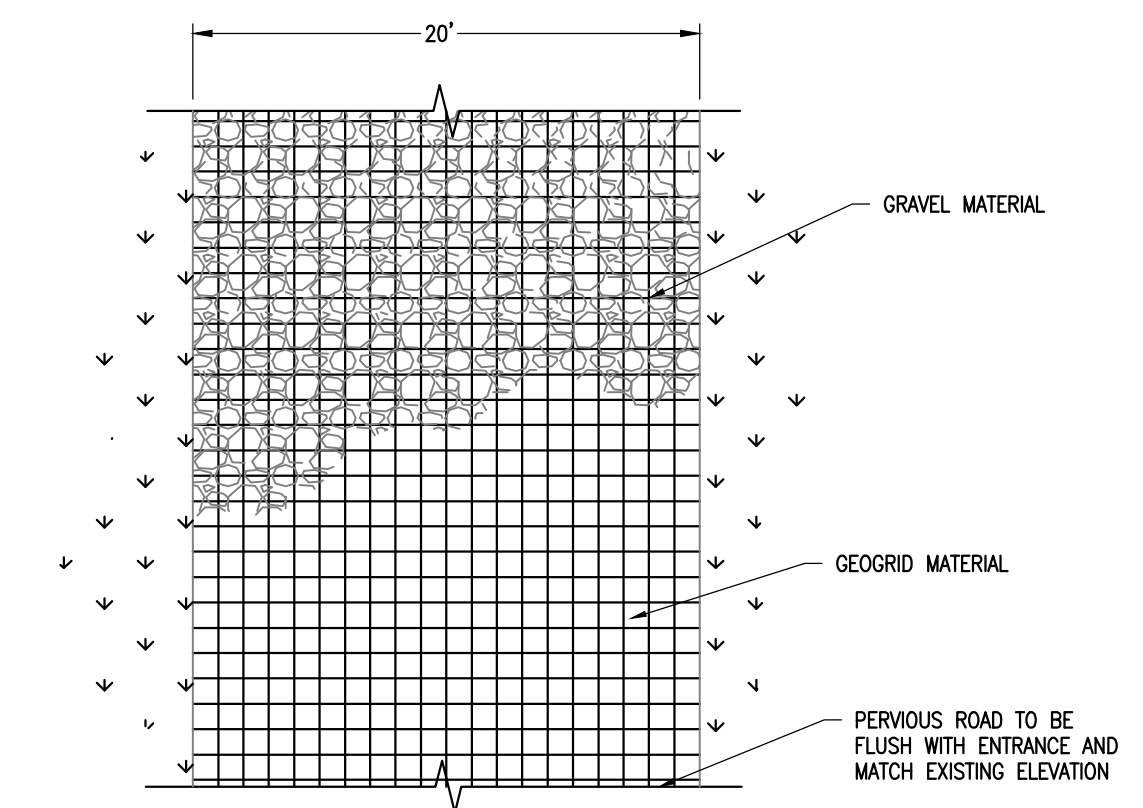
C005



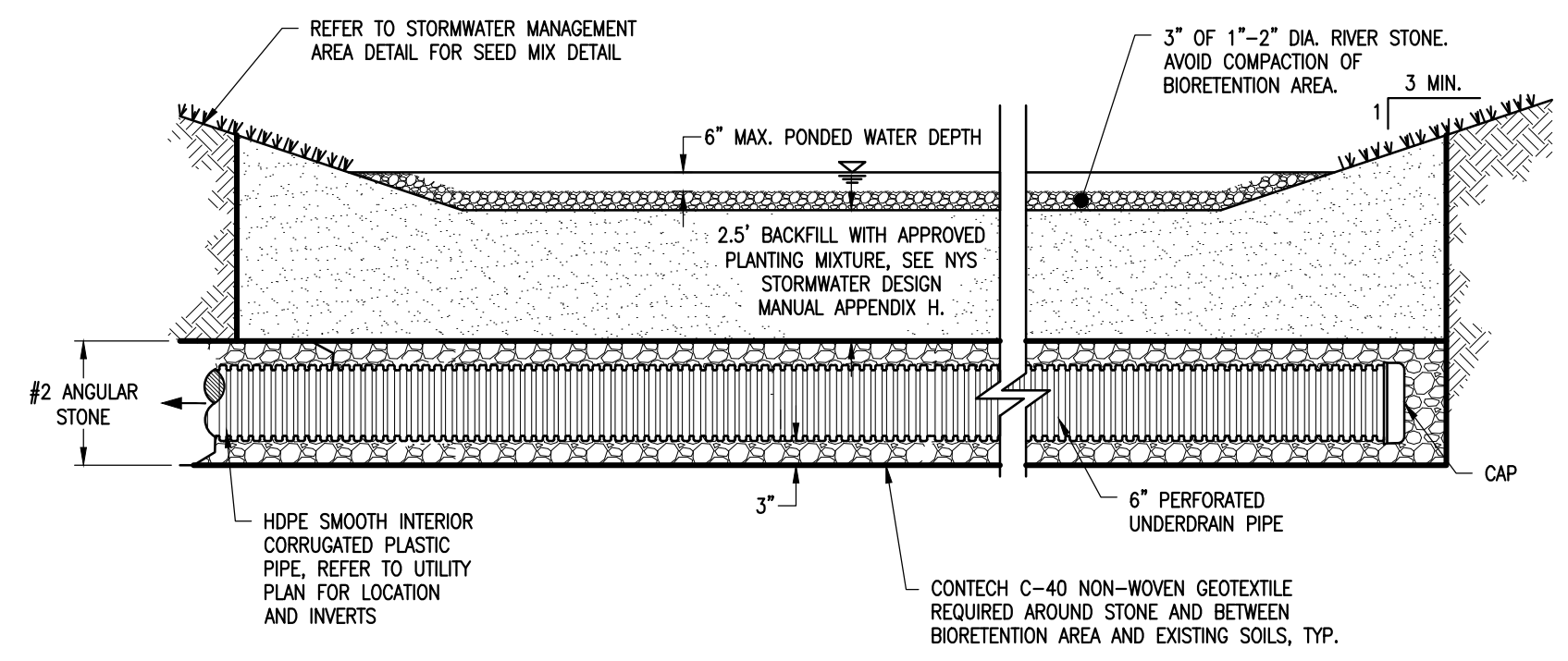
- CONSTRUCTION SPECIFICATIONS**
- STONE WILL BE PLACED ON A FILTER FABRIC FOUNDATION TO THE LINES GRADES AND LOCATIONS SHOWN ON THE PLAN.
 - SET SPACING OF CHECK DAMS TO ASSUME THAT THE ELEVATIONS OF THE CREST OF THE DOWNSTREAM DAM IS AT THE SAME ELEVATION OF THE TOE OF THE UPSTREAM DAM.
 - EXTEND THE STONE A MINIMUM OF 1.5' BEYOND THE DITCH BANKS TO PREVENT CUTTING AROUND THE DAM.
 - PROTECT THE CHANNEL DOWNSTREAM OF THE LOWEST CHECK DAM FROM SCOUR AND EROSION WITH STONE OR LINER AS APPROPRIATE.
 - ENSURE THAT CHANNEL APPURTENANCES SUCH AS CULVERT ENTRANCES BELOW CHECK DAMS ARE NOT SUBJECT TO DAMAGE OR BLOCKAGE FROM DISPLACED STONES.

LIGHT STONE CHECK DAM
NOT TO SCALE

- GEOGRID MATERIAL NOTES:**
- THE GEOGRID, OR COMPARABLE PRODUCT, IS INTENDED FOR USE IN ALL CONDITIONS, IN ORDER TO ASSIST IN MATERIAL SEPARATION FROM NATIVE SOILS AND PRESERVE ACCESS LOADS.
 - GRAVEL FILL MATERIAL SHALL CONSIST OF 1-4" CLEAN, DURABLE, SHARP ANGLED CRUSHED STONE OF UNIFORM QUALITY, MEETING THE SPECIFICATION OF NYSDOT 703-02, SIZE DESIGNATION 3-5 OF TABLE 703-4. STONE MAY BE PLACED IN FRONT OF AND SPREAD WITH A TRACKED VEHICLE. GRAVEL SHALL NOT BE COMPACTED.
 - GEOGRID SHALL BE MIRAFI BX110 OR APPROVED EQUAL. GEOGRID SHALL BE DESIGNED BASED ON EXISTING SOIL CONDITIONS AND PROPOSED HAUL ROAD SLOPES.
 - IF MORE THAN ONE ROLL WIDTH IS REQUIRED, ROLLS SHOULD OVERLAP A MINIMUM OF SIX INCHES.
 - REFER TO MANUFACTURER'S SPECIFICATION FOR PROPER TYING AND CONNECTIONS.
 - LIMITED USE PERVIOUS ACCESS ROAD SHALL BE DRESSED AS REQUIRED WITH ONLY 1-4" CRUSHED STONE MEETING NYSDOT 703-02 SPECIFICATIONS.
- BASIS OF DESIGN:** TENCATE MIRAFI BX110 GEOGRIDS; 365 SOUTH HOLLAND DRIVE, PENDERGRASS, GA; 800-685-9990 OR 706-693-2226; WWW.MIRAFI.COM
- WOVEN GEOTEXTILE MATERIAL NOTES:**
- SPECIFIED GEOTEXTILE WILL ONLY BE UTILIZED IN PLACID SOILS. PLACID SOILS CONSIST OF POORLY DRAINED SOILS COMPOSED OF FINELY TEXTURED PARTICLES AND ARE PRONE TO RUTTING. PLACID SOILS ARE TYPICALLY PRESENT IN LOW-LYING AREAS WITH HYDROLOGIC SOILS GROUP (HSG) OF C OR D OR AS SPECIFIED FROM AN ENVIRONMENTAL SCIENTIST, SOIL SCIENTIST OR GEOTECHNICAL DATA.
 - THE CONCERN OF POTENTIAL REDUCTION OF NATIVE INFILTRATION RATES DUE TO THE GEOTEXTILE MATERIAL WOULD NOT BE A SIGNIFICANT CONCERN IN POORLY DRAINED SOILS WHERE SEGREGATION OF PERVIOUS STONE AND NATIVE MATERIALS IS CRUCIAL FOR LONG TERM OPERATION AND MAINTENANCE.
- BASIS OF DESIGN:** TENCATE MIRAFI RSI-SERIES WOVEN GEOSYNTHETICS; 365 SOUTH HOLLAND DRIVE, PENDERGRASS, GA; 800-685-9990 OR 706-693-2226; WWW.MIRAFI.COM



LIMITED USE PERVIOUS ACCESS ROAD - 0% TO 10% SLOPES
NO SCALE



BIORETENTION AREA DETAIL
N.T.S.

M:\Con Edison CEB\014847.00 Con Edison CEB - Yorktown A Solar Farm\4.0 Dwg\4.1 CIV\114847.00 Grading SWPPP.dwg 11/23/2021 1:47 PM

YORKTOWN A SOLAR FARM

FOOTHILL STREET

TOWN OF YORKTOWN
WESTCHESTER COUNTY
NEW YORK

**CON EDISON CLEAN
ENERGY BUSINESSES, INC.**

100 SUMMIT LAKE DRIVE
VALHALLA, NY 10595

B BERGMANN
ARCHITECTS ENGINEERS PLANNERS

Bergmann Associates, Architects, Engineers,
Landscape Architects & Surveyors, D.P.C.
2 Winners Circle, Suite 102
Albany, NY 12205

office: 518.862.0325

www.bergmannpc.com

REVISIONS

NO.	DATE	DESCRIPTION	REV.	CK'D
1	1/28/2021	PLAN REVISIONS	WD	ECR
2	11/22/2021	PLAN REVISIONS	WD	ECR

**PRELIMINARY
NOT FOR CONSTRUCTION**



Copyright © Bergmann Associates, Architects, Engineers,
Landscape Architects & Surveyors, D.P.C.

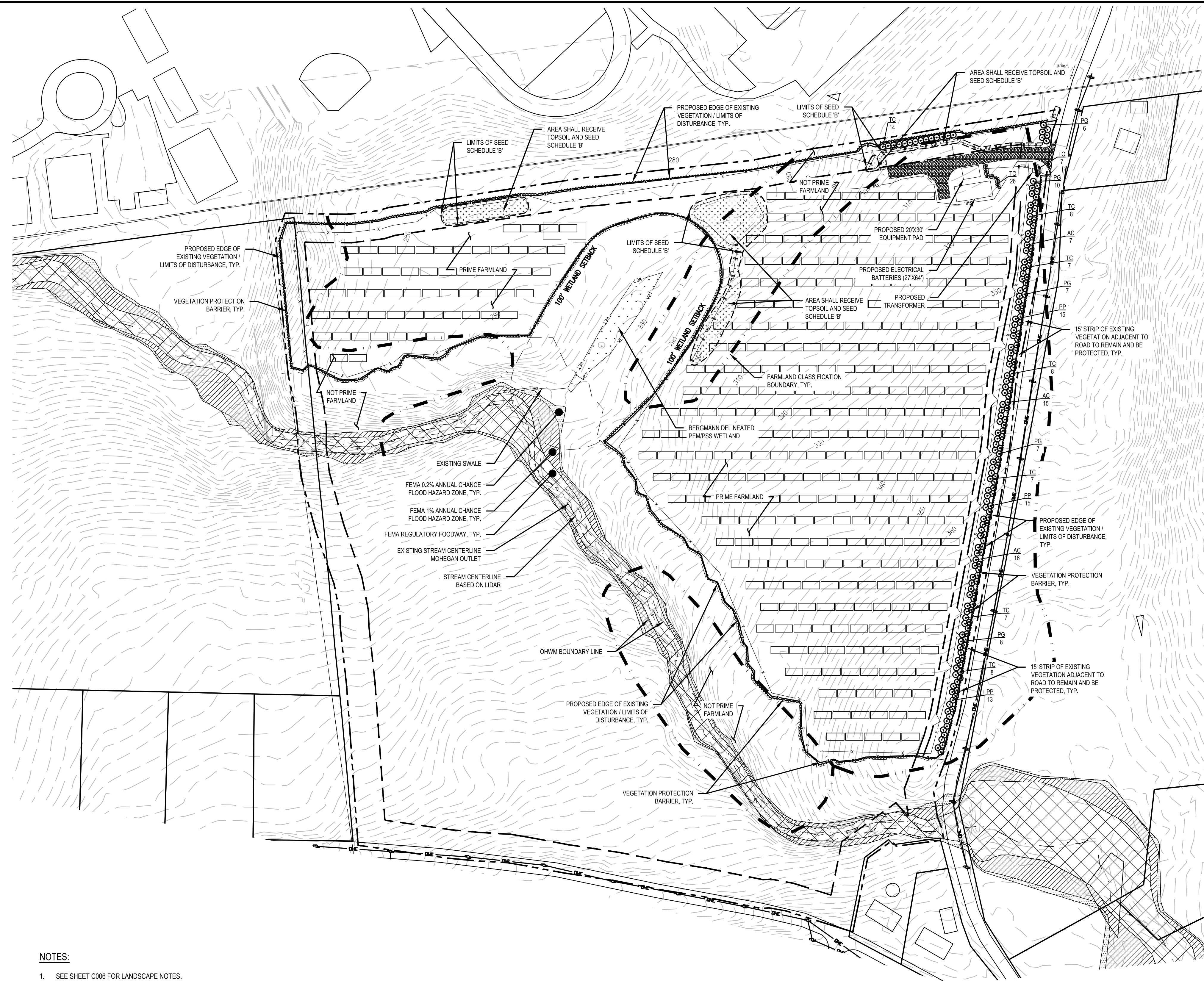
Note: Unauthorized alteration or addition to this drawing is a violation of
the New York State Education Law Article 145, Section 7209.

Project Manager:	ECR	Drawn By:	ECR
Checked By:	WD	Scale:	1"=100'
Date Issued:	OCTOBER 27, 2020	Project Number:	14847.00

**LANDSCAPING & PLANTING
FOR MITIGATION PLAN**

CALL BEFORE YOU DIG!
NEW YORK LAW REQUIRES
NOTICE AT LEAST 2 FULL WORKING DAYS,
BUT NOT MORE THAN 10 FULL WORKING DAYS,
BEFORE EXCAVATION IS SCHEDULED TO BEGIN.
Dig|Safely. New York
1-800-962-7962

C006



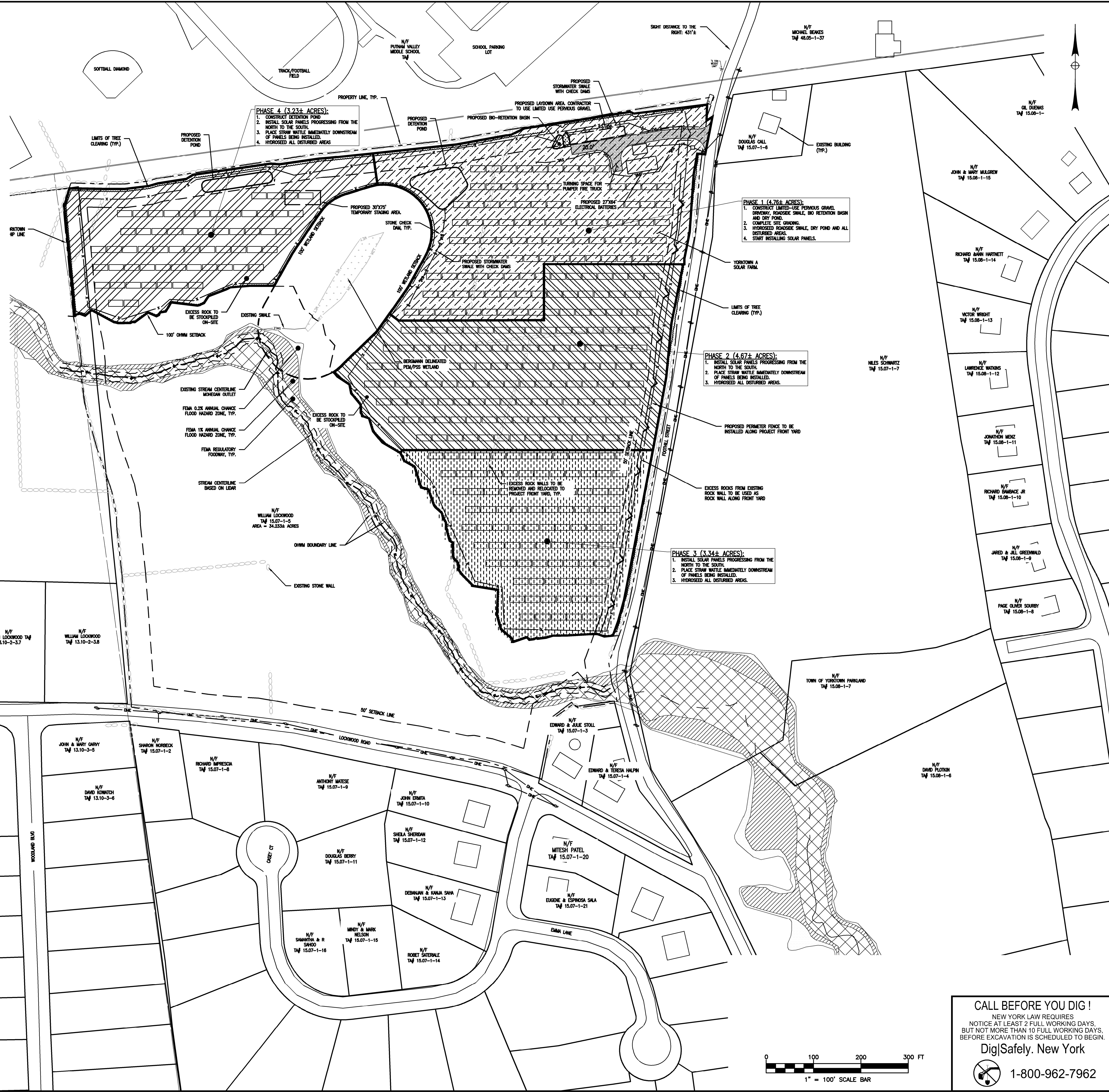
- LEGEND:**
- PROPOSED TREE PLANTING
 - VEGETATION PROTECTION BARRIER
 - SEED LIMIT LINE
 - SEED SCHEDULE 'B'
 - PROPOSED GRAVEL DRIVEWAY
 - FEMA 1% ANNUAL CHANCE FLOOD HAZARD
 - FEMA 0.2% ANNUAL CHANCE FLOOD HAZARD
 - EXISTING FEMA REGULATORY FLOODWAY
 - EXISTING ROAD
 - ADJ. PROPERTY/R.O.W. LINE (SURVEYED)
 - FENCE LINE
 - EXISTING VEGETATION
 - PROPOSED LIMITS OF TREE CLEARING
 - BERGMANN DELINEATED PALUSTRINE EMERGENT WETLAND (PEM) / PALUSTRINE SCRUB SHRUB WETLAND (PSS)
 - STREAM
 - 100' WETLAND SETBACK
 - FARMLAND CLASSIFICATION BOUNDARY

- NOTES:**
- SEE SHEET C006 FOR LANDSCAPE NOTES.
 - SEE SHEET C007 FOR LANDSCAPE DETAILS.
 - SEE SHEET C009 FOR SEED SCHEDULES.

PLANT LIST								
Key	Qty.	Botanical Name	Common Name	Mature Size		Installed Size	Condition	Notes
				Height	Spread			
Evergreen Trees								
AC	39	Abies concolor	White Fir	50-75 Ht.	20-30' Sprd.	6-7 Ht.	B&B	
TC	59	Tsuga Canadensis	Canadian Hemlock	40-70 Ht.	25-35' Sprd.	8' Ht.	B&B	
PG	36	Picea glauca	White Spruce	40-60 Ht.	10-20' Sprd.	8' Ht.	B&B	
PP	43	Picea pungens	Colorado Spruce	30-60 Ht.	10-20' Sprd.	7-8' Ht.	B&B	
Evergreen Shrubs								
TO	33	Thuja occidentalis 'Emerald Green'	Emerald Green Arborvitae	7-15 Ht.	3-4' Sprd.	5' Ht.	B&B	

11/23/2021 1:54 PM M:\Con Edison\CEB\014847.00\Con Edison\CEB - Yorktown A Solar Farm\A.0 Dwg\A.1 Civil\14847.00 Landscape Plan.dwg

- LEGEND:**
- PROPERTY LINE SETBACK - 50 FEET
 - PROPERTY/R.O.W. LINE
 - - - EXISTING LOT LINE ADJUSTMENT
 - [Pattern] PROPOSED GRAVEL DRIVEWAY
 - [Pattern] FEMA 1% ANNUAL CHANCE FLOOD HAZARD
 - [Pattern] FEMA 0.2% ANNUAL CHANCE FLOOD HAZARD
 - [Pattern] EXISTING FEMA REGULATORY FLOODWAY
 - EXISTING ROAD
 - - - ADJ. PROPERTY/R.O.W. LINE (SURVEYED)
 - x - x - FENCE LINE
 - - -1010- CONTOUR - MAJOR
 - - -1012- CONTOUR - MINOR
 - [Pattern] EXISTING VEGETATION
 - [Pattern] EXISTING ROCK WALL
 - [Pattern] PROPOSED LIMITS OF TREE CLEARING
 - [Pattern] BERGMANN DELINEATED PALUSTRINE EMERGENT WETLAND (PEM) / PALUSTRINE SCRUB SHRUB WETLAND (PSS)
 - & STREAM
 - - - 100' WETLAND BUFFER
 - - - PROPOSED ROCK WALL
 - PROPOSED SCREENING TREES
 - - - PROPOSED SWALE
 - [Pattern] PHASE 1
 - [Pattern] PHASE 2
 - [Pattern] PHASE 3
 - [Pattern] PHASE 4



YORKTOWN A SOLAR FARM

FOOTHILL STREET

TOWN OF YORKTOWN
WESTCHESTER COUNTY
NEW YORK

CON EDISON CLEAN ENERGY BUSINESSES, INC.

100 SUMMIT LAKE DRIVE
VALHALLA, NY 10595



Bergmann Associates, Architects, Engineers,
Landscape Architects & Surveyors, D.P.C.
2 Winners Circle, Suite 102
Albany, NY 12205

office: 518.862.0325

www.bergmannpc.com

REVISIONS				
NO.	DATE	DESCRIPTION	REV.	CK'D
1	1/28/2021	PLAN REVISIONS	WD	ECR
2	11/22/2021	PLAN REVISIONS	WD	ECR

**PRELIMINARY
NOT FOR CONSTRUCTION**

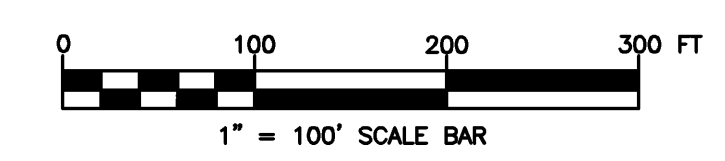


Copyright © Bergmann Associates, Architects, Engineers,
Landscape Architects & Surveyors, D.P.C.

Note:
Unauthorized alteration or addition to this drawing is a violation of
the New York State Education Law Article 145, Section 7209.

Project Manager: ECR	Designed By: WD	Date Issued: OCTOBER 27, 2020	Prepared Number: 14847.00
Checked By: ECR	Drawn By: WD	Scale: 1"=100'	

CALL BEFORE YOU DIG!
NEW YORK LAW REQUIRES
NOTICE AT LEAST 2 FULL WORKING DAYS,
BUT NOT MORE THAN 10 FULL WORKING DAYS,
BEFORE EXCAVATION IS SCHEDULED TO BEGIN.
DigSafely. New York
1-800-962-7962



PHASING PLAN

C007

11/23/2021 2:41 PM M:\Con Edison\CEB\014847\00 Con Edison CEB - Yorktown A Solar Farm\10.0 Dwg\14.1 Civil\14847.00 Phasing Plan.dwg

GENERAL NOTES

1. THE UNDERGROUND STRUCTURES AND UTILITIES SHOWN ON THIS MAP HAVE BEEN PLOTTED FROM AVAILABLE SURVEYS AND RECORD MAPS. THEY ARE NOT CERTIFIED TO THE ACCURACY OF THEIR LOCATION AND/OR COMPLETENESS. IT IS THE CONTRACTOR'S RESPONSIBILITY TO VERIFY THE LOCATION AND EXTENT OF ALL UNDERGROUND STRUCTURES AND UTILITIES PRIOR TO ANY DIGGING OR CONSTRUCTION ACTIVITIES IN THEIR VICINITY. THE CONTRACTOR SHALL HAVE ALL EXISTING UTILITIES FIELD STAKED BEFORE STARTING WORK BY CALLING 1-800-962-7962.
2. THE CONTRACTOR SHALL PERFORM ALL WORK IN COMPLIANCE WITH TITLE 29 OF FEDERAL REGULATIONS, PART 1926, SAFETY AND HEALTH REGULATIONS FOR CONSTRUCTION (OSHA).
3. HIGHWAY DRAINAGE ALONG ALL ROADS AND PRIVATE DRIVES SHALL BE KEPT CLEAN OF MUD, DEBRIS, ETC. AT ALL TIMES.
4. THE CONTRACTOR SHALL CONSULT THE DESIGN ENGINEER BEFORE DEVIATING FROM THESE PLANS.
5. IN ALL TRENCH EXCAVATIONS, CONTRACTOR MUST LAY THE TRENCH SIDE SLOPES BACK TO A SAFE SLOPE, USE A TRENCH SHIELD OR PROVIDE SHEETING AND BRACING.
6. IF SUSPICIOUS AND/OR HAZARDOUS MATERIAL IS ENCOUNTERED DURING DEMOLITION/CONSTRUCTION, ALL WORK SHALL STOP AND THE WESTCHESTER COUNTY DEPARTMENT OF HEALTH AND THE NEW YORK STATE DEPARTMENT OF CONSERVATION SHALL BE NOTIFIED IMMEDIATELY. WORK SHALL NOT RESUME UNTIL THE DEVELOPER HAS OUTLINED APPROPRIATE ACTION FOR DEALING WITH THE WASTE MATERIAL AND THE DEVELOPMENT PLANS ARE MODIFIED AS MAY BE NECESSARY.
7. EXCAVATED WASTE MATERIAL REMOVED FROM THE SITE SHALL BE PLACED AT A LOCATION ACCEPTABLE TO THE NEW YORK STATE DEPARTMENT OF ENVIRONMENTAL CONSERVATION.
8. AREAS DISTURBED OR DAMAGED AS PART OF THIS PROJECTS CONSTRUCTION THAT ARE OUTSIDE OF THE PRIMARY WORK AREA SHALL BE RESTORED, AT THE CONTRACTORS EXPENSE, TO THE SATISFACTION OF THE OWNER'S REPRESENTATIVE.
9. UNLESS COVERED BY THE CONTRACT SPECIFICATIONS OR AS NOTED ON THE PLANS, ALL WORK SHALL CONFORM TO THE NEW YORK STATE DEPARTMENT OF TRANSPORTATION STANDARD SPECIFICATIONS DATED MAY 1, 2008 AND ANY SUBSEQUENT REVISIONS.

SITE STABILIZATION

1. WHEN FINAL GRADE IS ACHIEVED DURING NON-GERMINATING MONTHS, THE AREA SHOULD BE MULCHED UNTIL THE BEGINNING OF THE NEXT PLANTING SEASON.
2. MULCHES SHOULD BE APPLIED AT THE RATES SHOWN IN THE MULCH APPLICATION RATES TABLE. VERY LITTLE BARE GROUND SHOULD BE VISIBLE THROUGH THE MULCH.
3. STRAW AND HAY MULCH SHOULD BE ANCHORED OR TACKIFIED IMMEDIATELY AFTER APPLICATION TO PREVENT BEING WINDBLOWN. A TRACTOR-DRAWN IMPLEMENT MAY BE USED TO "CRIMP" THE STRAW OR HAY INTO THE SOIL - ABOUT 3 INCHES. THIS METHOD SHOULD BE LIMITED TO SLOPES NO STEEPER THAN 3H:1V. THE MACHINERY SHOULD BE OPERATED ALONG THE CONTOUR. NOTE: CRIMPING OF HAY OR STRAW BY RUNNING OVER IT WITH TRACKED MACHINERY IS NOT RECOMMENDED.
4. BEFORE SEEDING IS APPLIED THE CONTRACTOR SHALL SPREAD SOIL TO PREVENT PONDING AND CONFIRM THAT SOIL WILL SUSTAIN THE SEED GERMINATION AND ESTABLISHMENT OF VEGETATION.
5. GRADED AREAS SHOULD BE SCARIFIED OR OTHERWISE LOOSENED TO A DEPTH OF 3 TO 5 INCHES TO PERMIT BONDING OF THE TOPSOIL TO THE SURFACE AREAS AND TO PROVIDE A ROUGHENED SURFACE TO PREVENT TOPSOIL FROM SLIDING DOWN SLOPE. COMPACTED SOILS SHOULD BE SCARIFIED TO A DEPTH OF 6 TO 12 INCHES, ALONG CONTOUR WHEREVER POSSIBLE, PRIOR TO SEEDING.
6. TOPSOIL OR AMENDED SOIL SHOULD BE UNIFORMLY DISTRIBUTED ACROSS THE DISTURBED AREA TO A MINIMUM DEPTH OF 4 INCHES. SPREADING SHOULD BE DONE IN SUCH A MANNER THAT SODDING OR SEEDING CAN PROCEED WITH A MINIMUM OF ADDITIONAL PREPARATION OR TILLAGE. IRREGULARITIES IN THE SURFACE RESULTING FROM TOPSOIL PLACEMENT SHOULD BE CORRECTED IN ORDER TO PREVENT FORMATION OF DEPRESSIONS.
7. TOPSOIL SHOULD NOT BE PLACED WHILE THE TOPSOIL OF SUBSOIL IS IN A FROZEN OR MUDDY CONDITION, WHEN THE SUBSOIL IS EXCESSIVELY WET, OR IN A CONDITION THAT MAY OTHERWISE BE DETRIMENTAL TO PROPER GRADING AND SEEDBED PREPARATION.
8. WHEN USED AS A MULCH REPLACEMENT, THE APPLICATION RATE (THICKNESS) OF THE COMPOST SHOULD BE 2" TO 3". COMPOST SHOULD BE PLACED EVENLY AND SHOULD PROVIDE 100% SOIL COVERAGE. NO SOIL SHOULD BE VISIBLE.
9. POLYMERIC AND GUM TACKIFIERS MIXED AND APPLIED ACCORDING TO MANUFACTURER'S RECOMMENDATIONS MAY BE USED TO TACK MULCH. AVOID APPLICATION DURING RAIN AND ON WINDY DAYS. A 24-HOUR CURING PERIOD AND A SOIL TEMPERATURE HIGHER THAN 45° F ARE TYPICALLY REQUIRED. APPLICATION SHOULD GENERALLY BE HEAVIEST AT EDGES OF SEEDING AREAS AND AT CRESTS OF RIDGES AND BANKS TO PREVENT LOSS BY WIND. THE REMAINDER OF THE AREA SHOULD HAVE BINDER APPLIED UNIFORMLY. BINDERS MAY BE APPLIED AFTER MULCH IS SPREAD OR SPRAYED INTO THE MULCH AS IT IS BEING BLOWN ONTO THE SOIL. APPLYING STRAW AND BINDER TOGETHER IS GENERALLY MORE EFFECTIVE.
10. SYNTHETIC BINDERS, OR CHEMICAL BINDERS, MAY BE USED AS RECOMMENDED BY THE MANUFACTURER TO ANCHOR MULCH PROVIDED SUFFICIENT DOCUMENTATION IS PROVIDED TO SHOW THEY ARE NON-TOXIC TO NATIVE PLANT AND ANIMAL SPECIES.
11. MULCH ON SLOPES OF 8% OR STEEPER SHOULD BE HELD IN PLACE WITH NETTING. LIGHTWEIGHT PLASTIC, FIBER, OR PAPER NETS MAY BE STAPLED OVER THE MULCH ACCORDING TO MANUFACTURER'S RECOMMENDATIONS.
12. SHREDDED PAPER HYDROMULCH SHOULD NOT BE USED ON SLOPES STEEPER THAN 5%. WOOD FIBER HYDROMULCH MAY BE APPLIED ON STEEPER SLOPES PROVIDED A TACKIFIER IS USED. THE APPLICATION RATE FOR ANY HYDROMULCH SHOULD BE 2,000 LB/ACRE AT A MINIMUM.
13. LIME, FERTILIZER, SEED, AND MULCH DISTURBED AREAS PER THE EROSION AND SEDIMENT CONTROL PLANS. IN AREAS OF STEEP SLOPES OR OBVIOUS AREAS WHERE POTENTIAL EROSION MAY OCCUR, AN EROSION CONTROL MAT OR FLEXIBLE GROWTH MEDIUM (FGM) SHALL BE USED. FGM SHALL BE APPLIED PER MANUFACTURER SPECIFICATIONS.
14. ONCE A SECTION OF THE ALIGNMENT HAS BEEN STABILIZED, NO CONSTRUCTION TRAFFIC SHALL OCCUR TO REMOVE ANY BMPS UNTIL THE SECTION HAS ACHIEVED 80% PERENNIAL VEGETATIVE COVER. AN AREA SHALL BE CONSIDERED TO HAVE ACHIEVED FINAL STABILIZATION WHEN IT HAS A MINIMUM 80% PERENNIAL VEGETATIVE COVER OR OTHER PERMANENT NONVEGETATIVE COVER WITH A DENSITY SUFFICIENT TO RESIST ACCELERATED EROSION AND SUBSURFACE CHARACTERISTICS SUFFICIENT TO RESIST SLIDING OR OTHER MOVEMENTS.

WASTE/HAZARDOUS MATERIAL PRACTICES

1. WHENEVER POSSIBLE COVERED TRASH CONTAINERS SHOULD BE USED.
2. DAILY SITE CLEANUP IS REQUIRED TO REDUCE DEBRIS AND POLLUTANTS IN THE ENVIRONMENT.
3. CONTRACTOR SHALL PROVIDE A SAFE STORAGE SPACE FOR ALL PAINTS, STAINS AND SOLVENTS INSIDE A COVERED STORAGE AREA.
4. CONTRACTOR SHALL PROVIDE A SAFE STORAGE AREA FOR PESTICIDES AND FERTILIZERS.
5. ALL FUELS, OILS AND GREASE MUST BE KEPT IN CONTAINERS AT ALL TIMES.

STORMWATER POLLUTION PREVENTION PLAN NOTES

1. THE DEVELOPER/OWNER/OPERATOR SHALL PROVIDE A QUALIFIED INSPECTOR TO INSPECT THE PROJECT AT THE END OF EACH WORK WEEK AND PROVIDE A REPORT AT LEAST ONCE PER WEEK.
2. INSTALL SILT FENCE, DIVERSION SWALES/BERMS, CHECK DAMS AND ALL OTHER EROSION CONTROL MEASURES AS INDICATED ON THE PLAN PRIOR TO THE START OF ANY EXCAVATION WORK. EROSION CONTROL MEASURES WILL BE IMPLEMENTED IN ACCORDANCE WITH THE NEW YORK STATE GUIDELINES FOR URBAN EROSION SEDIMENT CONTROL MANUAL, NEW YORK STATE HEALTH DEPARTMENT, AND THE GOVERNING CITY REQUIREMENTS.
3. REMOVE AND STOCKPILE TOPSOIL AS DIRECTED BY THE CONSTRUCTION MANAGER REPLACE TOPSOIL TO A MINIMUM 4" DEPTH WITH TOPSOIL OR AMENDED SOIL. ALL DISTURBED AREAS TO BE SEEDED TO PROMOTE VEGETATION AS SOON AS PRACTICABLE.
4. IF THE SEASONS PROHIBITS TEMPORARY SEEDING, THE DISTURBED AREAS WILL BE MULCHED WITH STRAW HAY OR EQUIVALENT AND ANCHORED IN ACCORDANCE WITH THE "STANDARDS", NETTING OR LIQUID MULCH BINDER.
5. CONTRACTOR SHALL BE RESPONSIBLE FOR THE MAINTENANCE AND REMOVAL OF TEMPORARY SEDIMENTATION CONTROLS. EROSION CONTROL MEASURES SHALL NOT BE REMOVED BEFORE 80% UNIFORM VEGETATION HAS BEEN ACHIEVED.
6. INSTALL INLET PROTECTION, AND RIP RAP APRONS PROGRESSIVELY AS STORM SEWER, AND DISCHARGE POINTS ARE INSTALLED.
7. ALL EROSION CONTROL MEASURES ARE TO BE REPLACED WHENEVER THEY BECOME CLOGGED OR INOPERABLE AND SHALL BE REPLACED AT A MINIMUM OF EVERY 3 MONTHS.
8. THE CONTRACTOR SHALL BE RESPONSIBLE FOR RESTORATION OF TOPSOIL OR AMENDED TO ALL DISTURBED AREAS. IT IS THE CONTRACTOR'S RESPONSIBILITY TO MAINTAIN EROSION CONTROL MEASURES AT ALL TIMES.
9. THE CONTRACTOR SHALL DESIGNATE A MEMBER OF HIS/HER FIRM TO BE RESPONSIBLE TO MONITOR EROSION CONTROL, EROSION CONTROL STRUCTURES, TREE PROTECTION AND PRESERVATION THROUGHOUT CONSTRUCTION.
10. ALL DISTURBED AREAS SHALL BE FINISH GRADED TO PROMOTE VEGETATION ON ALL EXPOSED AREAS AS SOON AS PRACTICABLE. STABILIZATION PRACTICES (TEMPORARY/PERMANENT SEEDING, MULCHING, GEOTEXTILES, ETC. MUST BE IMPLEMENTED WITHIN SEVEN (7) DAYS WHERE CONSTRUCTION ACTIVITIES HAVE TEMPORARILY OR PERMANENTLY CEASED, AND NOT EXPECTED TO RESUME WITHIN FOURTEEN (14) DAYS.
11. PAVED ROADWAYS MUST BE KEPT CLEAN AT ALL TIMES. ALL CONSTRUCTION DEBRIS AND SEDIMENT SPOILS, DROPPED, WASHED OR TRACKED ONTO PUBLIC RIGHT-OF-WAYS MUST BE REMOVED IMMEDIATELY.
12. DUST SHALL BE CONTROLLED BY WATERING.
13. ADJOINING PROPERTY SHALL BE PROTECTED FROM EXCAVATION AND FILLING OPERATIONS ON THE PROPOSED SITE.
14. DIVERSION SWALES/BERMS, AND SEDIMENT TRAPS SHOULD BE RELOCATED INWARD AS PERIMETER SLOPE CONSTRUCTION PROGRESSES AND RECONSTRUCTED TO THE NYS STANDARDS & SPECIFICATIONS AT THE END OF EACH DAY TO DIVERT RUNOFF FROM SLOPED AREAS AND DIRECT TO APPROPRIATE BASINS.
15. SLOPE TRACKING SHALL BE IMPLEMENTED ON ALL SLOPE 1 ON 3 OR GREATER AT THE END OF EACH WORK DAY AND PRIOR TO FINAL SLOPE GRADING AND STABILIZATION.

SWPPP SEQUENCE OF CONSTRUCTION

1. PRE-CONSTRUCTION MEETING HELD TO INCLUDE PROJECT MANAGER, OPERATOR'S ENGINEER, CONTRACTOR, AND SUB-CONTRACTORS PRIOR TO LAND DISTURBING ACTIVITIES.
2. CONSTRUCT CONSTRUCTION ENTRANCE/EXIT AT LOCATIONS DESIGNATED ON PLANS.
3. INSTALL COMPOST SILT SOCK.
4. BEGIN SITE APPURTENANCE DEMOLITION.
5. BEGIN CLEARING AND GRUBBING OPERATIONS. CLEARING AND GRUBBING SHALL BE DONE ONLY IN AREAS WHERE EARTHWORK WILL BE PERFORMED AND ONLY IN AREAS WHERE CONSTRUCTION IS PLANNED TO COMMENCE WITHIN 14 DAYS AFTER CLEARING AND GRUBBING.
6. HAVE A QUALIFIED PROFESSIONAL CONDUCT AN ASSESSMENT OF THE SITE PRIOR TO THE COMMENCEMENT OF CONSTRUCTION AND CERTIFY IN AN INSPECTION REPORT THAT THE APPROPRIATE EROSION AND SEDIMENT CONTROLS DESCRIBED IN THE SWPPP AND REQUIRED BY THE NYSDEC PERMIT HAVE BEEN ADEQUATELY INSTALLED OR IMPLEMENTED TO ENSURE OVERALL PREPAREDNESS OF THE SITE FOR THE COMMENCEMENT OF CONSTRUCTION.
7. STRIP TOPSOIL AND STOCKPILE IN A LOCATION ACCEPTABLE TO CONSTRUCTION MANAGER. WHEN STOCKPILE IS COMPLETE, INSTALL PERIMETER SILT FENCE. SEED SURFACE WITH 100% PERENNIAL RYEGRASS MIXTURE AT A RATE OF 2-4 LBS. PER 1000 SF. APPLY 90-100 LBS PER 1000 SF OF MULCH.
8. COMMENCE EARTHWORK CUT AND FILLS. THE WORK SHALL BE PROGRESSED TO ALLOW A REASONABLE TRANSFER OF CUT AND FILL EARTH FOR ROUGH GRADING AND EARTH MOVING. THE CONTRACTOR WILL BE GIVEN SOME LATITUDE TO VARY FROM THE FOLLOWING SCHEDULE IN ORDER TO MEET THE FIELD CONDITIONS ENCOUNTERED. CONTRACTOR SHALL REVIEW VARIATIONS TO SWPPP WITH DESIGN ENGINEER AND QUALIFIED PROFESSIONAL PRIOR TO IMPLEMENTATION. ALL CHANGES TO SWPPP DRAWINGS MUST BE DOCUMENTED WITHIN ONSITE SWPPP.
9. STABILIZE ALL AREAS AS SOON AS PRACTICABLE, IDLE IN EXCESS OF 7 DAYS AND IN WHICH CONSTRUCTION WILL NOT COMMENCE WITHIN 14 DAYS.
10. FOLLOWING ROUGH GRADING, UTILITY INSTALLATION SHOULD BEGIN, TRENCH EXCAVATION/BACKFILL AREAS SHOULD BE STABILIZED PROGRESSIVELY AT THE END OF EACH WORKDAY WITH SEED AND STRAW MULCH AT A RATE OF 100% PERENNIAL RYE GRASS AT 2-4 LBS/1000 SF MULCHED AT 90-100 LBS/1000 SF.
11. CONSTRUCT SWALES AS SHOWN ON THE PLANS.
12. STABILIZE ALL AREAS IDLE IN EXCESS OF 7 DAYS IN WHICH CONSTRUCTION WILL NOT COMMENCE WITHIN 14 DAYS.
13. AS ROADWAY AND ACCESS DRIVES ARE BROUGHT TO GRADE, THEY WILL BE STABILIZED WITH CRUSHED STONE SUBBASE AT A DEPTH SPECIFIED ON PLANS TO PREVENT EROSION AS SOON AS PRACTICABLE.
14. AS LANDSCAPED AREAS ARE BROUGHT TO GRADE, STABILIZE WITH TOPSOIL, SEEDING AND MULCHING PER SPECIFICATIONS.
15. REMOVE TEMPORARY CONSTRUCTION EXITS ONLY PRIOR TO GRAVEL ROAD CONSTRUCTION (THESE AREAS ARE TO BE CONSTRUCTED LAST).
16. THE DEVELOPER/OWNER/OPERATOR SHALL HAVE A QUALIFIED PROFESSIONAL CONDUCT AN ASSESSMENT OF THE SITE AND FINAL REPORT TO DETERMINE ALL PERMANENT STORMWATER MEASURES HAVE BEEN INSTALLED PER PLANS AND 80% UNIFORM GERMINATION STABILIZATION HAS BEEN ACHIEVED PRIOR TO THE REMOVAL OF ALL REMAINING TEMPORARY EROSION AND SEDIMENT CONTROL DEVICES.

LANDSCAPE NOTES

1. ALL PLANTS MUST BE HEALTHY, VIGOROUS, AND FREE OF PESTS AND DISEASE.
2. STANDARDS SET FORTH IN "AMERICAN STANDARD FOR NURSERY STOCK", ANSI Z60.1 (LATEST EDITION), REPRESENT GUIDELINE SPECIFICATIONS ONLY AND SHALL CONSTITUTE MINIMUM QUALITY REQUIREMENTS FOR PLANT MATERIAL.
3. ALL PLANTS MUST BE HARDY UNDER CLIMATE CONDITIONS THAT EXIST AT THE PROJECT SITE AND GROWN AT A NURSERY AT THE SAME HARDINESS ZONE AS THE PROJECT LOCATION.
4. NO SUBSTITUTIONS SHALL BE PERMITTED WITHOUT PRIOR WRITTEN APPROVAL OF THE OWNER OR OWNER'S REPRESENTATIVE.
5. ALL TREES MUST BE STRAIGHT TRUNKED, INJURY FREE, AND FULL HEADED.
6. THE CONTRACTOR IS RESPONSIBLE FOR VERIFYING ALL QUANTITIES SHOWN ON THESE PLANS BEFORE PRICING THE WORK.
7. ANY DISCREPANCY WITH QUANTITIES, LOCATIONS AND / OR FIELD CONDITIONS SHALL BE BROUGHT TO THE ATTENTION OF THE LANDSCAPE ARCHITECT PRIOR TO INSTALLATION.
8. MULCH ALL ISLANDS AND PLANTINGS IN LAWN AREAS WITH DOUBLE GROUND BARK MULCH MADE FROM A MIXTURE OF HARDWOOD AND/OR SOFTWOOD. MULCH SHALL BE AGED A MIN. OF ONE (1) YEAR FOR PARTIAL DECOMPOSITION. IT SHALL BE SCREENED TO EXCLUDE PARTICLES LARGER THAN ONE (1) INCH IN DIAMETER. MATERIAL SHALL BE COMPOSED OF BARK AND HAVE A LOW WOOD CONTENT WITH NO HIDDEN WOODS FROM CONSTRUCTION DEBRIS. PALLETS OR PRESSURE TREATED LUMBER AND BE FREE OF WEEDS, SEEDS, AND GREEN LEAF MATTER. IT SHALL BE NATURALLY DARK BROWN IN COLOR. NO DYED MULCH WILL BE ACCEPTED. MULCH DEPTH SHALL BE THREE (3) INCHES UNLESS OTHERWISE DIRECTED.
9. ANY PLANT WHICH DIES, TURNS BROWN, OR DEFOLIATES (PRIOR TO TOTAL ACCEPTANCE OF THE WORK) SHALL BE PROMPTLY REMOVED FROM THE SITE AND REPLACED WITH MATERIAL OF THE SAME SPECIES, QUANTITY AND SIZE MEETING ALL PLANT LIST SPECIFICATIONS.
10. THE CONTRACTOR IS RESPONSIBLE FOR FULLY MAINTAINING ALL PLANT MATERIALS (INCLUDING, BUT NOT LIMITED TO: WATERING, SPRAYING, MULCHING, FERTILIZING, AND REMOVAL OF STAKES AND GUYS) AND LAWN AREAS UNTIL FINAL ACCEPTANCE BY THE OWNER.
11. THE CONTRACTOR SHALL COMPLETELY GUARANTEE ALL PLANT MATERIAL FOR A PERIOD OF ONE (1) YEAR, BEGINNING ON THE DATE OF FINAL ACCEPTANCE. THE CONTRACTOR SHALL PROMPTLY MAKE ALL REPLACEMENTS BEFORE THE END OF THE GUARANTEE PERIOD.
12. ALL AREAS DISTURBED BY UTILITY INSTALLATION AND SITE GRADING ACTIVITY SHALL RECEIVE APPROVED TOPSOIL (TO A COMPACTED DEPTH OF FOUR (4) INCHES, UNLESS OTHERWISE SPECIFIED BY THE GOVERNING MUNICIPALITY), BE FINE GRADED, SEEDED, MULCHED AND WATERED UNTIL A HEALTHY STAND OF GRASS IS OBTAINED.
13. ALL TOPSOIL SHALL BE SCREENED LOAM SURFACE SOIL, FREE OF STONES AND SHALL HAVE THE FOLLOWING MINIMUM REQUIREMENTS:
 - a) AN ORGANIC CONTENT OF 6-12%
 - b) SOIL ACIDITY RANGE OF pH 6.0 TO pH 6.8
 - c) SOLUBLE SALTS OF 1000 PPM OR LESS
 - d) MAXIMUM CLAY CONTENT OF 15-20%
14. THE CONTRACTOR IS RESPONSIBLE FOR PROVIDING, AT THEIR EXPENSE, A CERTIFIED SOIL TEST ANALYSIS OF ON SITE AND / OR IMPORTED TOPSOIL. TOPSOIL ANALYSIS TO INCLUDE THE FOLLOWING DATA:
 - a) pH FACTOR.
 - b) MECHANICAL ANALYSIS, INCLUDING SIEVE ANALYSIS PROVIDING SEPARATE SAND, SILT AND CLAY PERCENTAGES.
 - c) PERCENTAGE OF ORGANIC CONTENT BY WEIGHT
 - d) NUTRIENT LEVELS INCLUDING NITROGEN, PHOSPHOROUS AND POTASSIUM.
15. SHOULD TESTS AND ANALYSIS INDICATE THAT SOIL PROPOSED FOR USE IS DEFICIENT IN ANY OF THE ABOVE REQUIREMENTS, A SYSTEM OF AMELIORATING MAY BE PROPOSED FOR APPROVAL. ANY SYSTEM PROPOSED SHALL PROVIDE FOR AN ACIDITY RANGE OF Ph 6.0 TO 6.8 INCLUSIVE.
16. COMPOST SHALL MEET THE FOLLOWING MINIMUM REQUIREMENTS:
 - a) ORGANIC CONTENT OF 35-60% (DRY WEIGHT BASIS)
 - b) LOOSE AND FRIBLE WITH MOISTURE CONTENT OF 35-60% (WET WEIGHT BASIS)
 - c) PARTICLE SIZE SHALL BE <1/2 INCH (100% PASSING)
 - d) SOLUBLE SALTS CONCENTRATION SHALL BE <4.0 MMHOS/CM (DSM), MAXIMUM
 - e) pH RANGE OF 6.0-8.5
17. PLANTING MIX FOR PLANT PITS SHALL BE COMPOSED OF (2) PARTS IMPORTED OR ON-SITE SCREENED TOPSOIL AND (1) PART COMPOST. THE RATIO OF TOPSOIL TO COMPOST IS SUBJECT TO CHANGE BASED ON THE TESTING RESULTS FOR TOPSOIL.
18. LOCATIONS OF EXISTING BURIED UTILITIES SHOWN ON THE PLAN ARE BASED UPON BEST AVAILABLE INFORMATION AND ARE TO BE CONSIDERED APPROXIMATE. IT SHALL BE THE RESPONSIBILITY OF THE CONTRACTOR TO VERIFY THE LOCATIONS OF ALL UNDERGROUND UTILITY LINES ADJACENT TO THE WORK AREA. THE CONTRACTOR SHALL BE RESPONSIBLE FOR REPAIRING ANY AND ALL DAMAGE TO UTILITIES, STRUCTURES AND SITE APPURTENANCES, ETC., WHICH OCCURS AS A RESULT OF THE LANDSCAPE INSTALLATION.
19. THE CONTRACTOR IS RESPONSIBLE FOR INSTALLING ALL PLANT MATERIAL PER DETAILS. ANY DEVIATIONS FROM THE DETAIL MUST BE APPROVED BY THE OWNER'S REPRESENTATIVE OR LANDSCAPE ARCHITECT PRIOR TO INSTALLATION.
20. SEE SHEET C007 FOR LANDSCAPE DETAILS.
21. UPON FINAL ACCEPTANCE OF THE LANDSCAPE INSTALLATION, THE OWNER WILL ASSUME MAINTENANCE OF THE LANDSCAPED AREAS.
22. EXISTING TREES TO REMAIN SHALL BE PROTECTED BY INSTALLING A TEMPORARY FENCE AT THE OUTER LIMITS OF THE TREE CANOPY.

YORKTOWN A SOLAR FARM

FOOTHILL STREET

TOWN OF YORKTOWN
WESTCHESTER COUNTY
NEW YORK

CON EDISON CLEAN ENERGY BUSINESSES, INC.

100 SUMMIT LAKE DRIVE
VALHALLA, NY 10595



Bergmann Associates, Architects, Engineers,
Landscape Architects & Surveyors, D.P.C.
2 Winners Circle, Suite 102
Albany, NY 12205

office: 518.862.0325

www.bergmannpc.com

REVISIONS				
NO.	DATE	DESCRIPTION	REV.	CKD
1	1/28/2021	PLAN REVISIONS	WD	ECR
2	11/22/2021	PLAN REVISIONS	WD	ECR

PRELIMINARY NOT FOR CONSTRUCTION



Copyright © Bergmann Associates, Architects, Engineers,
Landscape Architects & Surveyors, D.P.C.

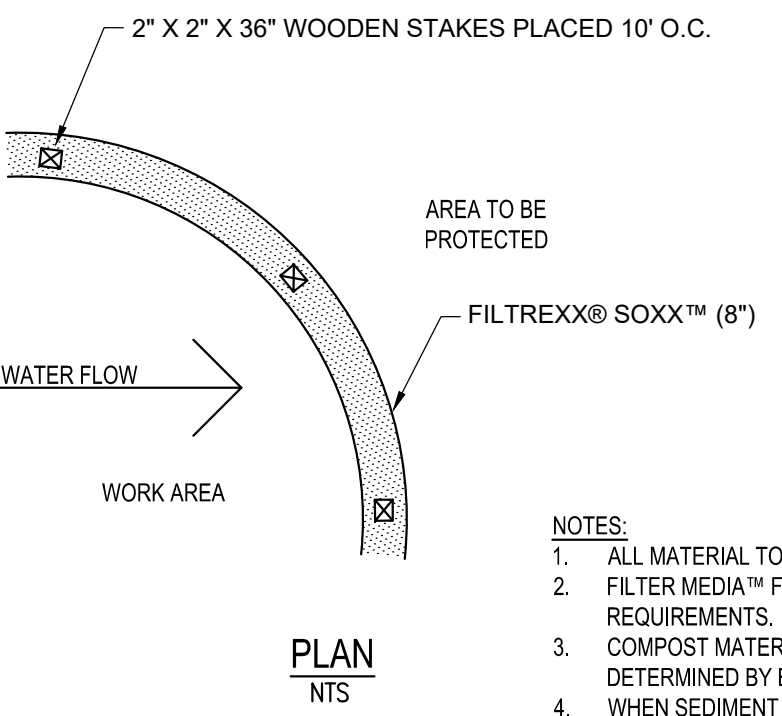
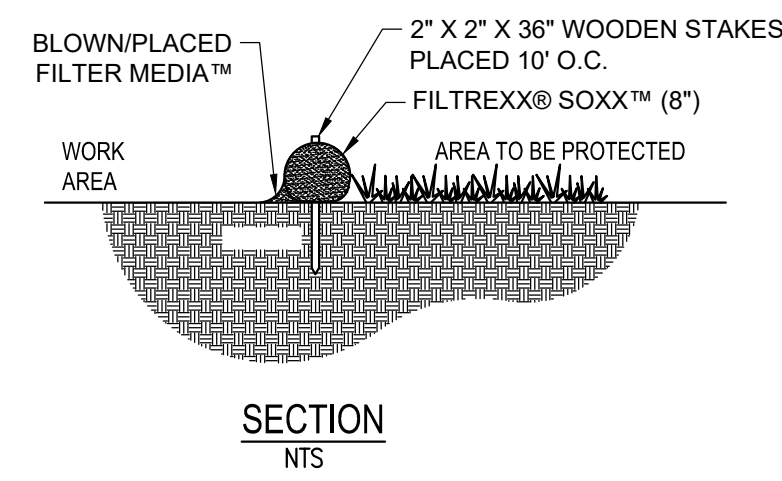
Note:
Unauthorized alteration or addition to this drawing is a violation of
the New York State Education Law Article 145, Section 7209.

Drawn By:	Checked By:
WD	WD
Date Issued:	Scale:
OCTOBER 27, 2020	AS NOTED
Project Number:	
14847.00	

CALL BEFORE YOU DIG!
NEW YORK LAW REQUIRES
NOTICE AT LEAST 2 FULL WORKING DAYS,
BUT NOT MORE THAN 10 FULL WORKING DAYS,
BEFORE EXCAVATION IS SCHEDULED TO BEGIN.
DigSafely. New York
 1-800-962-7962

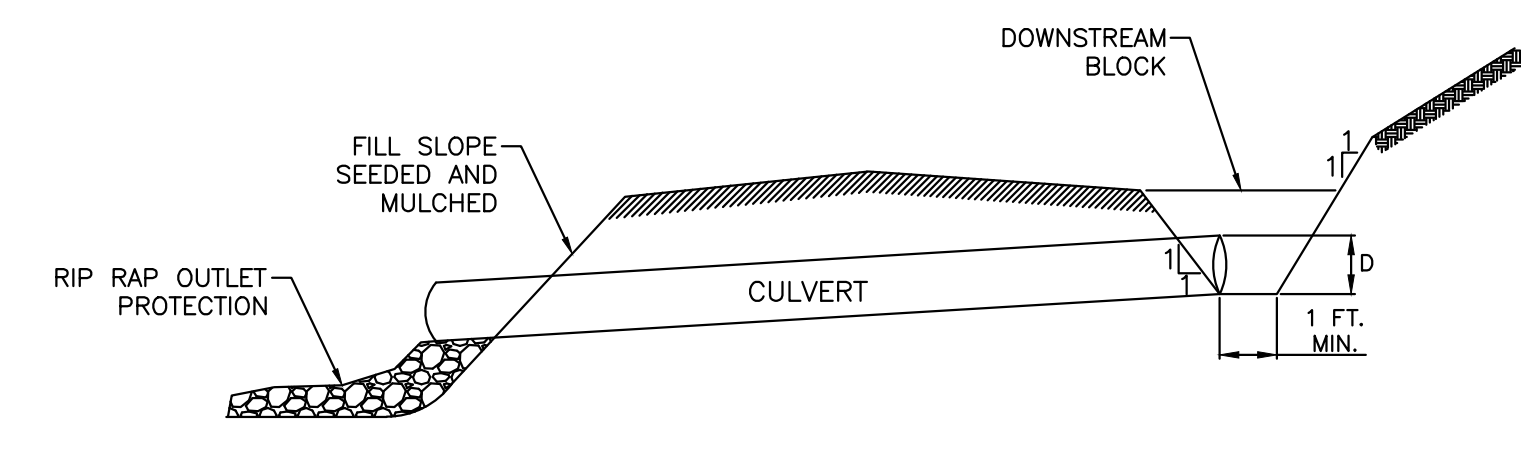
GENERAL NOTES

C008



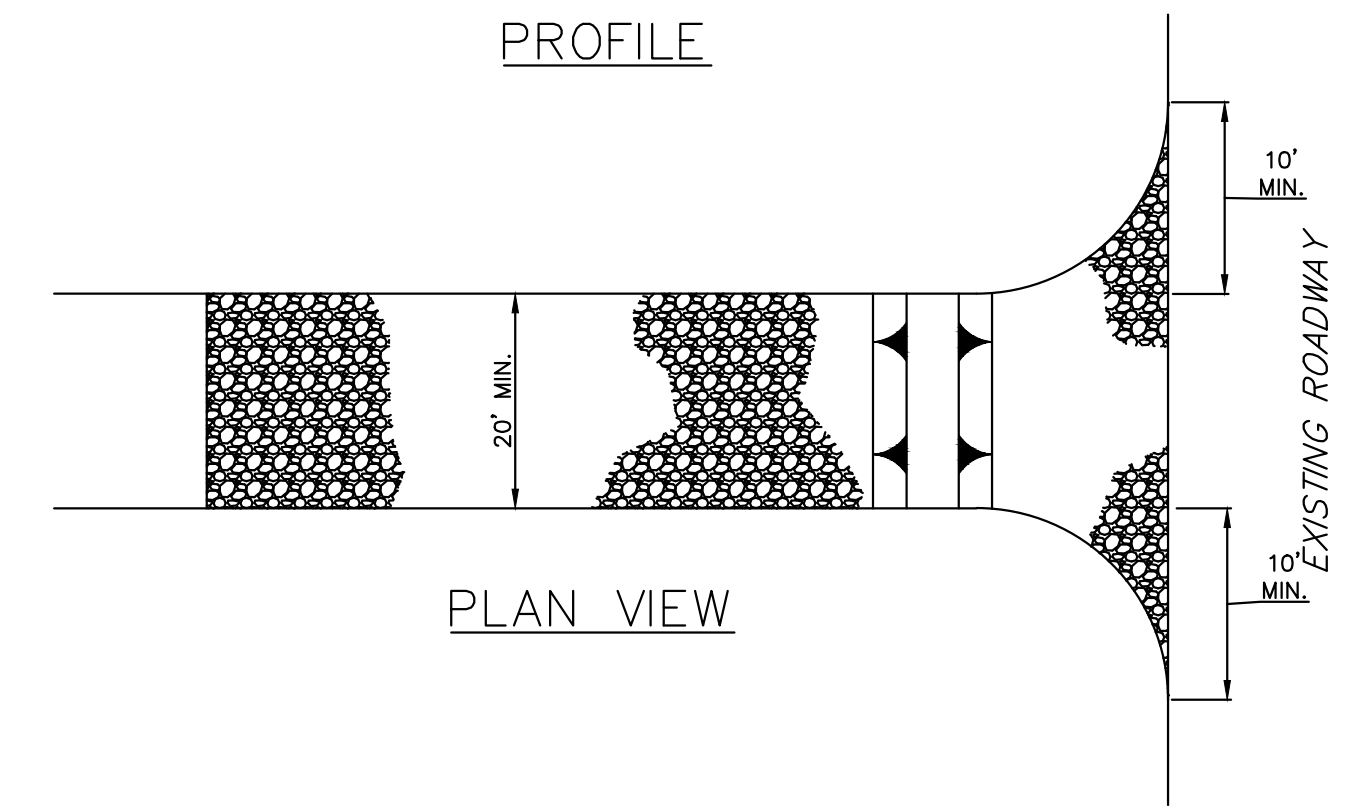
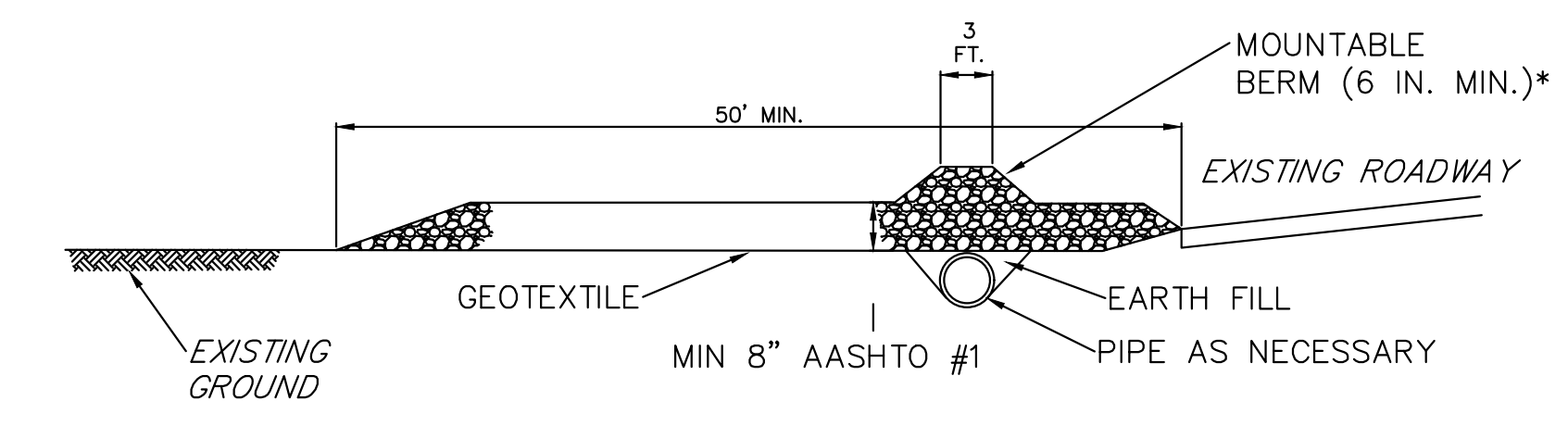
- NOTES:**
1. ALL MATERIAL TO MEET FILTREXX® SPECIFICATIONS.
 2. FILTER MEDIA™ FILL TO MEET APPLICATION REQUIREMENTS.
 3. COMPOST MATERIAL TO BE DISPERSED ON SITE, AS DETERMINED BY ENGINEER.
 4. WHEN SEDIMENT CONTROL IS USED ON PAVEMENT, HEAVY CONCRETE BLOCKS SHALL BE USED BEHIND THE SEDIMENT CONTROL TO HELP STABILIZE DURING RAINFALL/RUNOFF EVENTS

FILTREXX FILTERSOXX SEDIMENT CONTROL
NO SCALE



- NOTES:**
- CUT AND FILL SLOPES SHALL BE STABILIZED IMMEDIATELY UPON COMPLETION OF DRIVEWAY GRADING. THESE AREAS SHALL BE BLANKETED WHEREVER THEY ARE LOCATED WITHIN 50 FEET OF A SURFACE WATER OR WITHIN 100 FEET OF AN HIGH QUALITY OR EXCEPTIONAL VALUE SURFACE WATER OR WHERE A SUITABLE VEGETATIVE FILTER STRIP DOES NOT EXIST.
- A TOP DRESSING COMPOSED OF HARD, DURABLE STONE SHALL BE PROVIDED FOR SOILS HAVING LOW STRENGTH.
- DRIVEWAY DITCHES SHALL BE PROVIDED WITH ADEQUATE PROTECTIVE LINING WHEREVER RUNOFF CANNOT SHEET FLOW AWAY FROM THE DRIVEWAY.
- DRIVEWAY SHALL BE INSPECTED WEEKLY AND AFTER EACH RUNOFF EVENT. DAMAGED DRIVEWAYS, DITCHES, OR CROSS DRAINS SHALL BE REPAIRED IMMEDIATELY.

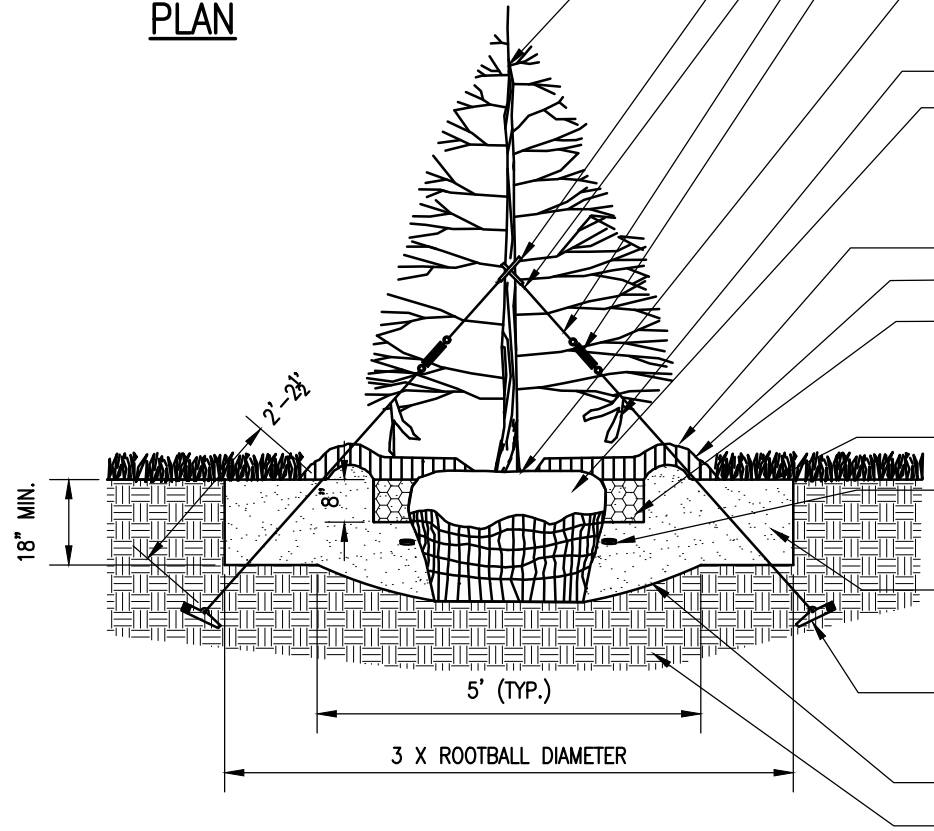
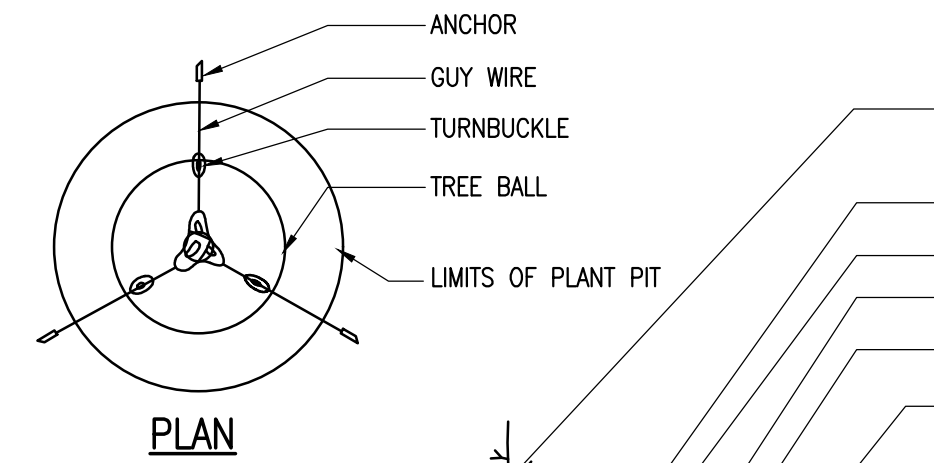
CROSS CULVERT
NO SCALE



* MOUNTABLE BERM USED TO PROVIDE PROPER COVER FOR PIPE

- NOTES:**
1. REMOVE TOPSOIL PRIOR TO INSTALLATION OF ROCK CONSTRUCTION ENTRANCE. EXTEND ROCK OVER FULL WIDTH OF ENTRANCE.
 2. RUNOFF SHALL BE DIVERTED FROM ROADWAY TO A SUITABLE SEDIMENT REMOVAL BMP PRIOR TO ENTERING ROCK CONSTRUCTION ENTRANCE.
 3. MOUNTABLE BERM SHALL BE INSTALLED WHEREVER OPTIONAL CULVERT PIPE IS USED AND PROPER PIPE COVER AS SPECIFIED BY MANUFACTURER IS NOT OTHERWISE PROVIDED. PIPE SHALL BE SIZED APPROPRIATELY FOR SIZE OF DITCH BEING CROSSED.
 4. MAINTENANCE: ROCK CONSTRUCTION ENTRANCE THICKNESS SHALL BE CONSTANTLY MAINTAINED TO THE SPECIFIED DIMENSIONS BY ADDING ROCK. A STOCKPILE SHALL BE MAINTAINED ON SITE FOR THIS PURPOSE. ALL SEDIMENT DEPOSITED ON PAVED ROADWAYS SHALL BE REMOVED AND RETURNED TO THE CONSTRUCTION SITE IMMEDIATELY. IF EXCESSIVE AMOUNTS OF SEDIMENT ARE BEING DEPOSITED ON ROADWAY, EXTEND LENGTH OF ROCK CONSTRUCTION ENTRANCE BY 50 FOOT INCREMENTS UNTIL CONDITION IS ALLEVIATED OR INSTALL WASH RACK. WASHING THE ROADWAY OR SWEEPING THE DEPOSITS INTO ROADWAY DITCHES, SEWERS, CULVERTS, OR OTHER DRAINAGE COURSES IS NOT ACCEPTABLE.

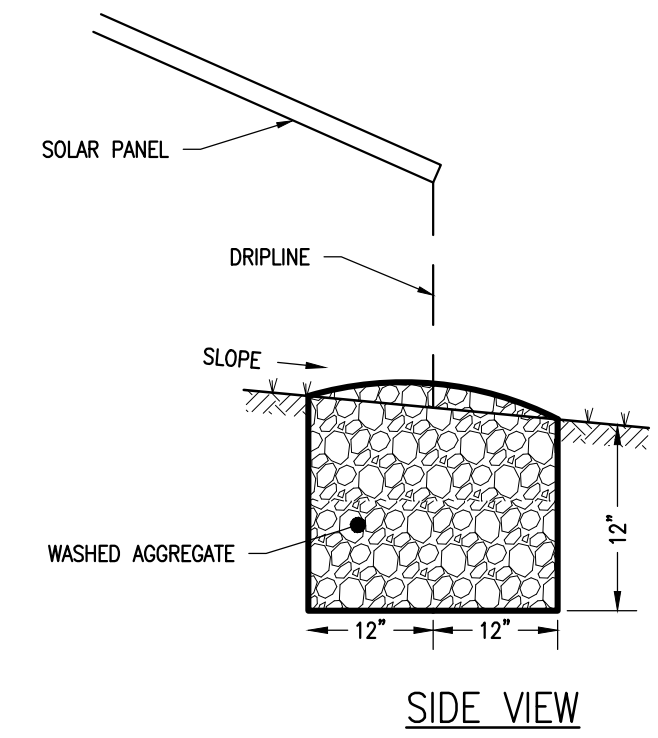
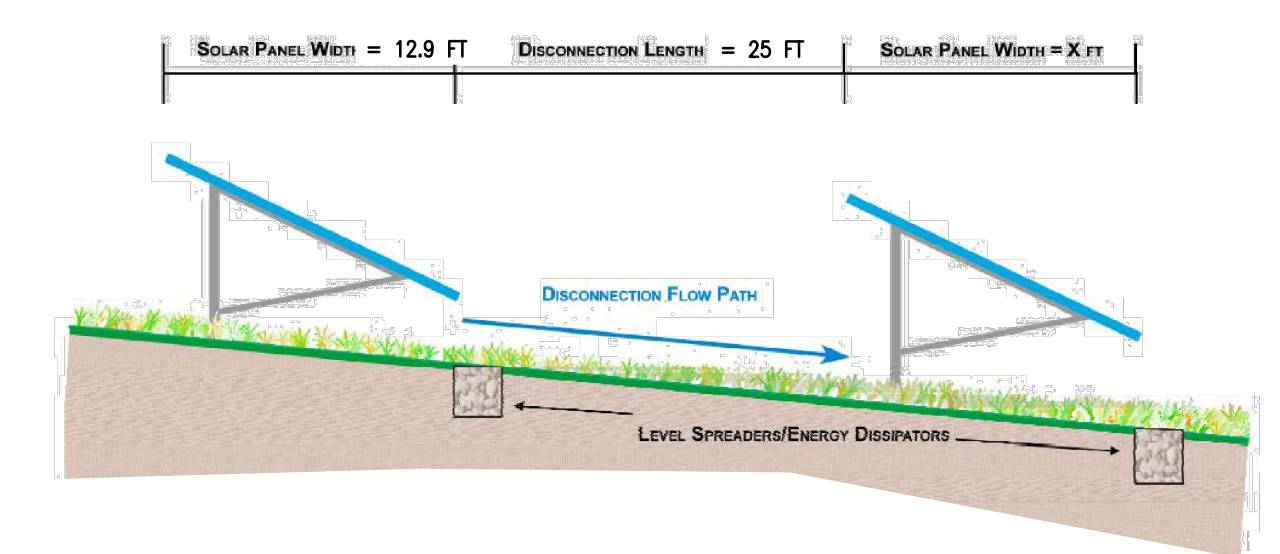
STABILIZED CONSTRUCTION ENTRANCE
NO SCALE



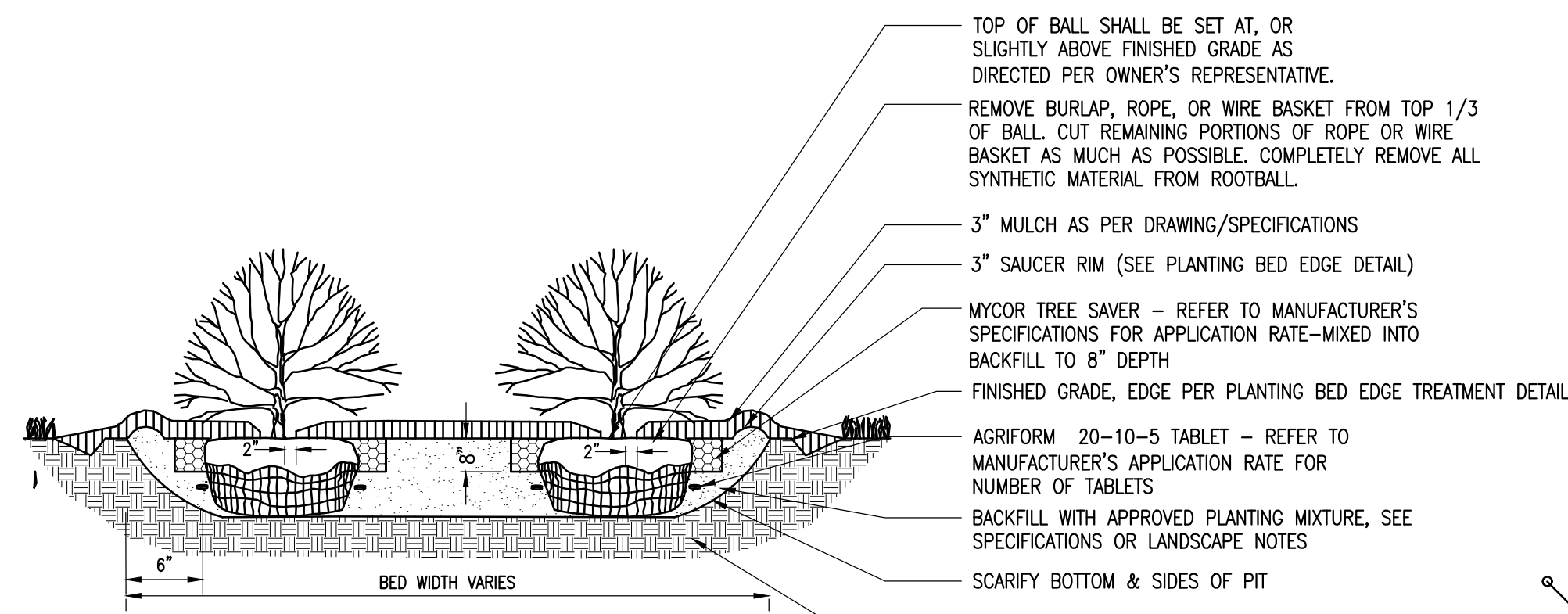
- PRUNE ONLY DAMAGED AND CONFLICTING BRANCHES TO MAINTAIN NORMAL TREE SHAPE. NEVER CUT CENTRAL TRUNK OR LEADER.
- 21\"/>
- (2) 1/8\"/>
- 1/8\"/>
- 3/8\"/>
- BOTTOM OF TRUNK FLARE SHALL BE SET ABOVE FINISHED GRADE, SEE NOTE 2 BELOW FOR DETAILS
- YELLOW MARKING RIBBON
- REMOVE BURLAP, ROPE, OR WIRE BASKET FROM TOP 1/3 OF BALL. CUT REMAINING PORTIONS OF ROPE OR WIRE BASKET AS MUCH AS POSSIBLE. COMPLETELY REMOVE ALL SYNTHETIC MATERIAL FROM ROOTBALL.
- 3\"/>
- 3\"/>
- MYCOR TREE SAVER – REFER TO MANUFACTURER'S SPECIFICATIONS FOR APPLICATION RATE—MIXED INTO BACKFILL TO 8\"/>
- FINISHED GRADE
- AGRIFORM 20–10–5 TABLET – REFER TO MANUFACTURER'S APPLICATION RATE FOR NUMBER OF TABLETS
- BACKFILL WITH APPROVED PLANTING MIXTURE, SEE SPECIFICATIONS OR LANDSCAPE NOTES
- DUCKBILL EARTH ANCHOR – TO BE SIZED AND INSTALLED PER MANUFACTURER'S INSTRUCTIONS
- SCARIFY BOTTOM OF PIT
- UNDISTURBED SUBSOIL

- NOTES:**
1. MAINTAIN A 2\"/>
 - 2. THE DISTANCE BETWEEN THE BOTTOM OF THE TRUNK FLARE AND THE FINISHED GRADE SHALL BE AS FOLLOWS:
FOR SANDY OR LOAMY SOILS: 1\"/>
 - 3. WHEN TAGGING TREES AT THE NURSERY, MARK THE NORTH SIDE OF THE TREE IN THE FIELD AND WHEN INSTALLING, ROTATE TREE TO FACE NORTH WHENEVER POSSIBLE.

EVERGREEN TREE PLANTING
NO SCALE

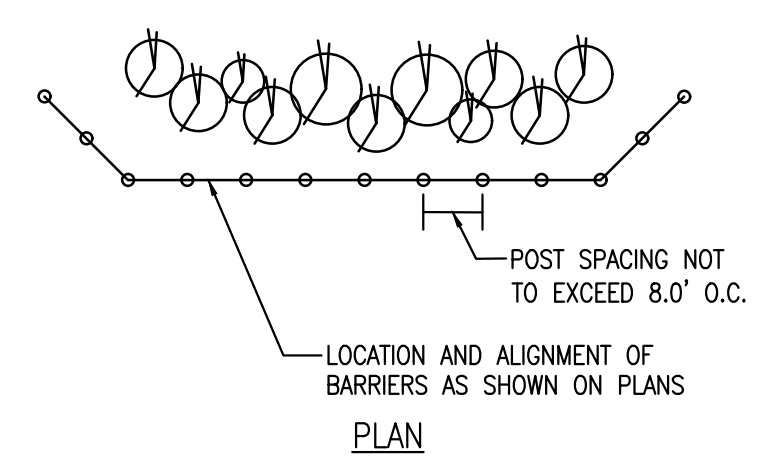
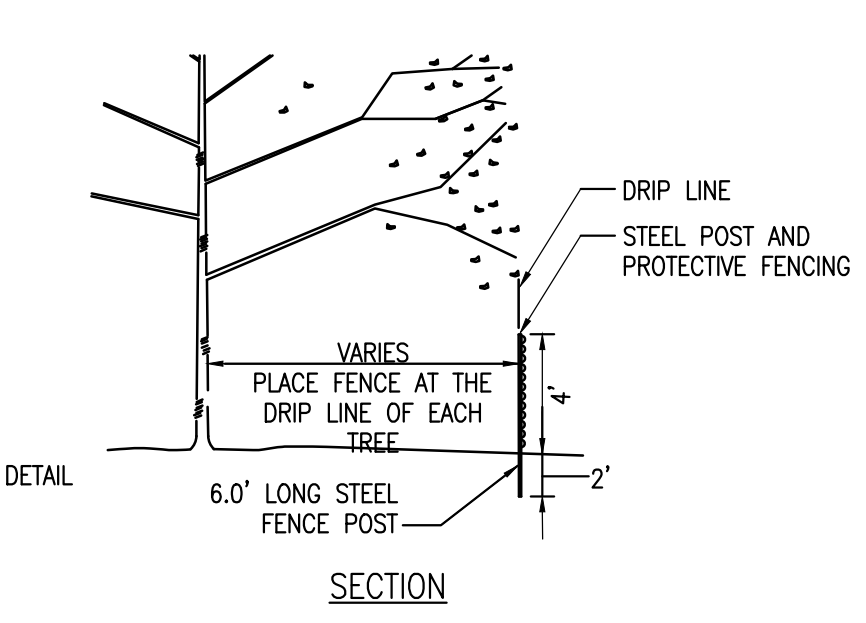


SOLAR PANEL INSTALLATION WITH LEVEL SPREADERS
N.T.S.

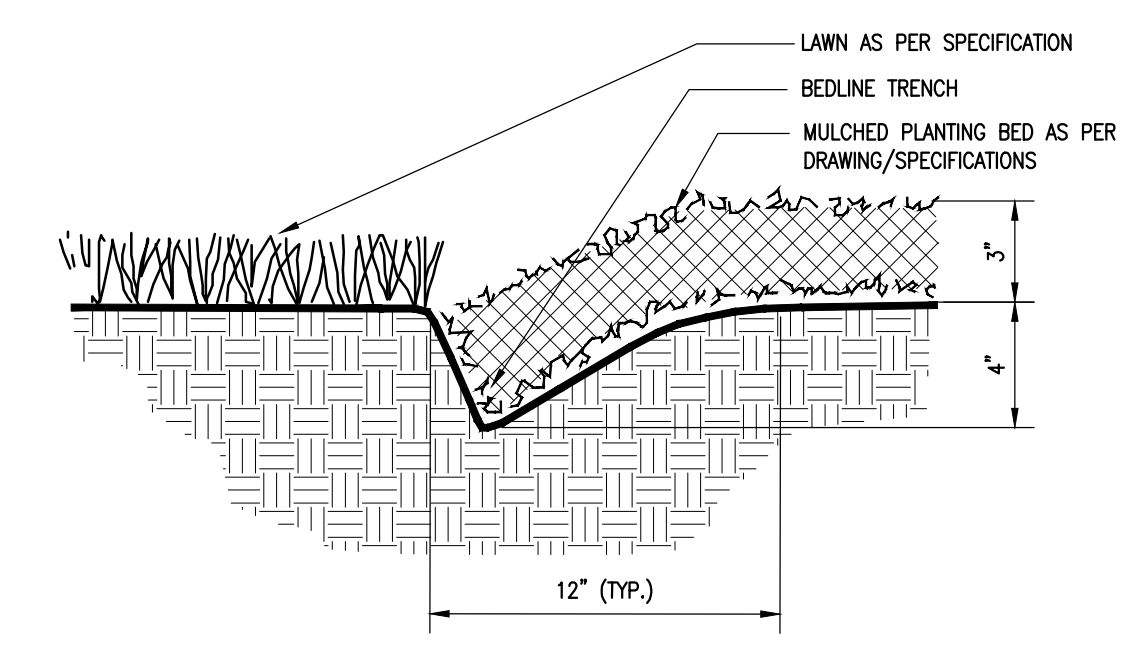


- NOTES:**
1. MAINTAIN A 2\"/>
 - 2. PLANTING BED DEPTH IN LAWN AREAS SHALL BE A MINIMUM OF 18\"/>
 - 3. ALL PLANTING BEDS SHALL BE FREE OF CONSTRUCTION DEBRIS.

SHRUB PLANTING
NO SCALE



VEGETATION PROTECTION BARRIER
NO SCALE



PLANTING BED EDGE TREATMENT
NO SCALE

CALL BEFORE YOU DIG!
NEW YORK LAW REQUIRES NOTICE AT LEAST 2 FULL WORKING DAYS, BUT NOT MORE THAN 10 FULL WORKING DAYS, BEFORE EXCAVATION IS SCHEDULED TO BEGIN.
DigSafely. New York
1-800-962-7962

YORKTOWN A SOLAR FARM
FOOTHILL STREET

TOWN OF YORKTOWN
WESTCHESTER COUNTY
NEW YORK

CON EDISON CLEAN ENERGY BUSINESSES, INC.

100 SUMMIT LAKE DRIVE
VALHALLA, NY 10595

BERGMANN
ARCHITECTS ENGINEERS PLANNERS

Bergmann Associates, Architects, Engineers, Landscape Architects & Surveyors, D.P.C.
2 Widders Circle, Suite 102
Albany, NY 12205

office: 518.862.0325

www.bergmannpc.com

REVISIONS				
NO.	DATE	DESCRIPTION	REV.	CKD
1	1/28/2021	PLAN REVISIONS	WD	ECR
2	11/22/2021	PLAN REVISIONS	WD	ECR

PRELIMINARY
NOT FOR CONSTRUCTION



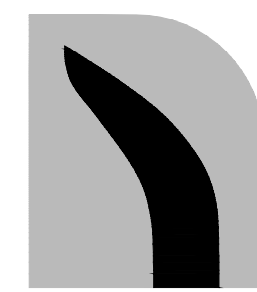
Copyright © Bergmann Associates, Architects, Engineers, Landscape Architects & Surveyors, D.P.C.

Note: Unauthorized alteration or addition to this drawing is a violation of the New York State Education Law Article 145, Section 7209.

Prepared By:	Checked By:
ECR	ECR
Designed By:	Drawn By:
WD	WD
Date Issued:	Scale:
OCTOBER 27, 2020	AS NOTED
Project Number:	Drawing Number:
14847.00	

EROSION AND SEDIMENT CONTROL DETAILS

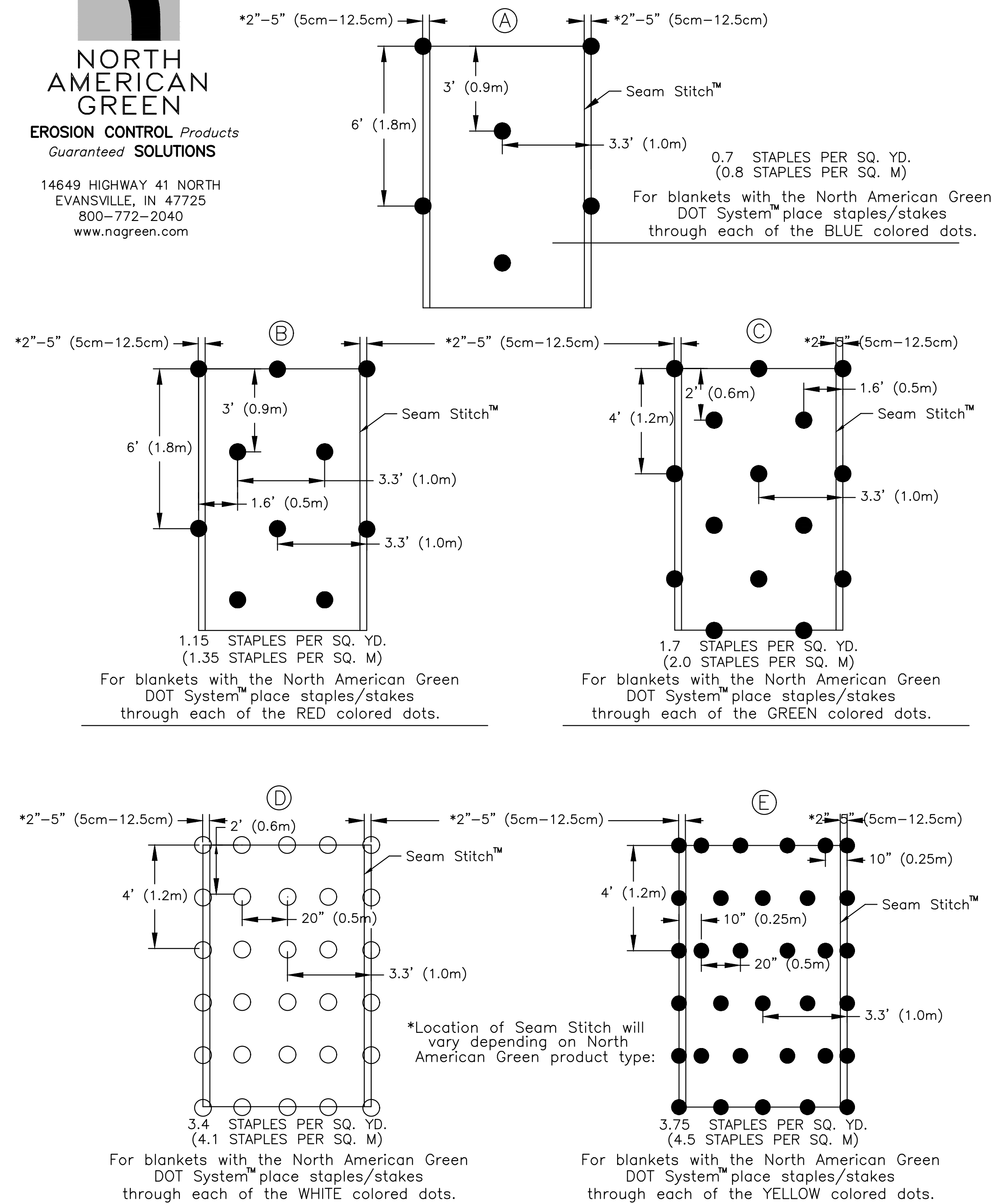
C009



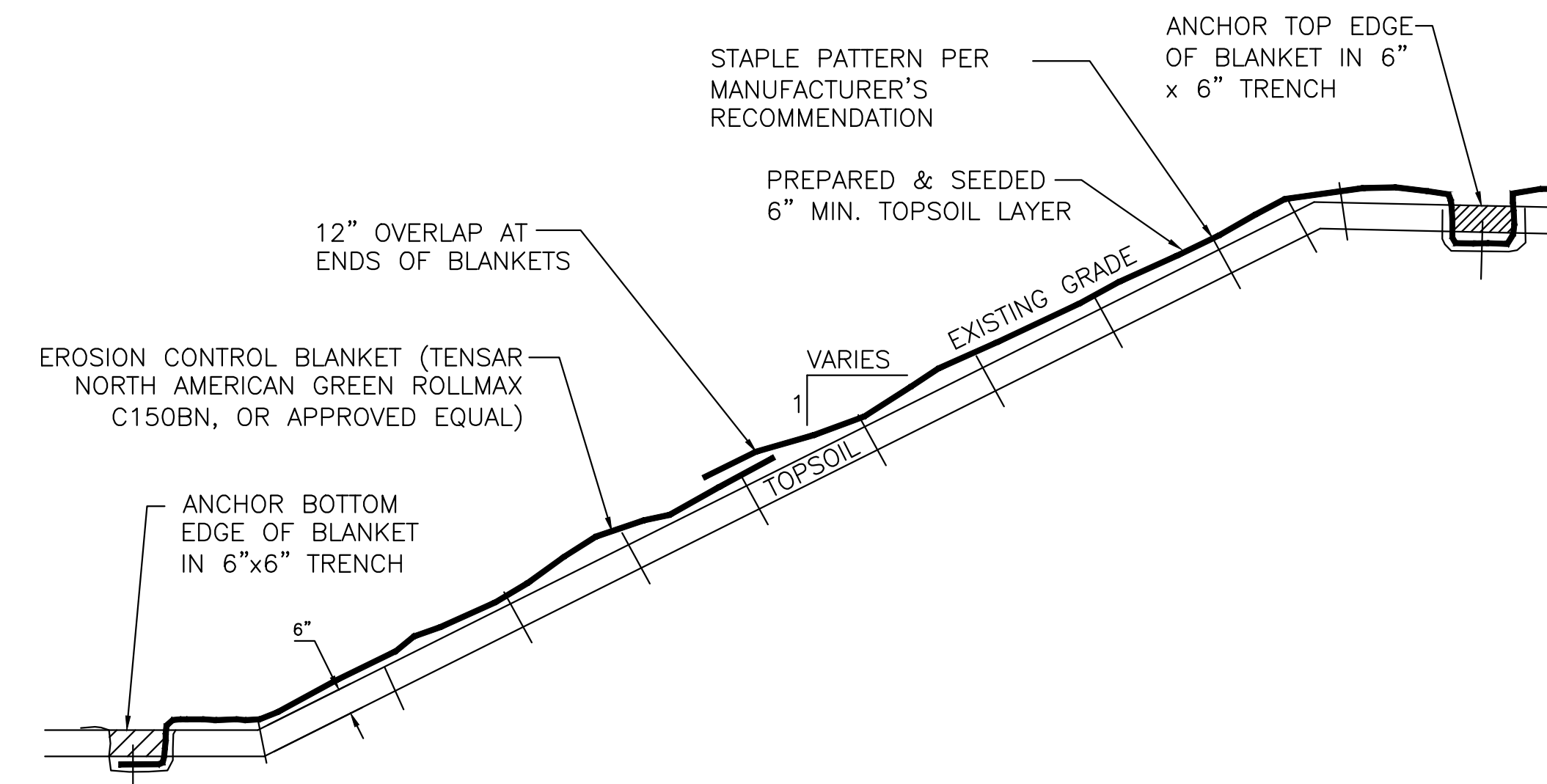
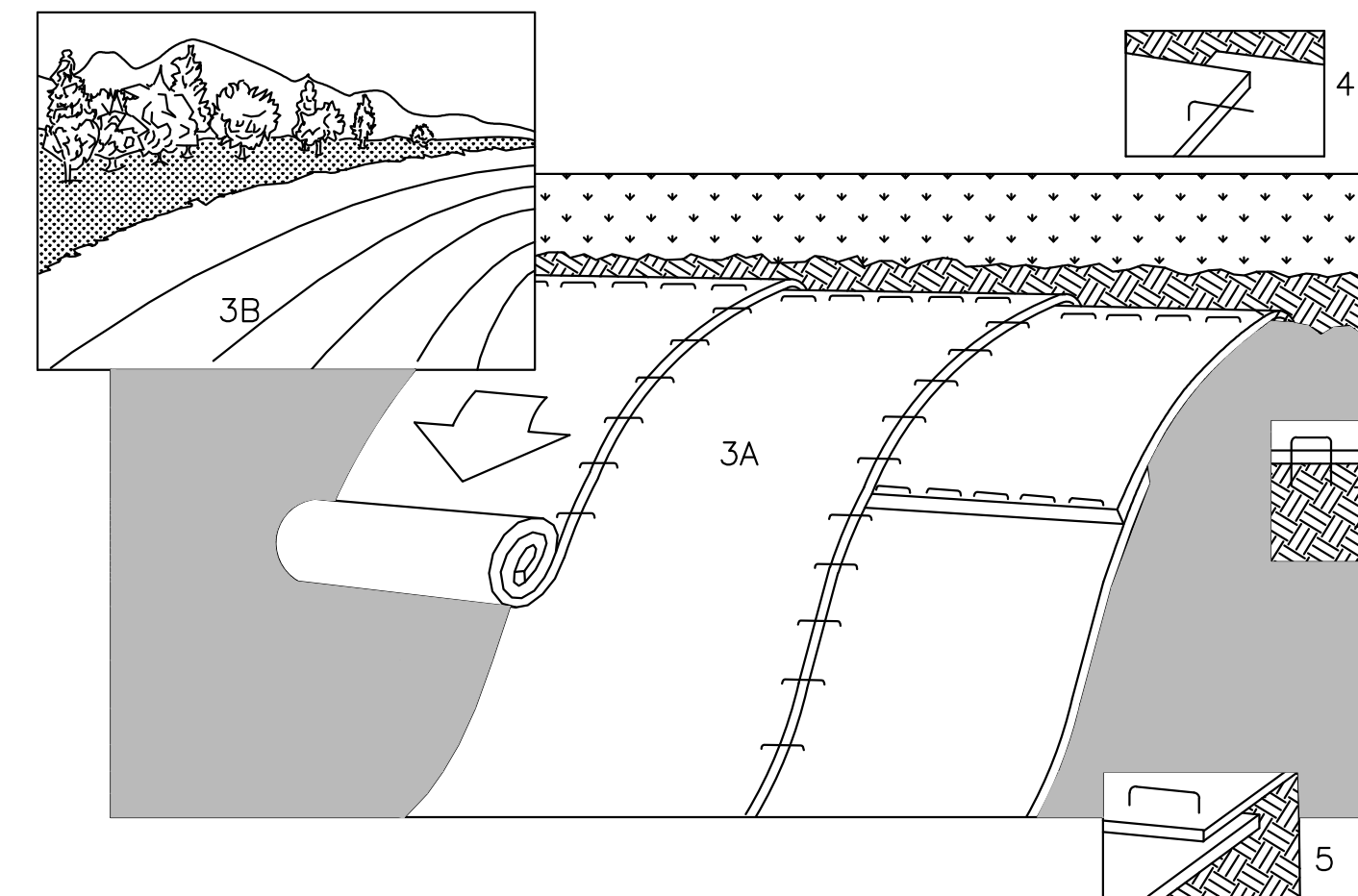
NORTH AMERICAN GREEN
EROSION CONTROL Products
Guaranteed SOLUTIONS

14649 HIGHWAY 41 NORTH
EVANSVILLE, IN 47725
800-772-2040
www.nagreen.com

DOT SYSTEM™ STAPLE PATTERN GUIDE



**EROSION CONTROL BLANKET
STAPLE PATTERN**
NO SCALE



NOTES:

1. PREPARE SOIL BEFORE INSTALLING BLANKETS, INCLUDING APPLICATION OF LIME, FERTILIZER, AND SEED.
2. BEGIN AT THE TOP OF THE SLOPE BY ANCHORING THE BLANKET IN 6" DEEP X 6" WIDE TRENCH. BACKFILL AND COMPACT THE TRENCH AFTER STAPLING.
3. ROLL THE BLANKETS (A.) DOWN OR (B.) HORIZONTALLY ACROSS THE SLOPE.
4. THE EDGES OF PARALLEL BLANKETS MUST BE STAPLED WITH APPROXIMATELY 2" OVERLAP.
5. WHEN BLANKETS MUST BE SPLICED DOWN THE SLOPE, PLACE BLANKETS END OVER END (SHINGLE STYLE) WITH APPROXIMATELY 12" OVERLAP. STAPLE THROUGH OVERLAPPED AREA, APPROXIMATELY 12" APART.
6. EROSION CONTROL BLANKETS SHALL BE INSTALLED ON ALL 3:1 OR STEEPER SLOPES WITH A MINIMUM OF 6 INCHES OF TOPSOIL.
7. REFER TO STAPLE PATTERN DETAIL FOR ADDITIONAL STAPLE INFORMATION.
8. THE USE OF FLEXIBLE GROWTH MEDIUM, BONDED FIBER MATRIX, OR POLYMER STABILIZED FIBER MATRIX, APPLIED IN ACCORDANCE WITH MANUFACTURERS SPECIFICATIONS, IS AN ACCEPTABLE ALTERNATIVE TO THE USE OF EROSION CONTROL BLANKET.

EROSION CONTROL BLANKET
NO SCALE

YORKTOWN A SOLAR FARM

FOOTHILL STREET
TOWN OF YORKTOWN
WESTCHESTER COUNTY
NEW YORK

CON EDISON CLEAN ENERGY BUSINESSES, INC.

100 SUMMIT LAKE DRIVE
VALHALLA, NY 10595

BERGMANN ARCHITECTS ENGINEERS PLANNERS

Bergmann Associates, Architects, Engineers,
Landscape Architects & Surveyors, D.P.C.
2 Winners Circle, Suite 102
Albany, NY 12205

office: 518.862.0325

www.bergmannpc.com

REVISIONS				
NO.	DATE	DESCRIPTION	REV.	CKD
1	1/28/2021	PLAN REVISIONS	WD	ECR
2	11/22/2021	PLAN REVISIONS	WD	ECR

**PRELIMINARY
NOT FOR CONSTRUCTION**



Copyright © Bergmann Associates, Architects, Engineers,
Landscape Architects & Surveyors, D.P.C.

Note:
Unauthorized alteration or addition to this drawing is a violation of
the New York State Education Law Article 145, Section 7209.

Prepared By:		Checked By:	
ECR	ECR	ECR	ECR
Designed By:	WD	Drawn By:	WD
Date Issued:	OCTOBER 27, 2020	Scale:	AS NOTED
Project Number:	14847.00		

EROSION AND SEDIMENT CONTROL DETAILS

CALL BEFORE YOU DIG!
NEW YORK LAW REQUIRES
NOTICE AT LEAST 2 FULL WORKING DAYS,
BUT NOT MORE THAN 10 FULL WORKING DAYS,
BEFORE EXCAVATION IS SCHEDULED TO BEGIN.
Dig|Safely. New York
1-800-962-7962

C010

SEED SCHEDULE 'A'

Upland Seed Mix		
Low-Growing Wildflower & Grass Mix - ERNMX #156		
Seeding Rate: 20 lb per acre with a cover crop of grain rye at 30 lb per acre		
SCIENTIFIC NAME	COMMON NAME	% OF MIX
Festuca ovina	Sheep Fescue, Variety Not Stated	63.60%
Lolium multiflorum (L. perenne var. italicum)	Annual Ryegrass	17%
Linum perenne ssp. lewisii	Perennial Blue Flax	8%
Rudbeckia hirta	Blackeyed Susan, Coastal Plain NC Ecotype	2%
Coreopsis lanceolata	Lanceleaf Coreopsis, Coastal Plain NC Ecotype	2%
Chrysanthemum leucanthemum	Oxeye Daisy	2%
Chrysanthemum maximum	Shasta Daisy	1%
Chamaecrista fasciculata (Cassia f.)	Partridge Pea, PA Ecotype	1%
Papaver rhoeas, Shirley Mix	Corn Poppy/Shirley Mix	1%
Achillea millefolium	Common Yarrow	0.5%
Aster oblongifolius (Symphyotrichum oblongifolium)	Aromatic Aster, PA Ecotype	0.5%
Eupatorium coelestinum (Conoclinium c.)	Mistflower, VA Ecotype	0.5%
Monarda punctata, Coastal Plain SC Ecotype	Spotted Beebalm, Coastal Plain SC Ecotype	0.5%
Asclepias tuberosa	Butterfly Milkweed	0.3%
Pycnanthemum tenuifolium	Slender Mountainmint	0.1%
Company Information		
Ernst Conservation Seeds, Inc.		
Address: 8884 Mercer Pike, Meadville, PA 16335		
Phone: (800) 873-3321		
Web: http://www.ernstseed.com		

* CURRENT ERNST SEED MIX COMPOSITION OR APPROVED EQUIVALENT
 * PROVIDE TEMPORARY SEEDING OF ANNUAL RYEGRASS (LOLIUM MULTIFLORUM) WITHIN SEEDING LIMITS AT RATE OF 20 LBS. PER ACRE

SEED SCHEDULE 'B'

OBL-FACW Wetland Mix		
ERNMX #120		
Seeding Rate: 20 lb per acre or 1/2 lb per 1000 sq ft		
SCIENTIFIC NAME	COMMON NAME	% OF MIX
Elymus virginicus	Virginia Wildrye	20%
Poa palustris	Fowl Bluegrass	20%
Carex lurida	Lurid Shallow Sedge	17%
Carex lupulina	Hop Sedge	9%
Carex scoparia	Blunt Broom Sedge	8%
Carex vulpinoidea	Fox Sedge	5%
Panicum clandestinum Dichanthelium c.	Deertongue 'Tioga'	5%
Sparganium eurycarpum	Giant Bur Reed	4%
Sparganium americanum	Eastern Bur Reed	3%
Juncus effusus	Soft Rush	3%
Carex crinita	Fringed Nodding Sedge	2%
Leersia oryzoides	Rice Cutgrass	2%
Scirpus cyperinus	Woolgrass	2%
Juncus tenuis	Path Rush	0.5%
Company Information		
Ernst Conservation Seeds Inc.		
Address: 8884 Mercer Pike Meadville PA 16335		
Phone: 800 873-3321		
Web: http://www.ernstseed.com		

* CURRENT ERNST SEED MIX COMPOSITION OR APPROVED EQUIVALENT
 * PROVIDE TEMPORARY SEEDING OF ANNUAL RYEGRASS (LOLIUM MULTIFLORUM) WITHIN SEEDING LIMITS AT RATE OF 20 LBS. PER ACRE

SITE STABILIZATION – SEED MIX

SOIL AMENDMENT APPLICATION RATE EQUIVALENTS					
SOIL AMENDMENT	PER ACRE	PER 1,000 SQ. FT.	PER 1,000 SQ. YD.	NOTES	
TEMPORARY PERMANENT SEEDING	AGRICULTURAL LIME	6 TONS	240 LB.	2,480 LB.	OR AS PER SOIL TEST: MAY NOT BE REQUIRED IN AGRICULTURAL FIELDS
	10-10-20 FERTILIZER	1,000 L.B.	25 LB.	210 LB.	
TEMPORARY SEEDING	AGRICULTURAL LIME	1 TON	40 LB.	410 LB.	TYPICALLY NOT REQUIRED FOR TOPSOIL STOCKPILES
	10-10-20 FERTILIZER	500 LB.	12.5 LB.	100 LB.	
COMPOST STANDARDS					
ORGANIC MATTER CONTENT		80% - 100% (DRY WEIGHT BASIS)			
ORGANIC PORTION		FIBROUS AND ELONGATED			
pH		5.5 - 8.0			
MOISTURE CONTENT		35% - 55%			
PARTICLE SIZE		98% PASS THROUGH 1" SCREEN			
SOLUBLE SALT CONCENTRATION		5.0 dS/m (mmhos/cm) MAXIMUM			
MULCH APPLICATION RATES					
MULCH TYPE	APPLICATION RATE (MIN.)			NOTES	
	PER ACRE	PER 1,000 SQ. FT.	PER 1,000 SQ. YD.		
STRAW	3 TONS	140 LB.	1,240 LB.	EITHER WHEAT OR OAT STRAW, FREE OF WEEDS, NOT CHOPPED OR FINELY BROKEN	
HAY	3 TONS	140 LB.	1,240 LB.	TIMOTHY, MIXED CLOVER AND TIMOTHY, OR OTHER NATIVE FORAGE GRASSES	
WOOD CELLULOSE	1,500 LB.	35 LB.	310 LB.	DO NOT USE ALONE IN WINTER, DURING HOT AND DRY WEATHER OR ON STEEP SLOPES (> 3:1)	
WOOD	1,000 LB. CELLULOSE	25 LB.	210 LB.	WHEN USED OVER STRAW OR HAY	
WOOD CHIPS	4 - 6 TONS	185 - 275 LB.	1,650 - 2,500 LB.	MAY PREVENT GERMINATION OF GRASSES AND LEGUMES	

NOTES:

- WHEN FINAL GRADE IS ACHIEVED DURING NON-GERMINATING MONTHS, THE AREA SHOULD BE TEMPORARILY STABILIZED UNTIL THE BEGINNING OF THE NEXT PLANTING SEASON.
- MULCHES SHOULD BE APPLIED AT THE RATES SHOWN IN THE MULCH APPLICATION RATES TABLE. VERY LITTLE BARE GROUND SHOULD BE VISIBLE THROUGH THE MULCH.
- STRAW AND HAY MULCH SHOULD BE ANCHORED OR TACKIFIED IMMEDIATELY AFTER APPLICATION TO PREVENT BEING WINDBLOWN.
- TOPSOIL SHOULD BE UNIFORMLY DISTRIBUTED ACROSS THE DISTURBED AREA TO A DEPTH OF 4 INCHES MINIMUM. SPREADING SHOULD BE DONE IN SUCH A MANNER THAT SEEDING CAN PROCEED WITH A MINIMUM OF ADDITIONAL PREPARATION OR TILLAGE.
- TOPSOIL SHOULD NOT BE PLACED WHILE THE TOPSOIL OF SUBSOIL IS IN A FROZEN OR MUDDY CONDITION, WHEN THE SUBSOIL IS EXCESSIVELY WET, OR IN A CONDITION THAT MAY OTHERWISE BE DETRIMENTAL TO PROPER GRADING AND SEEDBED PREPARATION.
- WHEN USED AS A MULCH REPLACEMENT, THE APPLICATION RATE (THICKNESS) OF THE COMPOST SHOULD BE 1/2" TO 3/4". COMPOST SHOULD BE PLACED EVENLY AND SHOULD PROVIDE 100% SOIL COVERAGE. NO SOIL SHOULD BE VISIBLE.
- BLANKETING SHALL BE USED ON ALL SLOPES 3H:1V OR STEEPER OR AS NOTED ON THE PLANS.
- PERMANENT STABILIZATION SHALL BE INSTALLED IMMEDIATELY UPON COMPLETION OF EARTH DISTURBANCE.
- WETLAND SEED MIX SHOULD BE INSTALLED ONLY IN DRY SWALE.

YORKTOWN A SOLAR FARM

FOOTHILL STREET

TOWN OF YORKTOWN
WESTCHESTER COUNTY
NEW YORK

CON EDISON CLEAN ENERGY BUSINESSES, INC.

100 SUMMIT LAKE DRIVE
VALHALLA, NY 10595



Bergmann Associates, Architects, Engineers,
Landscape Architects & Surveyors, D.P.C.
2 Winners Circle, Suite 102
Albany, NY 12205

office: 518.862.0325

www.bergmannpc.com

REVISIONS				
NO.	DATE	DESCRIPTION	REV.	CKD
1	1/28/2021	PLAN REVISIONS	WD	ECR
2	11/22/2021	PLAN REVISIONS	WD	ECR

**PRELIMINARY
NOT FOR CONSTRUCTION**



Copyright © Bergmann Associates, Architects, Engineers,
Landscape Architects & Surveyors, D.P.C

Note:
Unauthorized alteration or addition to this drawing is a violation of
the New York State Education Law Article 145, Section 7209.

Prepared By:	Checked By:
ECR	ECR
Designed By:	Drawn By:
WD	WD
Date Issued:	Scale:
OCTOBER 27, 2020	AS NOTED
Project Number:	
14847.00	

SITE DETAILS

CALL BEFORE YOU DIG!
 NEW YORK LAW REQUIRES
 NOTICE AT LEAST 2 FULL WORKING DAYS,
 BUT NOT MORE THAN 10 FULL WORKING DAYS,
 BEFORE EXCAVATION IS SCHEDULED TO BEGIN.
 Dig|Safely. New York
 1-800-962-7962

C011

YORKTOWN A SOLAR FARM

FOOTHILL STREET

TOWN OF YORKTOWN
WESTCHESTER COUNTY
NEW YORK

CON EDISON CLEAN ENERGY BUSINESSES, INC.

100 SUMMIT LAKE DRIVE
VALHALLA, NY 10595

B BERGMANN
ARCHITECTS ENGINEERS PLANNERS

Bergmann Associates, Architects, Engineers,
Landscape Architects & Surveyors, D.P.C.
2 Winners Circle, Suite 102
Albany, NY 12205

office: 518.862.0325

www.bergmannpc.com

REVISIONS

NO.	DATE	DESCRIPTION	REV.	CK'D
1	1/28/2021	PLAN REVISIONS	WD	ECR
2	11/22/2021	PLAN REVISIONS	WD	ECR

**PRELIMINARY
NOT FOR CONSTRUCTION**



Copyright © Bergmann Associates, Architects, Engineers,
Landscape Architects & Surveyors, D.P.C.

Note:
Unauthorized alteration or addition to this drawing is a violation of
the New York State Education Law Article 145, Section 7209.

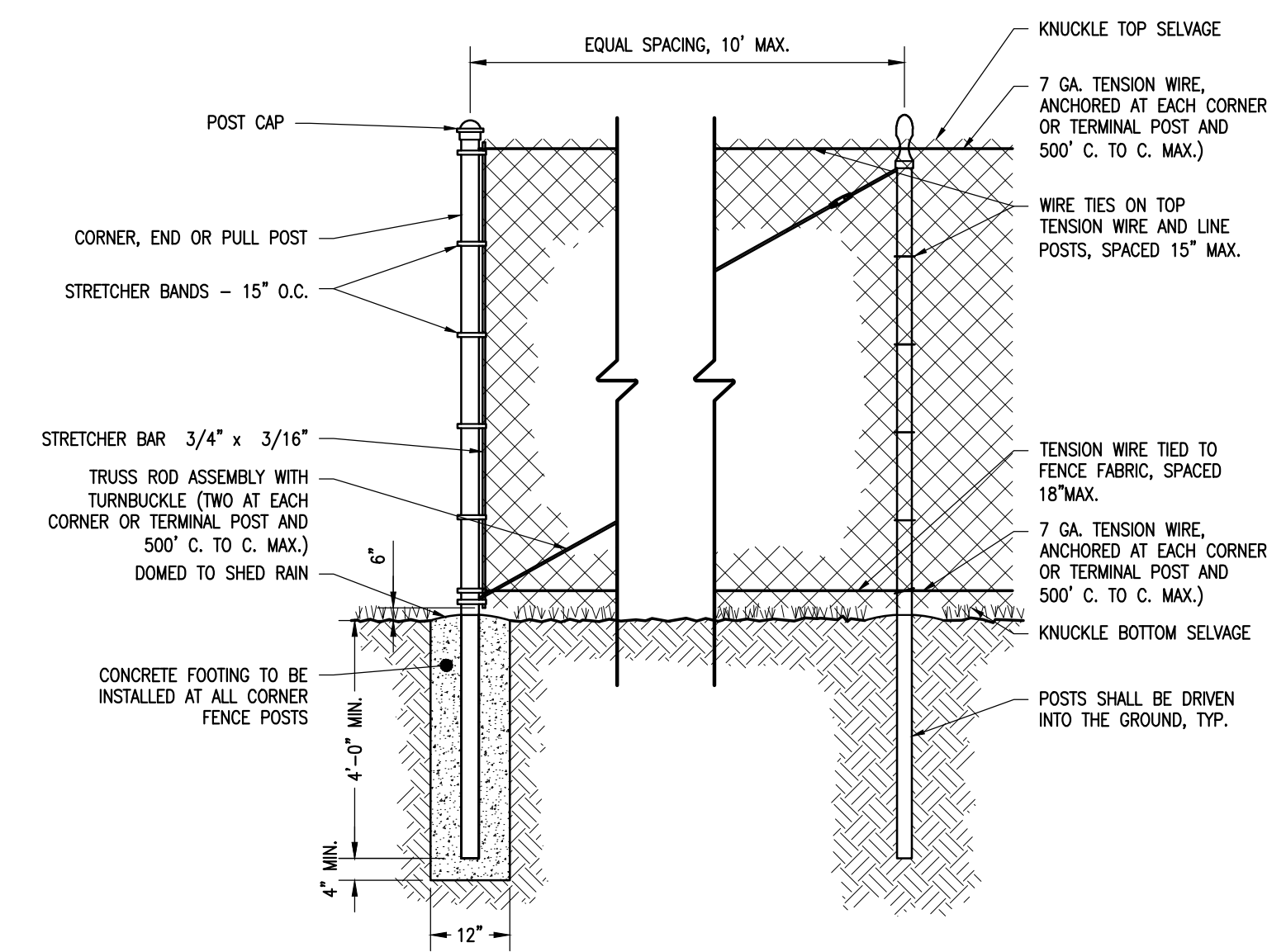
Prepared By:	Checked By:
ECR	ECR
Designed By:	Drawn By:
WD	WD
Date Issued:	Scale:
OCTOBER 27, 2020	AS NOTED
Project Number:	14847.00

**CONSTRUCTION
DETAILS**

CALL BEFORE YOU DIG!
NEW YORK LAW REQUIRES
NOTICE AT LEAST 2 FULL WORKING DAYS,
BUT NOT MORE THAN 10 FULL WORKING DAYS,
BEFORE EXCAVATION IS SCHEDULED TO BEGIN.
DigSafely. New York
1-800-962-7962

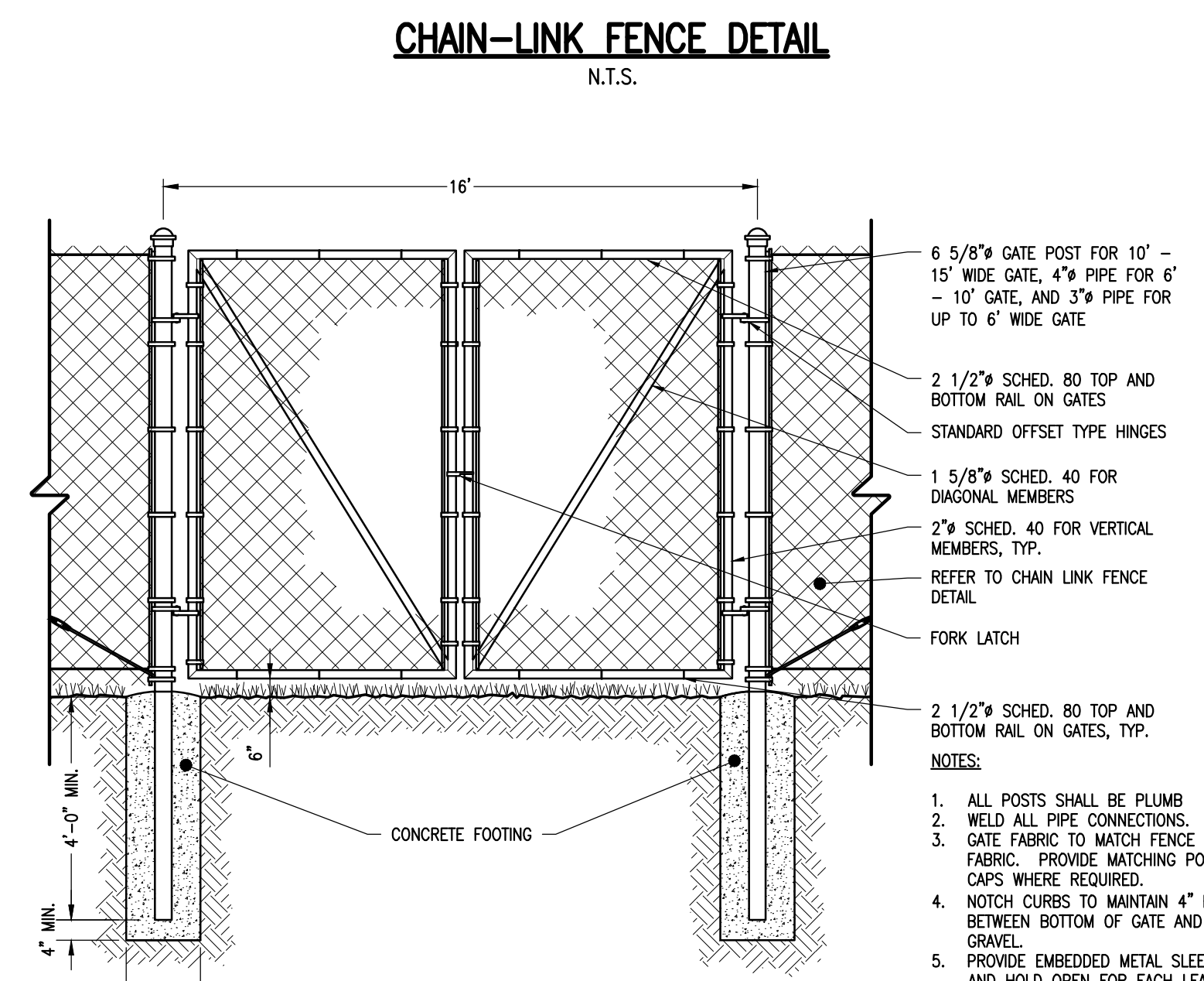
Drawing Number:

C012

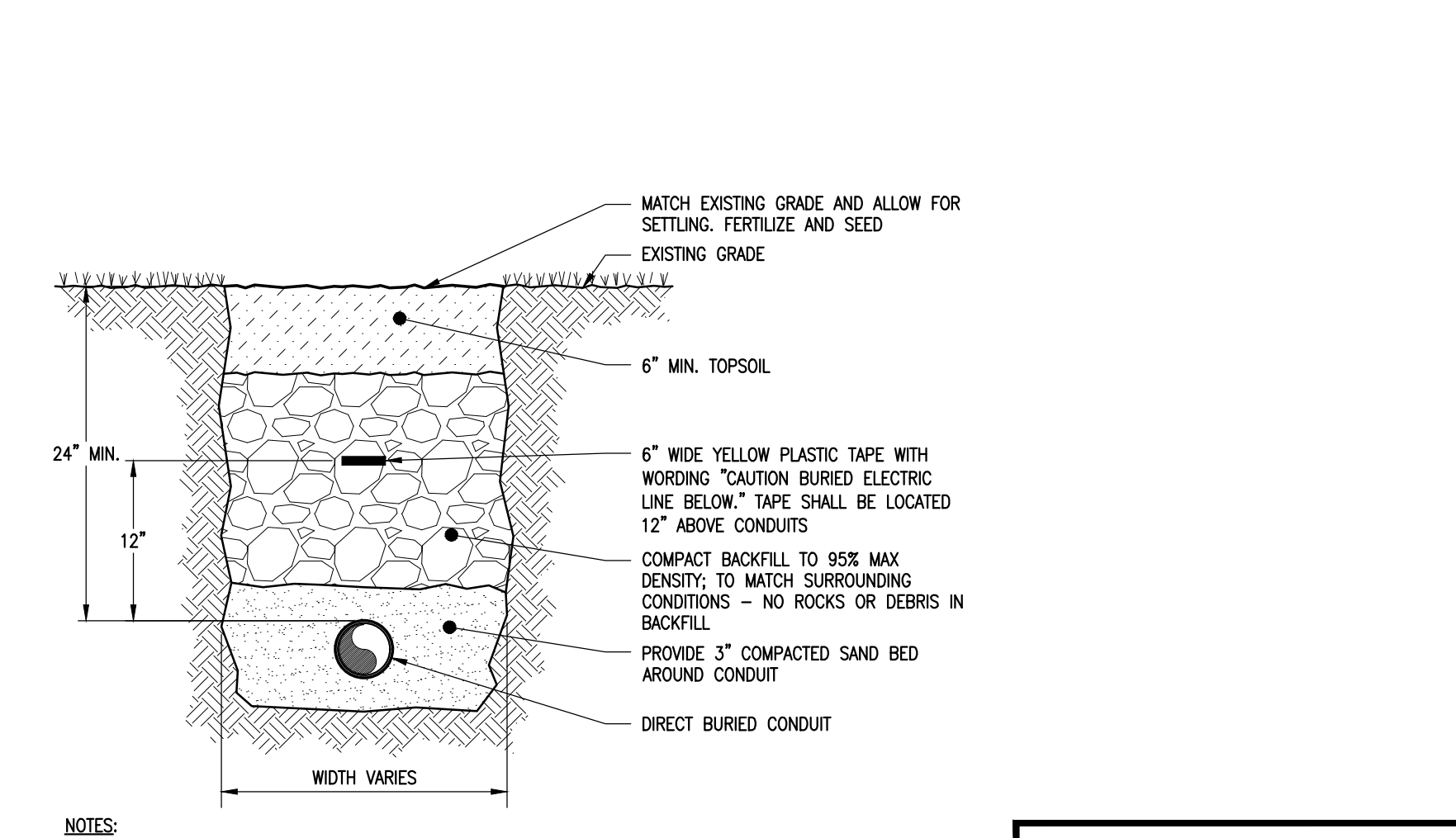


- NOTES:
- ALL POSTS SHALL BE PLUMB
 - WIRE TIES SHALL BE PLACED 15" ON CENTER ALONG TOP RAIL AND LINE POSTS.

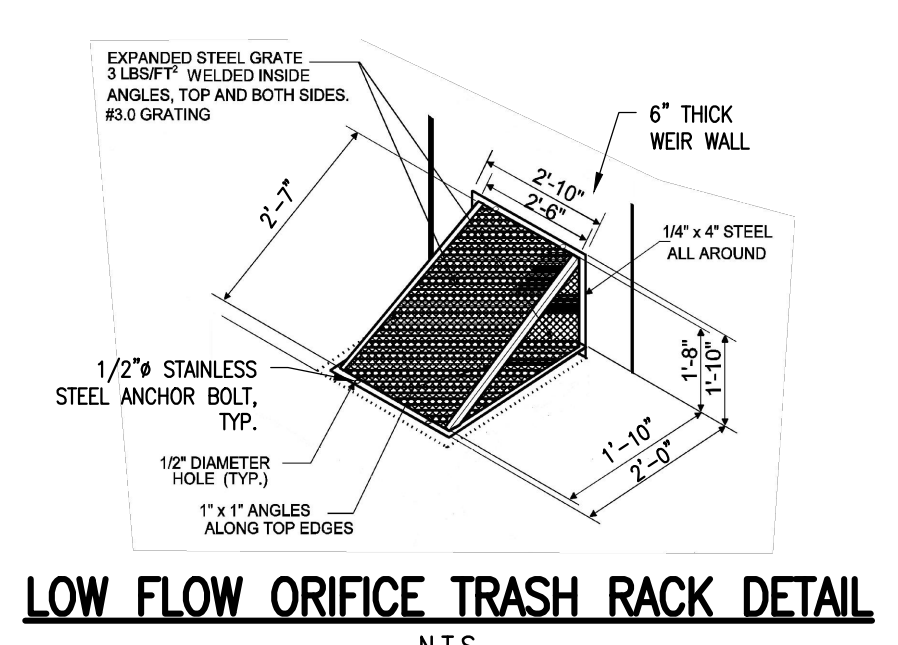
USE	NOM. OD.
LINE POSTS	2 1/2"
CORNER, END, GATE, & PULL POSTS	3"
RAILS	1 5/8"
GATE FRAMES	2"



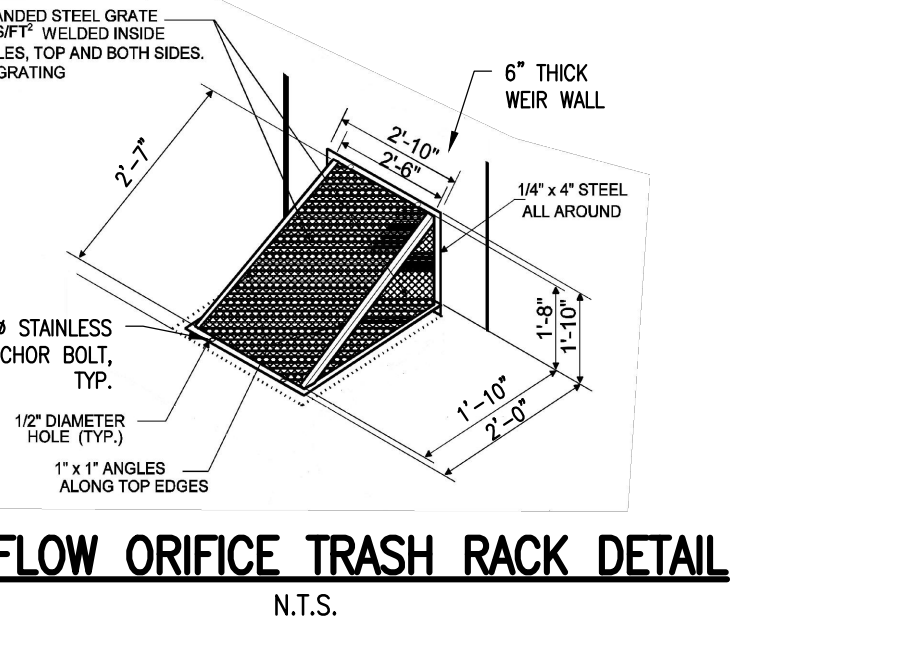
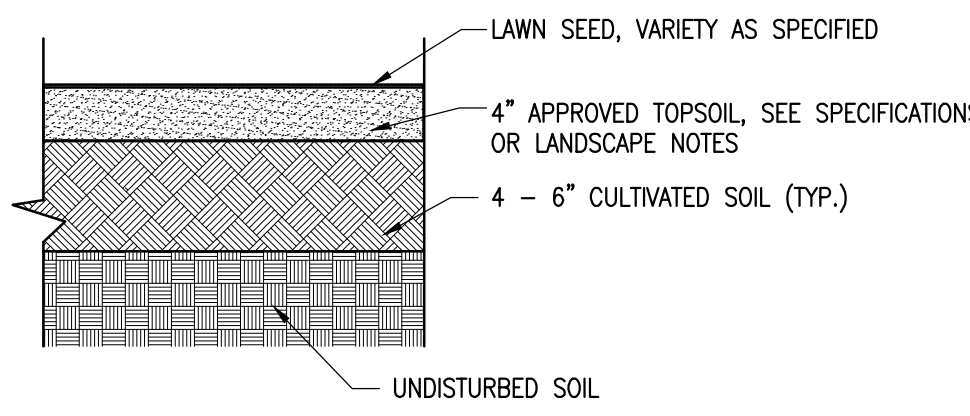
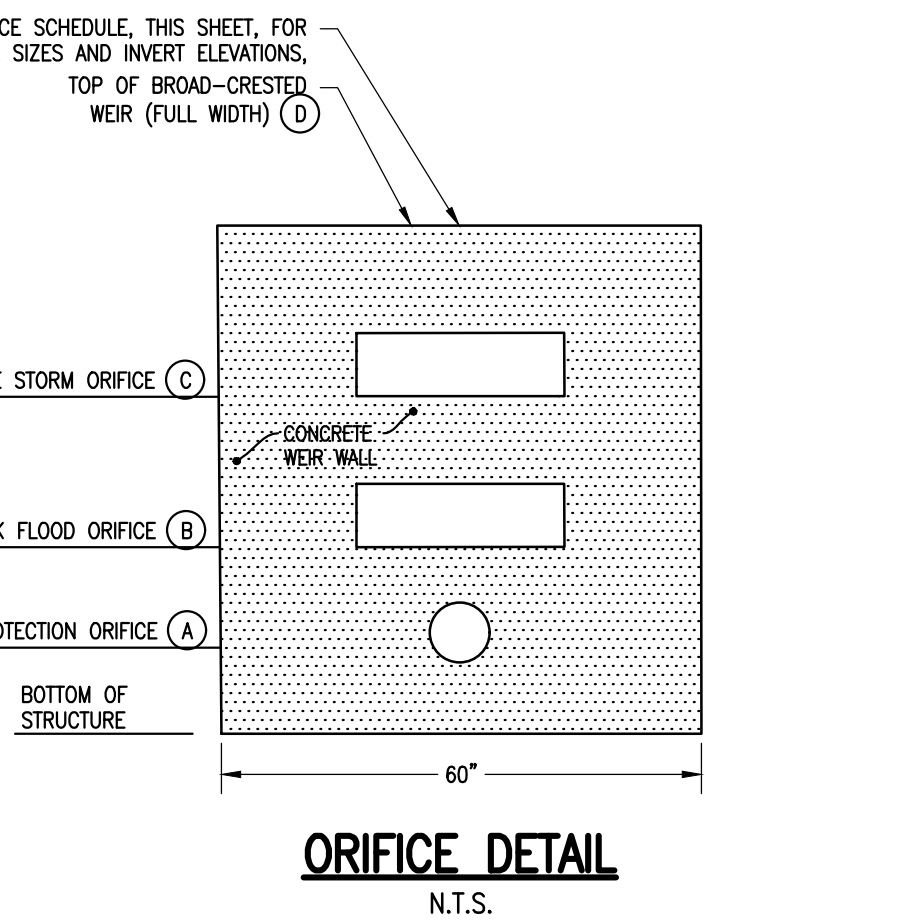
- NOTES:
- ALL POSTS SHALL BE PLUMB
 - WELD ALL PIPE CONNECTIONS.
 - GATE FABRIC TO MATCH FENCE FABRIC. PROVIDE MATCHING POST CAPS WHERE REQUIRED.
 - NOTCH CURBS TO MAINTAIN 4" HEIGHT BETWEEN BOTTOM OF GATE AND GRAVEL.
 - PROVIDE EMBEDDED METAL SLEEVE AND HOLD OPEN FOR EACH LEAF OF GATE.
 - CONTRACTOR SHALL INSTALL A KNOX BOX NEXT TO GATE FOR FIRE DEPARTMENT ACCESS.
 - POSTS SHALL BE DRIVEN INTO THE GROUND.
 - PROVIDE 6" WILDLIFE GAP BELOW FENCE



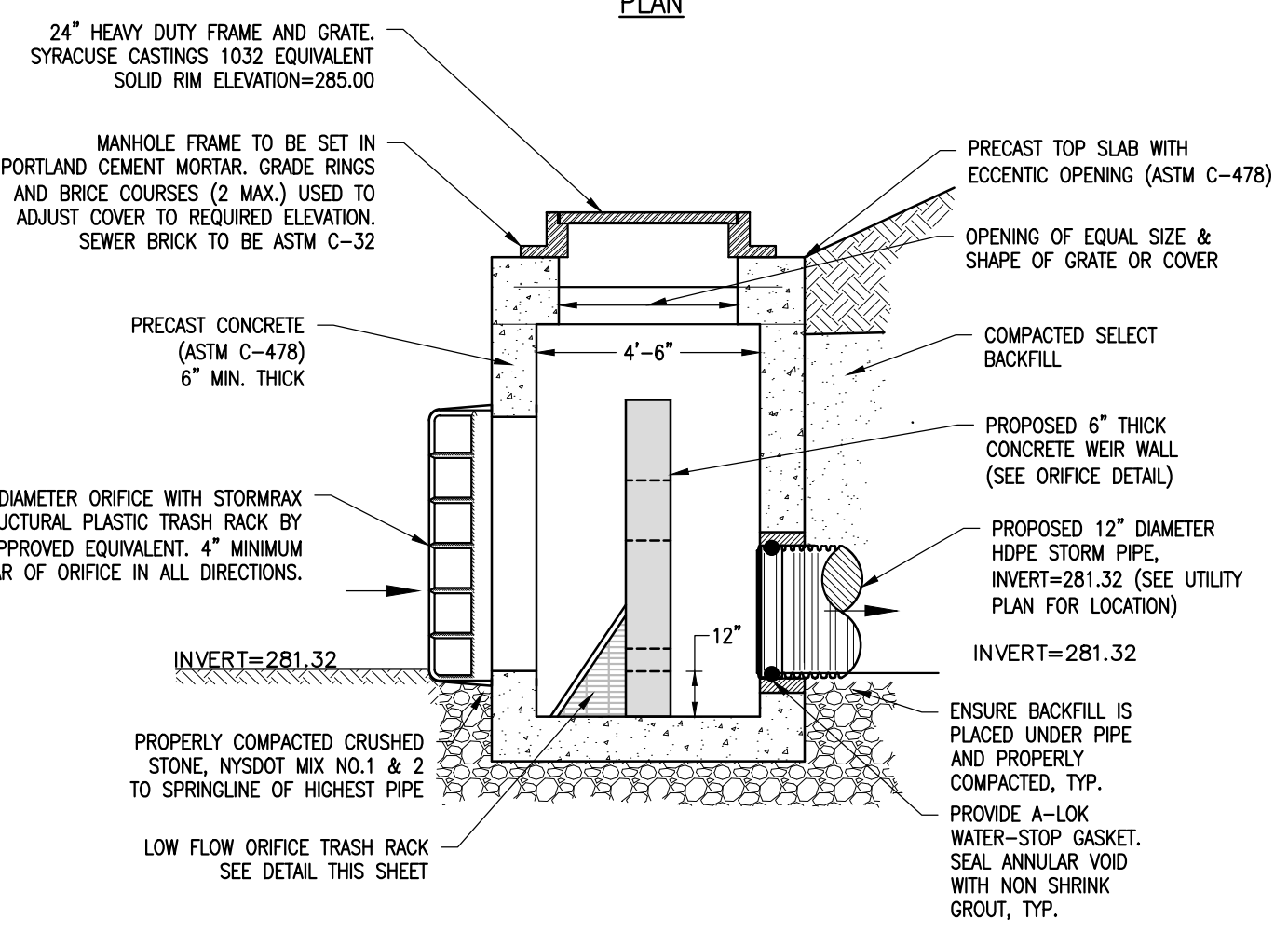
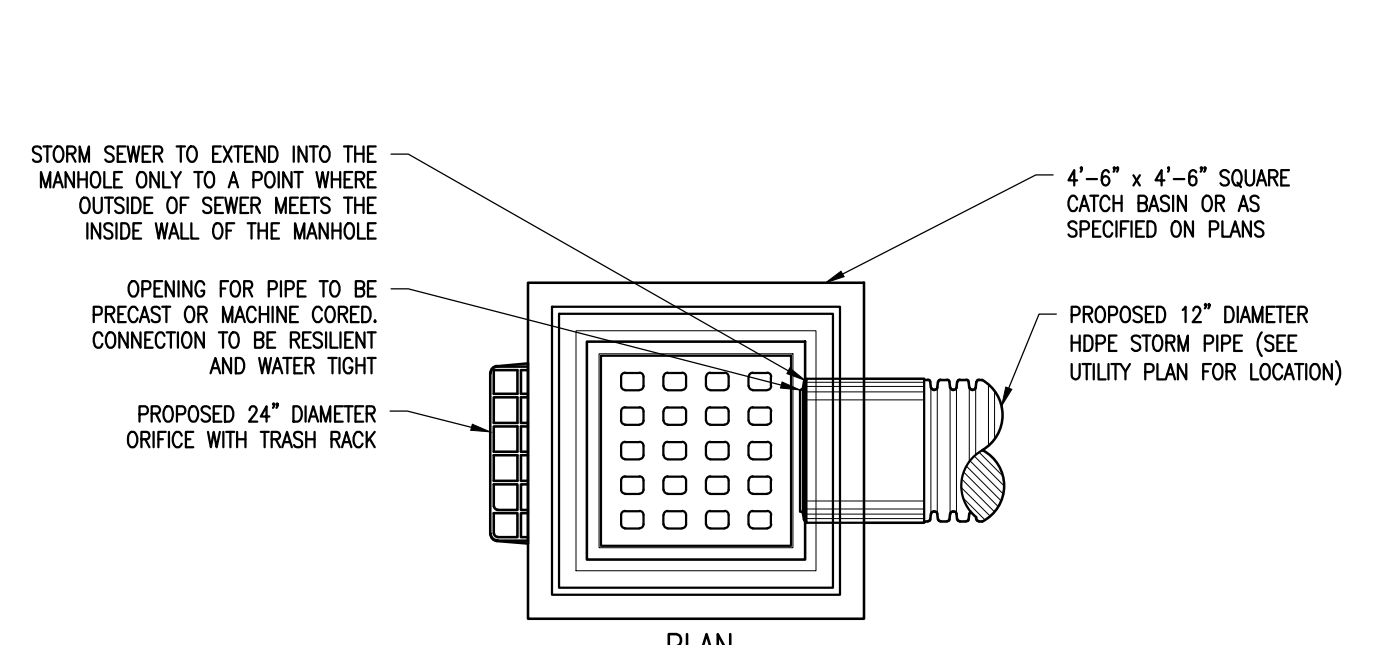
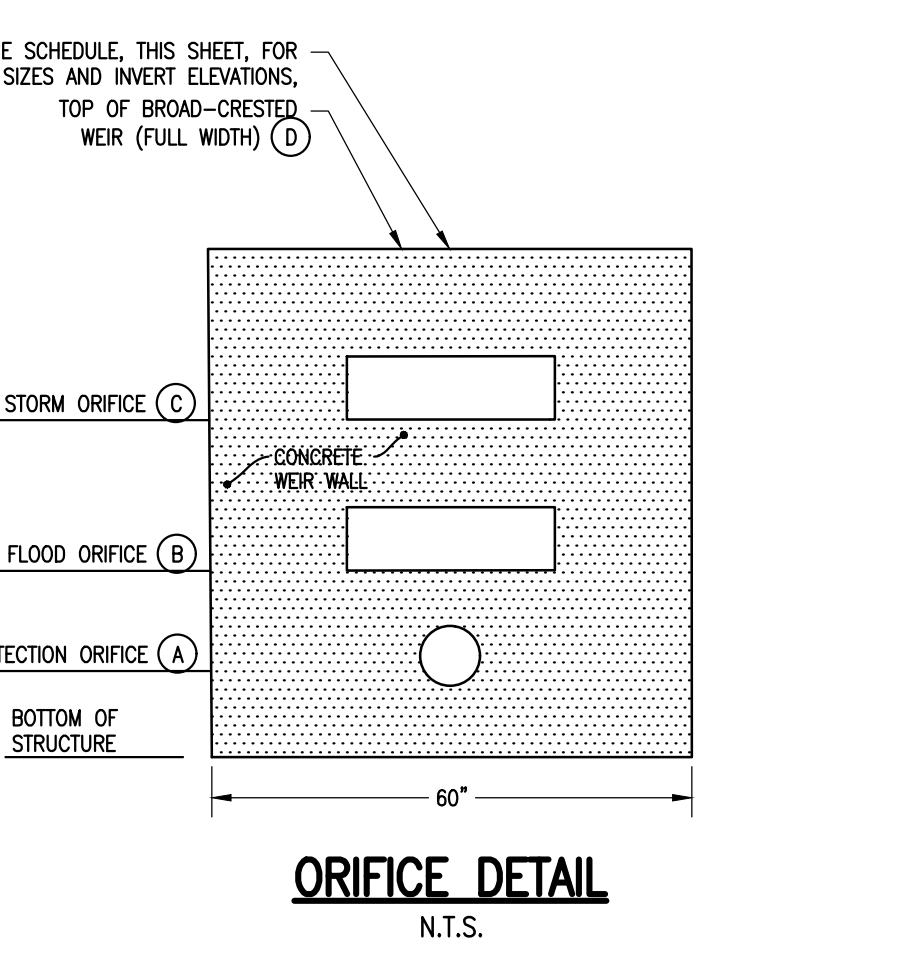
- NOTES:
- REPAIR ALL SETTLEMENT
 - MINIMUM TOP SOIL DEPTH 6"
 - MULTIPLE CONDUITS SHALL BE SPACED 7" ON CENTER



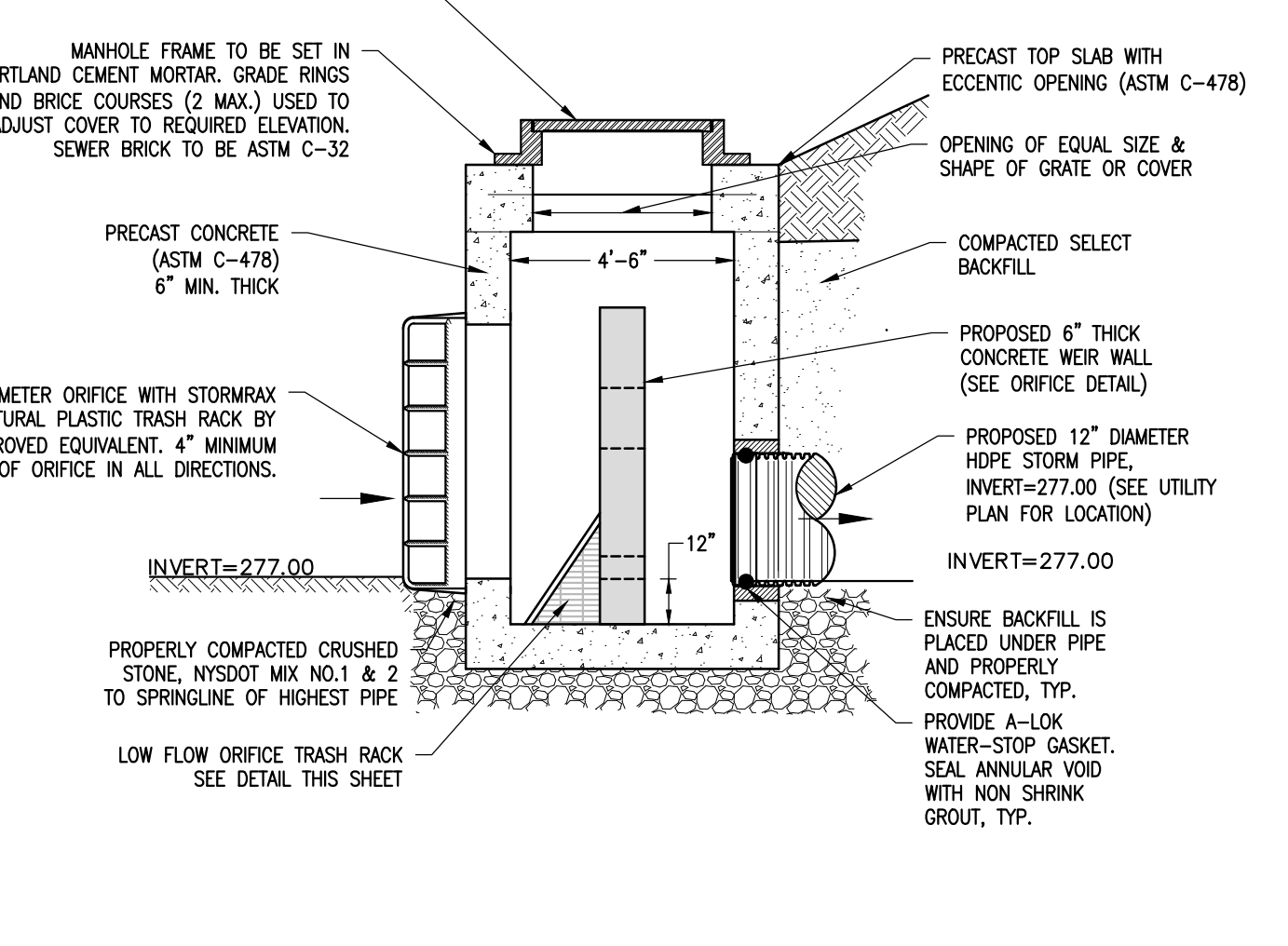
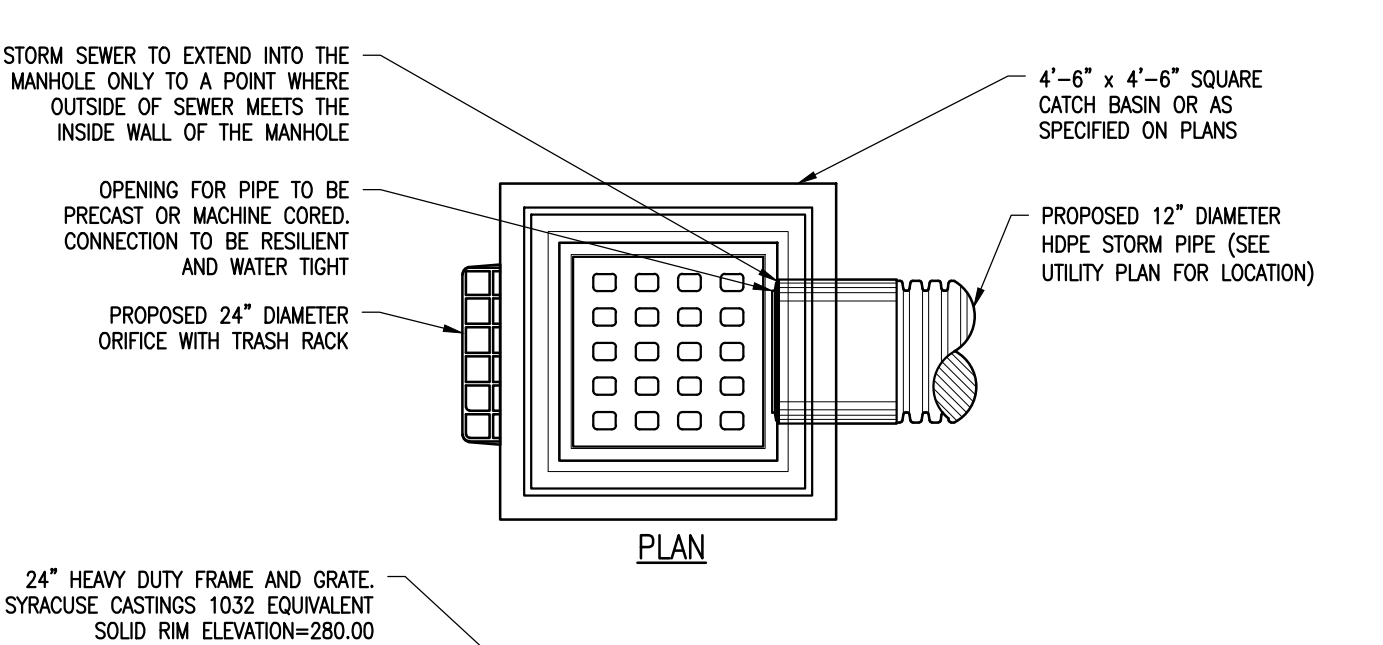
CONTROL STRUCTURE	(A) SIZE	(A) ELEV	(B) SIZE	(B) ELEV	(C) SIZE	(C) ELEV	(D) ELEV
1	3"	281.32	30"x8"	281.75	30"x6"	283.10	284.00



CONTROL STRUCTURE	(A) SIZE	(A) ELEV	(B) SIZE	(B) ELEV	(C) SIZE	(C) ELEV	(D) ELEV
1	3"	277.00	20"x6"	277.50	30"x6"	278.10	279.00



OUTLET CONTROL STRUCTURE 1 DETAIL
N.T.S.



OUTLET CONTROL STRUCTURE 2 DETAIL
N.T.S.

11/23/2021 1:55 PM M:\Con Edison CEB\014847\00 Con Edison CEB - Yorktown A Solar Farm\4.0 Dwg\4.1 CIV\114847-00 Notes & Details.dwg

YORKTOWN A SOLAR FARM

FOOTHILL STREET

TOWN OF YORKTOWN
WESTCHESTER COUNTY
NEW YORK

**CON EDISON CLEAN
ENERGY BUSINESSES, INC.**

100 SUMMIT LAKE DRIVE
VALHALLA, NY 10595



Bergmann Associates, Architects, Engineers,
Landscape Architects & Surveyors, D.P.C.
2 Winners Circle, Suite 102
Albany, NY 12205

office: 518.862.0325

www.bergmannpc.com

REVISIONS					
NO.	DATE	DESCRIPTION	REV.	CKD	ECR
1	1/28/2021	PLAN REVISIONS	WD	WD	ECR
2	11/22/2021	PLAN REVISIONS	WD	WD	ECR

**PRELIMINARY
NOT FOR CONSTRUCTION**



Copyright © Bergmann Associates, Architects, Engineers,
Landscape Architects & Surveyors, D.P.C.

Note:
Unauthorized alteration or addition to this drawing is a violation of
the New York State Education Law Article 145, Section 7209.

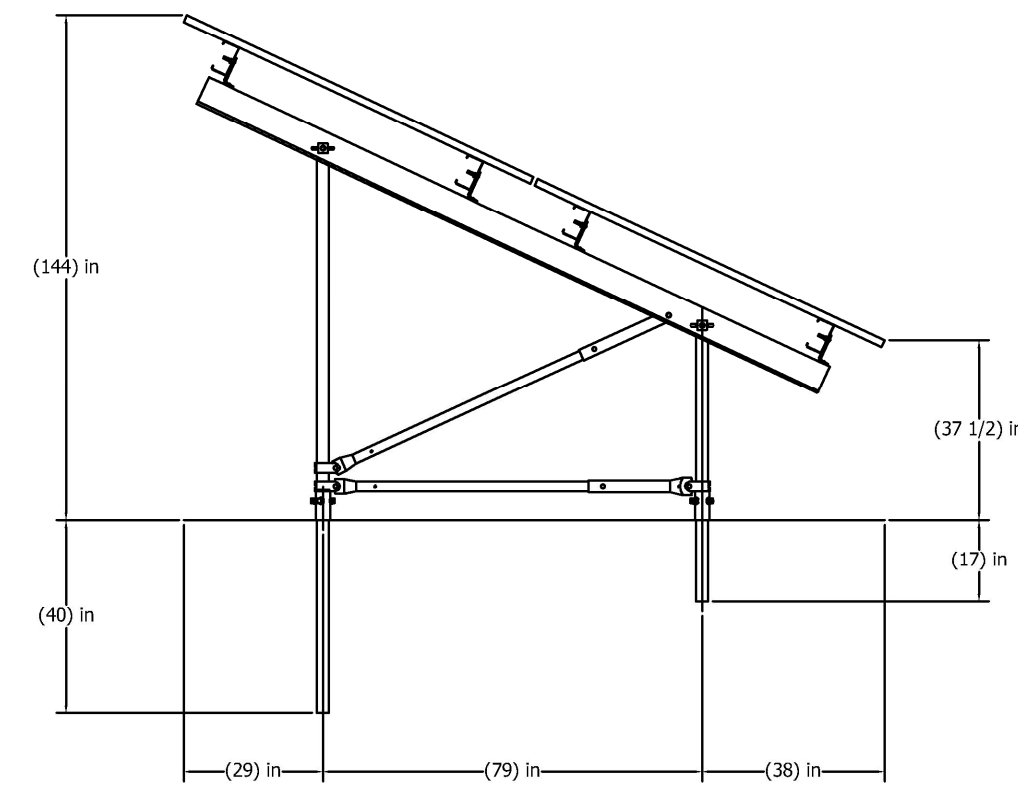
Project Manager:	ECR	Reviewed By:	ECR
Designed By:	WD	Drawn By:	WD
Date Issued:	OCTOBER 27, 2020	Scale:	AS NOTED
Project Number:	14847.00		

**CONSTRUCTION
DETAILS**

CALL BEFORE YOU DIG !
NEW YORK LAW REQUIRES
NOTICE AT LEAST 2 FULL WORKING DAYS,
BUT NOT MORE THAN 10 FULL WORKING DAYS,
BEFORE EXCAVATION IS SCHEDULED TO BEGIN.
Dig|Safely. New York
 1-800-962-7962

Drawing Number:

C013



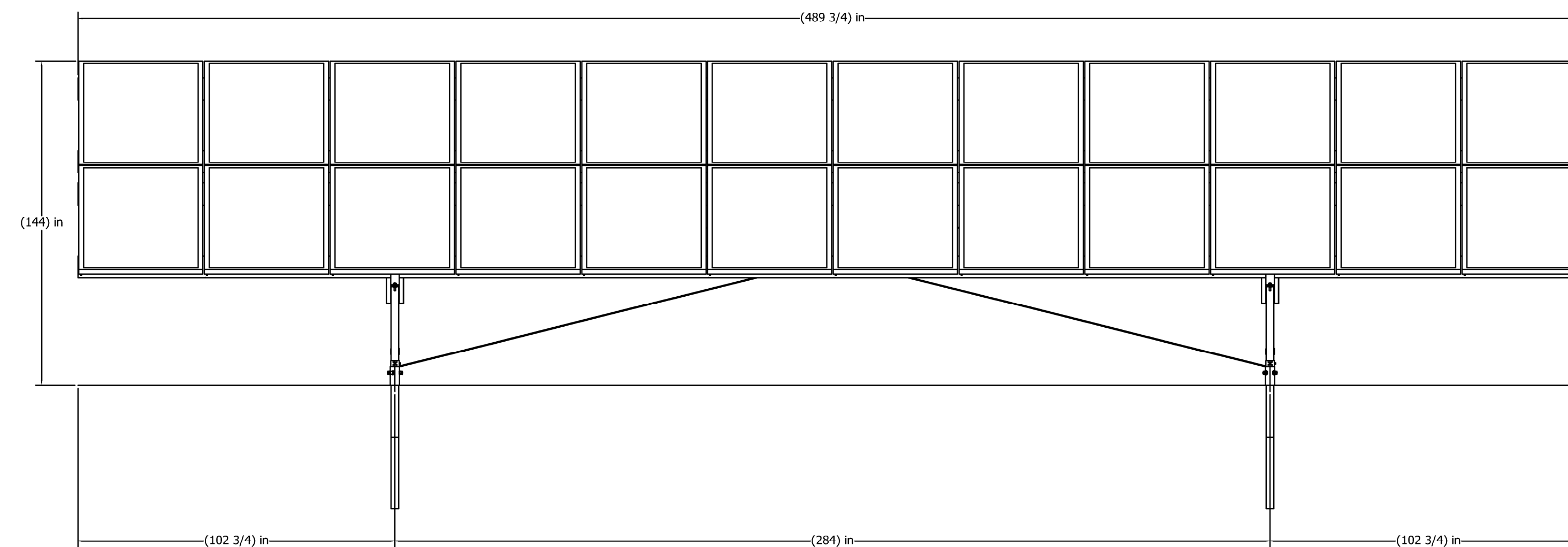
SIDE ELEVATION VIEW



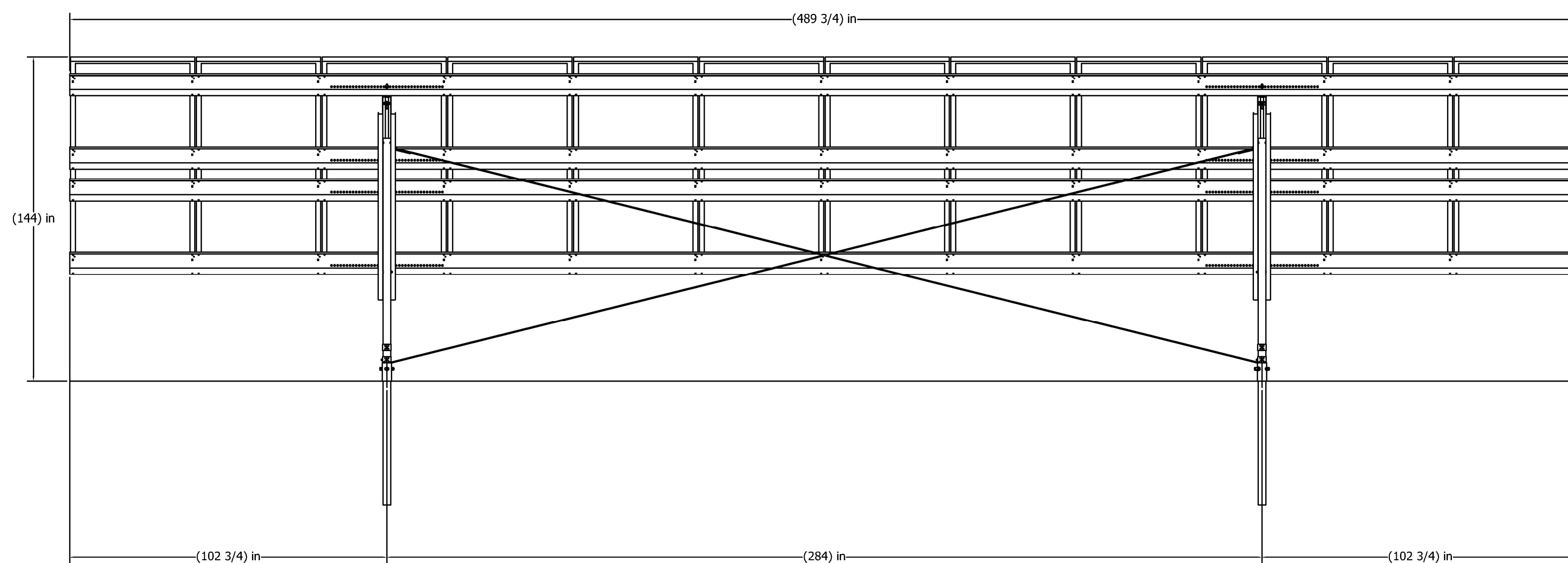
Portrait up to 3 high x 12 wide



Landscape up to 4 high x 6 wide
Bifacial compatible



FRONT ELEVATION VIEW



REAR ELEVATION VIEW

- NOTES:
1. TYPICAL INSTALLATION DIMENSIONS MAY BE ADJUSTED TO SUIT FIELD CONDITIONS.
 2. FINAL DESIGN AND ENGINEERING PLANS TO BE PROVIDED BY THE RACKING MANUFACTURER.

SOLAR PANEL DETAIL
NO SCALE