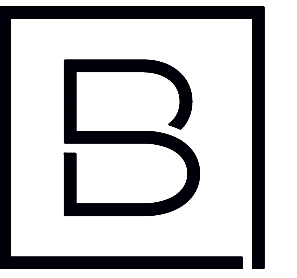


PRELIMINARY DEVELOPMENT PLANS FOR
PROPOSED

OLD HILL FARM SOLAR FARM

SOLAR DEVELOPMENT 571 EAST MAIN STREET JEFFERSON VALLEY, NEW YORK



BERGMANN
ARCHITECTS ENGINEERS PLANNERS

2 Winners Circle, Suite 102
Albany, NY 12205
www.bergmannpc.com
office: 518.862.0325

HILLSIDE SOLAR LLC

227 GUARD HILL ROAD
BEDFORD CORNERS, NY 10549

**OLD HILL FARM
SOLAR FARM**

571 EAST MAIN STREET
JEFFERSON VALLEY, NY 10535

Date Revised	Description
10/13/2021	REVISED PER CLIENT COMMENTS
12/01/2021	REVISED PER TREE COMMISSION COMMENTS
12/28/2021	REVISED PER FIRE DEPARTMENT COMMENTS
1/07/2022	REVISED PER SITE VISIT WITH FIRE DEPARTMENT
1/13/2022	REVISED PER ENGINEERING DEPARTMENT COMMENTS
1/20/2022	REVISED PER TCAC COMMENTS

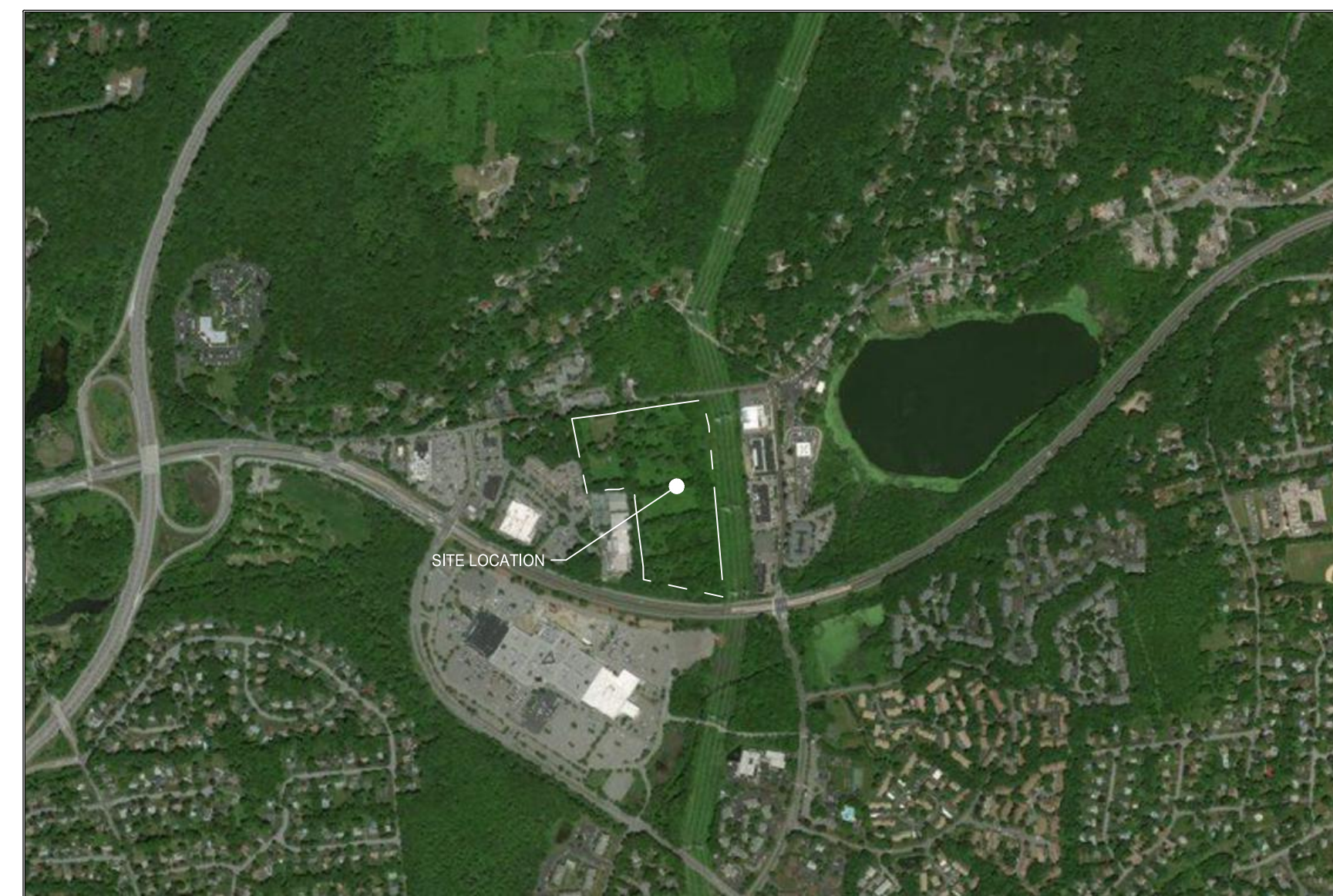
PROJECT CONTACTS

CIVIL ENGINEER
BERGMANN
2 WINNERS CIRCLE, SUITE 102
ALBANY, NY 12205
CONTACT: ERIC REDDING, PE
PHONE: 518.556.3631

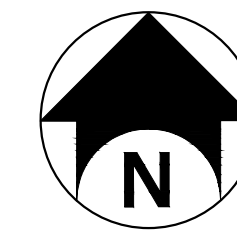
OWNER
OLD HILL FARM LLC
227 GUARD HILL ROAD
BEDFORD CORNERS, NY 10549

APPLICANT
HILLSIDE SOLAR LLC
227 GUARD HILL ROAD
BEDFORD CORNERS, NY 10549
CONTACT: KATHRYN HOENIG
PHONE: 914.953.5312

ELECTRICAL ENGINEER
TBD



SITE LOCATION MAP
1"=1000'



DRAWING INDEX		
DRAWING NO.	DRAWING TITLE	SHEET NO.
C000	COVER	1
C001	GENERAL NOTES	2
C002	AREA PARCEL PLAN	3
C003	EXISTING CONDITIONS PLAN	4
C004	OVERALL SITE PLAN	5
C005	SITE PLAN	6
C006	GRADING & EROSION & SEDIMENT CONTROL PLAN	7
C007	GRADING PLAN DETAILS	8
C008	LANDSCAPING & TREE MITIGATION PLAN	9
C009	PHASING PLAN	10
C010	DETAILS I	11
C011	DETAILS II	12
C012	DETAILS III	13

PRELIMINARY
NOT FOR CONSTRUCTION

Copyright © Bergmann Associates, Architects, Engineers, Landscape Architects & Surveyors, D.P.C

Project Manager	Discipline Lead
ECR	ECR
Designer	Reviewer
AG	WD
Date Issued	Project Number
07/28/2021	14064.11

Sheet Name

COVER

Drawing Number

C000

SEQUENCE OF CONSTRUCTION:

- PRE-CONSTRUCTION MEETING HELD TO INCLUDE PROJECT MANAGER, OPERATOR'S ENGINEER, CONTRACTOR, AND SUB-CONTRACTORS PRIOR TO LAND DISTURBING ACTIVITIES.
- CONSTRUCT CONSTRUCTION ENTRANCE/EXIT AT LOCATIONS DESIGNATED ON PLANS.
- INSTALL PERIMETER SILT FENCE.
- HAVE A QUALIFIED PROFESSIONAL CONDUCT AN ASSESSMENT OF THE SITE PRIOR TO THE COMMENCEMENT OF CONSTRUCTION.
- BEGIN CLEARING AND GRUBBING OPERATIONS. CLEARING AND GRUBBING SHALL BE DONE ONLY IN AREAS WHERE EARTHWORK WILL BE PERFORMED AND ONLY IN AREAS WHERE CONSTRUCTION IS PLANNED TO COMMENCE WITHIN 14 DAYS AFTER CLEARING AND GRUBBING.
- CONSTRUCT GRAVEL ROAD TO BE USED DURING CONSTRUCTION
- STRIP TOPSOIL AND STOCKPILE IN A LOCATION ACCEPTABLE TO CONSTRUCTION MANAGER. WHEN STOCKPILE IS COMPLETE, INSTALL PERIMETER SILT FENCE, SEED SURFACE WITH 100% PERENNIAL RYEGRASS MIXTURE AT A RATE OF 2-4 LBS. PER 1000 SF. APPLY 90-100 LBS PER 1000 SF OF MULCH.
- COMMENCE EARTHWORK CUT AND FILLS. THE WORK SHALL BE PROGRESSED TO ALLOW A REASONABLE TRANSFER OF CUT AND FILL EARTH FOR ROUGH GRADING AND EARTH MOVING. THE CONTRACTOR WILL BE GIVEN SOME LATITUDE TO VARY FROM THE FOLLOWING SCHEDULE IN ORDER TO MEET THE FIELD CONDITIONS ENCOUNTERED. CONTRACTOR SHALL REVIEW VARIATIONS TO SWPPP WITH DESIGN ENGINEER AND QUALIFIED PROFESSIONAL PRIOR TO IMPLEMENTATION.
- CONSTRUCT SOLAR ARRAY AREA IN THREE PHASES AS DETAILED IN SHEET C009 OF THIS PLAN SET. CONTRACTOR SHALL CONSTRUCT EACH PHASE INDIVIDUALLY AND SHALL NOT PROCEED TO THE FOLLOWING PHASE UNTIL THE SOLAR RACKING HAS BEEN INSTALLED AND THE PHASE AREA HAS BEEN TEMPORARILY STABILIZED WITH SEED AND MULCH.
- REMOVE GRAVEL DRIVEWAY USED DURING CONSTRUCTION AND CONSTRUCT THE PROPOSED PERVIOUS GRAVEL DRIVEWAY AFTER CONSTRUCTION ACTIVITIES SUCH AS THE INSTALLATION OF THE PANELS AND PERIMETER FENCE. THE SUB-GRADE MATERIAL WHERE THE DRIVEWAY IS TO BE INSTALLED SHALL BE DECOMPACTED PER NYSDEC'S "DEEP-RIPPING AND DECOMPACTION" MANUAL, DATED APRIL 2008. CONTRACTOR SHALL AVOID FREQUENT HEAVY TRAFFIC ON THE LIMITED USE PERVIOUS GRAVEL.
- AS ROADWAY AND ACCESS DRIVES ARE BROUGHT TO GRADE, THEY WILL BE STABILIZED WITH CRUSHED STONE SUBBASE AT A DEPTH SPECIFIED ON PLANS TO PREVENT EROSION AS SOON AS PRACTICABLE.
- STABILIZE ALL AREAS AS SOON AS PRACTICABLE, IDLE IN EXCESS OF 7 DAYS AND IN WHICH CONSTRUCTION WILL NOT RECOMMENCE WITHIN 14 DAYS.
- INSTALL UTILITIES. TRENCH EXCAVATION/BACKFILL AREAS SHOULD BE STABILIZED PROGRESSIVELY AT THE END OF EACH WORKDAY WITH SEED AND STRAW MULCH AT A RATE OF 100% PERENNIAL RYE GRASS AT 2-4 LBS/1000 SF MULCHED AT 90-100 LBS/1000 SF.
- STABILIZE ALL AREAS IDLE IN EXCESS OF 7 DAYS IN WHICH CONSTRUCTION WILL NOT RECOMMENCE WITHIN 14 DAYS.
- REMOVE TEMPORARY CONSTRUCTION EXITS AND PERIMETER SILT FENCE ONCE SITE HAS ACHIEVED 80% UNIFORM STABILIZATION.

GENERAL NOTES:

- THE UNDERGROUND STRUCTURES AND UTILITIES SHOWN ON THIS MAP HAVE BEEN PLOTTED FROM AVAILABLE SURVEYS AND RECORD MAPS, THEY ARE NOT CERTIFIED TO THE ACCURACY OF THEIR LOCATION AND/OR COMPLETENESS. IT IS THE CONTRACTOR'S RESPONSIBILITY TO VERIFY THE LOCATION AND EXTENT OF ALL UNDERGROUND STRUCTURES AND UTILITIES PRIOR TO ANY DIGGING OR CONSTRUCTION ACTIVITIES IN THEIR VICINITY. THE CONTRACTOR SHALL HAVE ALL EXISTING UTILITIES FIELD STAKED BEFORE STARTING WORK BY CALLING 1-800-962-7962.
- THE CONTRACTOR SHALL PERFORM ALL WORK IN COMPLIANCE WITH TITLE 29 OF FEDERAL REGULATIONS, PART 1926, SAFETY AND HEALTH REGULATIONS FOR CONSTRUCTION (OSHA).
- HIGHWAY DRAINAGE ALONG ALL ROADS AND PRIVATE DRIVES SHALL BE KEPT CLEAN OF MUD, DEBRIS ETC. AT ALL TIMES.
- THE CONTRACTOR SHALL CONSULT THE DESIGN ENGINEER BEFORE DEVIATING FROM THESE PLANS.
- IN ALL TRENCH EXCAVATIONS, CONTRACTOR MUST LAY THE TRENCH SIDE SLOPES BACK TO A SAFE SLOPE, USE A TRENCH SHIELD OR PROVIDE SHEETING AND BRACING.
- IF SUSPICIOUS AND/OR HAZARDOUS MATERIAL IS ENCOUNTERED DURING DEMOLITION/CONSTRUCTION, ALL WORK SHALL STOP AND THE WESTCHESTER COUNTY DEPARTMENT OF HEALTH AND THE NEW YORK STATE DEPARTMENT OF ENVIRONMENTAL CONSERVATION SHALL BE NOTIFIED IMMEDIATELY. WORK SHALL NOT RESUME UNTIL THE DEVELOPER HAS OUTLINED APPROPRIATE ACTION FOR DEALING WITH THE WASTE MATERIAL AND THE DEVELOPMENT PLANS ARE MODIFIED AS MAY BE NECESSARY.
- EXCAVATED WASTE MATERIAL REMOVED FROM THE SITE SHALL BE PLACED AT A LOCATION ACCEPTABLE TO THE NEW YORK STATE DEPARTMENT OF ENVIRONMENTAL CONSERVATION.
- AREAS DISTURBED OR DAMAGED AS PART OF THIS PROJECTS CONSTRUCTION THAT ARE OUTSIDE OF THE PRIMARY WORK AREA SHALL BE RESTORED, AT THE CONTRACTORS EXPENSE, TO THE SATISFACTION OF THE OWNER'S REPRESENTATIVE.
- UNLESS COVERED BY THE CONTRACT SPECIFICATIONS OR AS NOTED ON THE PLANS, ALL WORK SHALL CONFORM TO THE NEW YORK STATE DEPARTMENT OF TRANSPORTATION STANDARD SPECIFICATIONS DATED JANUARY 1, 2020 AND ANY SUBSEQUENT APPENDICES.

WASTE/HAZARDOUS MATERIAL PRACTICES:

- WHENEVER POSSIBLE COVERED TRASH CONTAINERS SHOULD BE USED.
- DAILY SITE CLEANUP IS REQUIRED TO REDUCE DEBRIS AND POLLUTANTS IN THE ENVIRONMENT.
- CONTRACTOR SHALL PROVIDE A SAFE STORAGE SPACE FOR ALL PAINTS, STAINS AND SOLVENTS INSIDE A COVERED STORAGE AREA.
- ALL FUELS, OILS, AND GREASE MUST BE KEPT IN CONTAINERS AT ALL TIMES.

EROSION & SEDIMENT CONTROL NOTES:

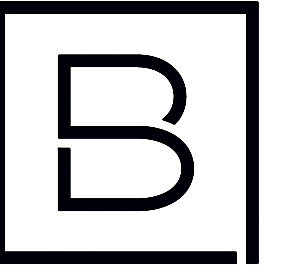
- INSTALL EROSION CONTROL MEASURES AS INDICATED ON THE PLAN PRIOR TO THE START OF ANY EXCAVATION WORK. EROSION CONTROL MEASURES WILL BE IMPLEMENTED IN ACCORDANCE WITH THE NEW YORK STATE GUIDELINES FOR URBAN EROSION SEDIMENT CONTROL MANUAL, NEW YORK STATE DEPARTMENT OF ENVIRONMENTAL CONSERVATION, AND THE GOVERNING MUNICIPAL REQUIREMENTS.
- REMOVE AND STOCKPILE TOPSOIL AS DIRECTED BY THE CONSTRUCTION MANAGER REPLACE TOPSOIL TO A MINIMUM 4" DEPTH WITH TOPSOIL OR AMENDED SOIL. ALL DISTURBED AREAS TO BE SEEDED TO PROMOTE VEGETATION AS SOON AS PRACTICABLE.
- IF THE SEASONS PROHIBITS TEMPORARY SEEDING, THE DISTURBED AREAS WILL BE MULCHED WITH STRAW HAY OR EQUIVALENT AND ANCHORED IN ACCORDANCE WITH THE "STANDARDS", NETTING OR LIQUID MULCH BINDER.
- CONTRACTOR SHALL BE RESPONSIBLE FOR THE MAINTENANCE AND REMOVAL OF TEMPORARY SEDIMENTATION CONTROLS. EROSION CONTROL MEASURES SHALL NOT BE REMOVED BEFORE 80% UNIFORM VEGETATIVE COVER HAS BEEN ACHIEVED.
- ALL EROSION CONTROL MEASURES ARE TO BE REPLACED WHENEVER THEY BECOME CLOGGED OR INOPERABLE AND SHALL BE REPLACED AT A MINIMUM OF EVERY 3 MONTHS.
- THE CONTRACTOR SHALL BE RESPONSIBLE FOR RESTORATION OF TOPSOIL OR AMENDED TO ALL DISTURBED AREAS. IT IS THE CONTRACTOR'S RESPONSIBILITY TO MAINTAIN EROSION CONTROL MEASURES AT ALL TIMES.
- THE CONTRACTOR SHALL DESIGNATE A MEMBER OF HIS/HER FIRM TO BE RESPONSIBLE TO MONITOR EROSION CONTROL, EROSION CONTROL STRUCTURES, TREE PROTECTION AND PRESERVATION THROUGHOUT CONSTRUCTION.
- ALL DISTURBED AREAS SHALL BE FINISH GRADED TO PROMOTE VEGETATION ON ALL EXPOSED AREAS AS SOON AS PRACTICABLE. STABILIZATION PRACTICES (TEMPORARY/PERMANENT SEEDING, MULCHING, GEOTEXTILES, ETC.) MUST BE IMPLEMENTED WITHIN SEVEN (7) DAYS WHERE CONSTRUCTION ACTIVITIES HAVE TEMPORARILY OR PERMANENTLY CEASED, AND NOT EXPECTED TO RESUME WITHIN FOURTEEN (14) DAYS.
- PAVED ROADWAYS MUST BE KEPT CLEAN AT ALL TIMES. ALL CONSTRUCTION DEBRIS AND SEDIMENT SPOILS, DROPPED, WASHED OR TRACKED ONTO PUBLIC RIGHT-OF-WAYS MUST BE REMOVED IMMEDIATELY.
- DUST SHALL BE CONTROLLED BY WATERING.
- ADJOINING PROPERTY SHALL BE PROTECTED FROM EXCAVATION AND FILLING OPERATIONS ON THE PROPOSED SITE.
- SLOPE TRACKING SHALL BE IMPLEMENTED ON ALL SLOPE 1 ON 3 OR GREATER AT THE END OF EACH WORK DAY AND PRIOR TO FINAL SLOPE GRADING AND STABILIZATION.

STORM WATER POLLUTION PREVENTION PLAN NOTES:

- THE CONTRACTOR SHALL PROVIDE A QUALIFIED INSPECTOR TO INSPECT THE PROJECT AT THE END OF EACH WORK WEEK AND PROVIDE A REPORT AT LEAST ONCE PER WEEK.
- EROSION CONTROL MEASURES WILL BE IMPLEMENTED IN ACCORDANCE WITH THE NEW YORK STATE GUIDELINES FOR URBAN EROSION SEDIMENT CONTROL MANUAL, WESTCHESTER COUNTY DEPARTMENT OF HEALTH, AND THE TOWN OF YORKTOWN REQUIREMENTS.
- THE CONTRACTOR SHALL BE RESPONSIBLE FOR MAINTAINING THE BEST MANAGEMENT PRACTICES (BMP'S) UNTIL GROUND COVER IS ESTABLISHED.
- REMOVE AND STOCKPILE TOPSOIL AS DIRECTED BY THE CONSTRUCTION MANAGER. REPLACE TOPSOIL TO A MINIMUM 4" DEPTH. ALL DISTURBED AREAS TO BE HYDROSEED AS DIRECTED BY THE CONSTRUCTION MANAGER TO PROMOTE VEGETATION AS SOON AS PRACTICABLE.
- IF THE SEASONS PROHIBITS TEMPORARY SEEDING, THE DISTURBED AREAS WILL BE MULCHED WITH STRAW HAY OR EQUIVALENT AND ANCHORED IN ACCORDANCE WITH THE "STANDARDS", NETTING OR LIQUID MULCH BINDER.
- CONTRACTOR SHALL BE RESPONSIBLE FOR THE MAINTENANCE AND REMOVAL OF TEMPORARY SEDIMENTATION CONTROLS. EROSION CONTROL MEASURES SHALL NOT BE REMOVED BEFORE 80% UNIFORM VEGETATION HAS BEEN ACHIEVED.
- ALL EROSION CONTROL MEASURES ARE TO BE REPLACED WHENEVER THEY BECOME CLOGGED OR INOPERABLE AND SHALL BE REPLACED WHEN THEY HAVE REACHED THE DESIGN LIFE INDICATED IN THE NYS GUIDELINES FOR URBAN EROSION SEDIMENT CONTROL DESIGN MANUAL OR EVERY THREE MONTHS.
- THE CONTRACTOR SHALL BE RESPONSIBLE FOR RESTORATION OF TOPSOIL TO ALL DISTURBED AREAS. IT IS THE CONTRACTOR'S RESPONSIBILITY TO MAINTAIN EROSION CONTROL MEASURES AT ALL TIMES.
- THE CONTRACTOR SHALL DESIGNATE A MEMBER OF HIS/HER FIRM TO BE RESPONSIBLE TO MONITOR EROSION CONTROL AND EROSION CONTROL STRUCTURES THROUGHOUT CONSTRUCTION.
- ALL DISTURBED AREAS SHALL BE FINISH GRADED TO PROMOTE VEGETATION ON ALL EXPOSED AREAS AS SOON AS PRACTICABLE. STABILIZATION PRACTICES (TEMPORARY/PERMANENT SEEDING, MULCHING, GEOTEXTILES, ETC.) MUST BE IMPLEMENTED WITHIN SEVEN (7) DAYS WHERE CONSTRUCTION ACTIVITIES HAVE TEMPORARILY OR PERMANENTLY CEASED, AND NOT EXPECTED TO RESUME WITHIN FOURTEEN (14) DAYS.
- PAVED ROADWAYS MUST BE KEPT CLEAN AT ALL TIMES. ALL CONSTRUCTION DEBRIS AND SEDIMENT SPOILS, DROPPED, WASHED OR TRACKED ONTO PUBLIC RIGHT-OF-WAYS MUST BE REMOVED IMMEDIATELY.
- DUST SHALL BE CONTROLLED BY WATERING.
- ADJOINING PROPERTIES SHALL BE PROTECTED FROM EXCAVATION AND FILLING OPERATIONS ON THE PROPOSED SITE.
- EROSION CONTROL MEASURES SHOULD BE RELOCATED INWARD AS PERIMETER SLOPE CONSTRUCTION PROGRESSES AND RECONSTRUCTED TO THE NYS STANDARDS & SPECIFICATION AT THE END OF EACH DAY.
- PERIMETER AREAS SHALL BE TEMPORARILY STABILIZED WITH SEED AND MULCH PROGRESSIVELY AT MINIMUM AT THE END OF EACH WEEK WITH 100% PERENNIAL RYEGRASS MIX AT A RATE OF 2-4 LBS PER 1000 SF AND MULCH 90-100 LBS PER 1000 SF OF WEED FREE STRAW.
- SLOPE TRACKING SHALL BE IMPLEMENTED ON ALL SLOPE 1 ON 3 OR GREATER AT THE END OF EACH WORK DAY AND PRIOR TO FINAL SLOPE GRADING AND STABILIZATION.

SITE STABILIZATION:

- WHEN FINAL GRADE IS ACHIEVED DURING NON-GERMINATING MONTHS, THE AREA SHOULD BE MULCHED UNTIL THE BEGINNING OF THE NEXT PLANTING SEASON.
- MULCHES SHOULD BE APPLIED AT THE RATES SHOWN IN THE MULCH APPLICATION RATES TABLE. VERY LITTLE BARE GROUND SHOULD BE VISIBLE THROUGH THE MULCH.
- STRAW AND HAY MULCH SHOULD BE ANCHORED OR TACKIFIED IMMEDIATELY AFTER APPLICATION TO PREVENT BEING WIND BLOWN. A TRACTOR-DRAWN IMPLEMENTS MAY BE USED TO "CRIMP" THE STRAW OR HAY INTO THE SOIL - ABOUT 3 INCHES. THIS METHOD SHOULD BE LIMITED TO SLOPES NO STEEPER THAN 3H:1V. THE MACHINERY SHOULD BE OPERATED ALONG THE CONTOUR. NOTE: CRIMPING OF HAY OR STRAW BY RUNNING OVER IT WITH TRACKED MACHINERY IS NOT RECOMMENDED.
- BEFORE SEEDING IS APPLIED THE CONTRACTOR SHALL SPREAD SOIL TO PREVENT PONDING AND CONFIRM THAT SOIL WILL SUSTAIN THE SEED GERMINATION AND ESTABLISHMENT OF VEGETATION.
- GRADED AREAS SHOULD BE SCARIFIED OR OTHERWISE LOOSENEED TO A DEPTH OF 3 TO 5 INCHES TO PERMIT BONDING OF THE TOPSOIL TO THE SURFACE AREAS AND TO PROVIDE A ROUGHENED SURFACE TO PREVENT TOPSOIL FROM SLIDING DOWN SLOPE. COMPACTED SOILS SHOULD BE SCARIFIED TO A DEPTH OF 6 TO 12 INCHES, ALONG CONTOUR WHEREVER POSSIBLE, PRIOR TO SEEDING.
- TOPSOIL OR AMENDED SOIL SHOULD BE UNIFORMLY DISTRIBUTED ACROSS THE DISTURBED AREA TO A MINIMUM DEPTH OF 6 INCHES. SPREADING SHOULD BE DONE IN SUCH A MANNER THAT SODDING OR SEEDING CAN PROCEED WITH A MINIMUM OF ADDITIONAL PREPARATION OR TILLAGE. IRREGULARITIES IN THE SURFACE RESULTING FROM TOPSOIL PLACEMENT SHOULD BE CORRECTED IN ORDER TO PREVENT FORMATION OF DEPRESSIONS.
- TOPSOIL SHOULD NOT BE PLACED WHILE THE TOPSOIL OR SUBSOIL IS IN A FROZEN OR MUDDY CONDITION. WHEN THE SUBSOIL IS EXCESSIVELY WET, OR IN A CONDITION THAT MAY OTHERWISE BE DETRIMENTAL TO PROPER GRADING AND SEEDBED PREPARATION.
- WHEN USED AS A MULCH REPLACEMENT, THE APPLICATION RATE (THICKNESS) OF THE COMPOST SHOULD BE $\frac{1}{2}$ " TO $\frac{1}{4}$ ". COMPOST SHOULD BE PLACED EVENLY AND SHOULD PROVIDE 100% SOIL COVERAGE. NO SOIL SHOULD BE VISIBLE.
- POLYMERIC AND GUM TACKIFIERS MIXED AND APPLIED ACCORDING TO MANUFACTURER'S RECOMMENDATIONS MAY BE USED TO TACK MULCH. AVOID APPLICATION DURING RAIN AND ON WINDY DAYS. A 24-HOUR CURING PERIOD AND A SOIL TEMPERATURE HIGHER THAN 45° F ARE TYPICALLY REQUIRED. APPLICATION SHOULD GENERALLY BE HEAVIEST AT EDGES OF SEEDED AREAS AND AT CRESTS OF RIDGES AND BANKS TO PREVENT LOSS BY WIND. THE REMAINDER OF THE AREA SHOULD HAVE BINDER APPLIED UNIFORMLY. BINDERS MAY BE APPLIED AFTER MULCH IS SPREAD OR SPRAYED INTO THE MULCH AS IT IS BEING BLOWN ONTO THE SOIL. APPLYING STRAW AND BINDER TOGETHER IS GENERALLY MORE EFFECTIVE.
- SYNTHETIC BINDERS, OR CHEMICAL BINDERS, MAY BE USED AS RECOMMENDED BY THE MANUFACTURER TO ANCHOR MULCH PROVIDED SUFFICIENT DOCUMENTATION IS PROVIDED TO SHOW THEY ARE NON-TOXIC TO NATIVE PLANT AND ANIMAL SPECIES.
- MULCH ON SLOPES OF 8% OR STEEPER SHOULD BE HELD IN PLACE WITH NETTING. LIGHTWEIGHT PLASTIC, FIBER, OR PAPER NETS MAY BE STAPLED OVER THE MULCH ACCORDING TO MANUFACTURER'S RECOMMENDATIONS.
- SHREDDED PAPER HYDROMULCH SHOULD NOT BE USED ON SLOPES STEEPER THAN 5%. WOOD FIBER HYDROMULCH MAY BE APPLIED ON STEEPER SLOPES PROVIDED A TACKIFIER IS USED. THE APPLICATION RATE FOR ANY HYDROMULCH SHOULD BE 2,000 LB/ACRE AT A MINIMUM.
- LIME, FERTILIZER, SEED, AND MULCH DISTURBED AREAS PER THE EROSION AND SEDIMENT CONTROL PLANS. IN AREAS OF STEEP SLOPES OR OBVIOUS AREAS WHERE POTENTIAL EROSION MAY OCCUR, AN EROSION CONTROL MAT OR FLEXIBLE GROWTH MEDIUM (FGM) SHALL BE USED. FGM SHALL BE APPLIED PER MANUFACTURER SPECIFICATIONS.
- ONCE A SECTION OF THE ALIGNMENT HAS BEEN STABILIZED, NO CONSTRUCTION TRAFFIC SHALL OCCUR TO REMOVE ANY BMP'S UNTIL THE SECTION HAS ACHIEVED 80% PERENNIAL VEGETATIVE COVER. AN AREA SHALL BE CONSIDERED TO HAVE ACHIEVED FINAL STABILIZATION WHEN IT HAS A MINIMUM 80% PERENNIAL VEGETATIVE COVER OR OTHER PERMANENT NONVEGETATIVE COVER WITH A DENSITY SUFFICIENT TO RESIST ACCELERATED EROSION AND SUBSURFACE CHARACTERISTICS SUFFICIENT TO RESIST SLIDING OR OTHER MOVEMENTS.



BERGMANN
ARCHITECTS ENGINEERS PLANNERS

2 Winners Circle, Suite 102
Albany, NY 12205

www.bergmannpc.com

office: 518.862.0325

HILLSIDE SOLAR LLC

227 GUARD HILL ROAD
BEDFORD CORNERS, NY 10549

OLD HILL FARM SOLAR FARM

571 EAST MAIN STREET
JEFFERSON VALLEY, NY 10535

Date Revised	Description
10/13/2021	REVISED PER CLIENT COMMENTS
12/01/2021	REVISED PER TREE COMMISSION COMMENTS
12/28/2021	REVISED PER FIRE DEPARTMENT COMMENTS
1/07/2022	REVISED PER SITE VISIT WITH FIRE DEPARTMENT
1/13/2022	REVISED PER ENGINEERING DEPARTMENT COMMENTS
1/20/2022	REVISED PER TCAC COMMENTS

PRELIMINARY
NOT FOR CONSTRUCTION

Copyright © Bergmann Associates, Architects, Engineers,
Landscape Architects & Surveyors, D.P.C.

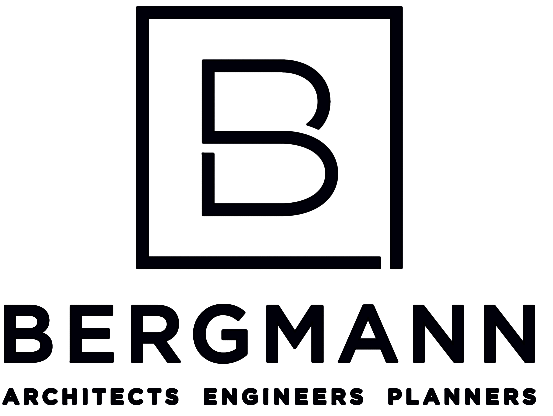
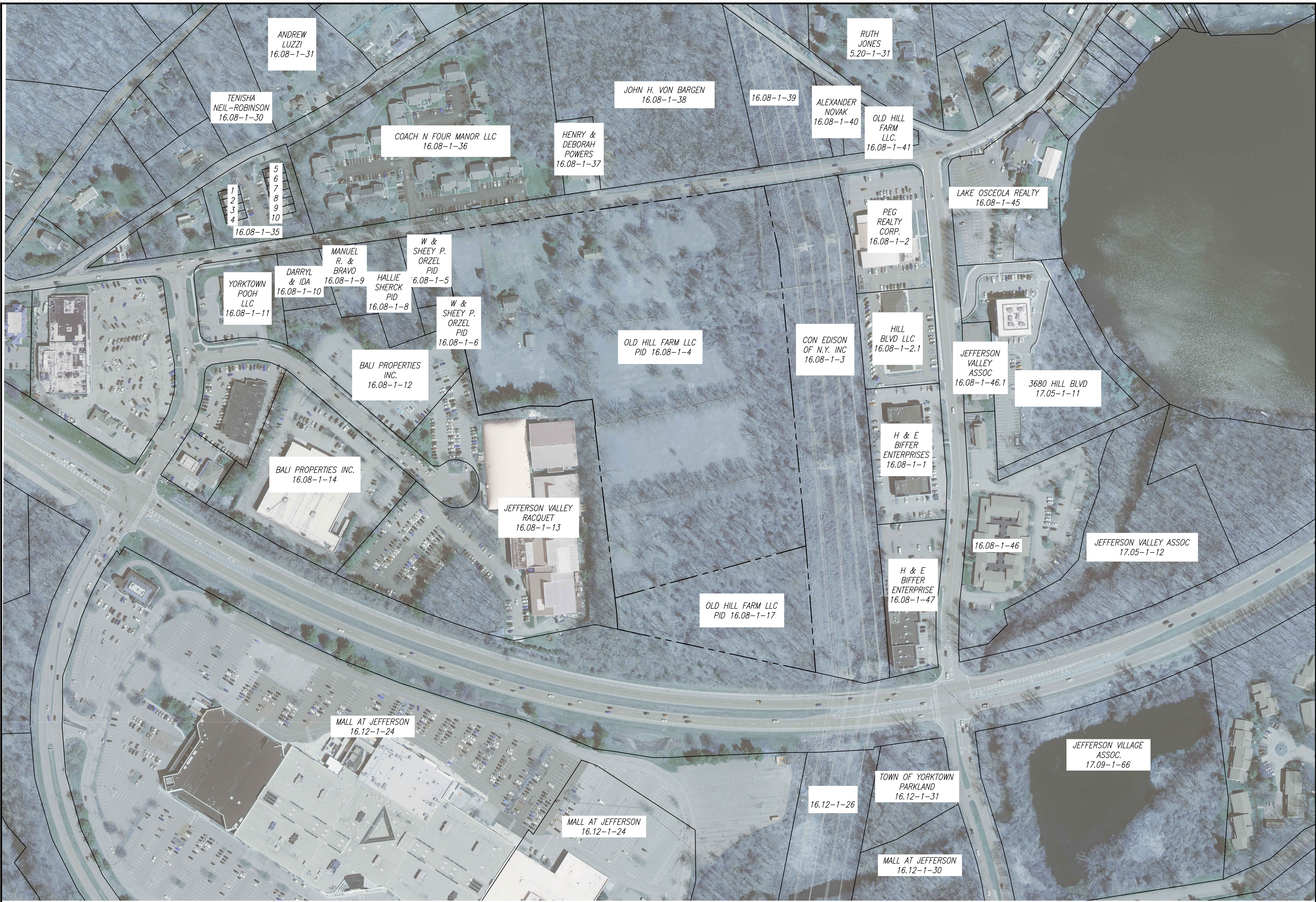
Project Manager	Discipline Lead
ECR	ECR
Designer	Reviewer
AG	ECR
Date Issued	Project Number
07/28/2021	14064.11

Sheet Name

GENERAL NOTES

Drawing Number

C001



2 Winners Circle, Suite 102
Albany, NY 12205
www.bergmannpc.com
office: 518.862.0325

HILLSIDE SOLAR LLC

227 GUARD HILL ROAD
BEDFORD CORNERS, NY 10549

OLD HILL FARM SOLAR FARM

571 EAST MAIN STREET
JEFFERSON VALLEY, NY 10535

Date Revised	Description
10/13/2021	REVISED PER CLIENT COMMENTS
12/01/2021	REVISED PER TREE COMMISSION COMMENTS
12/28/2021	REVISED PER FIRE DEPARTMENT COMMENTS
1/07/2022	REVISED PER SITE VISIT WITH FIRE DEPARTMENT
1/13/2022	REVISED PER ENGINEERING DEPARTMENT COMMENTS
1/20/2022	REVISED PER TCAC COMMENTS

**PRELIMINARY
NOT FOR CONSTRUCTION**

Copyright © Bergmann Associates, Architects, Engineers, Landscape Architects & Surveyors, D.P.C.

Project Manager	Discipline Lead
ECR	ECR
Designer	Reviewer
AG	ECR
Date Issued	Project Number
07/28/2021	14064.11

Sheet Name

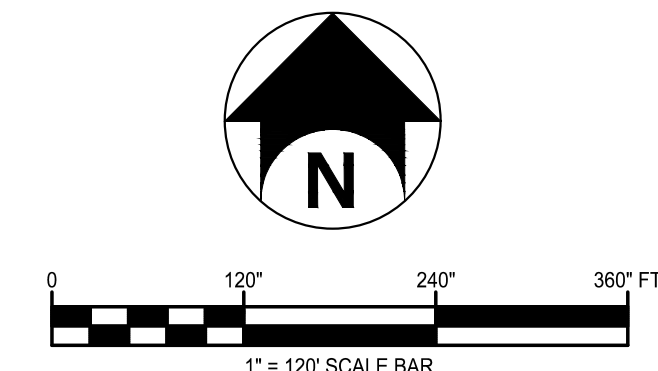
AREA PARCEL PLAN

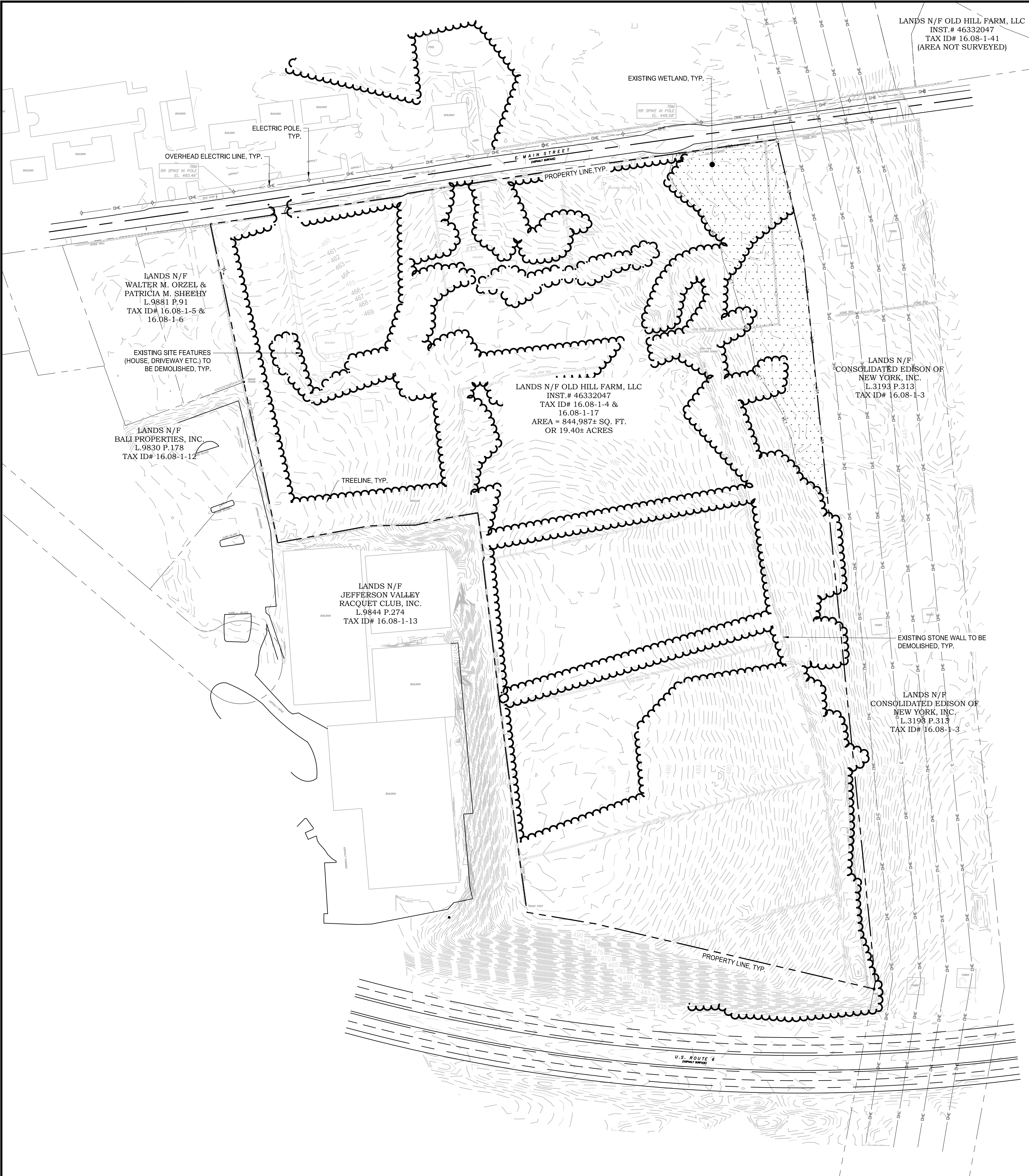
Drawing Number

C002

NUMBER	TAX ID	PARCEL OWNER
1	16.08-1-51	DANIELLE DISALVO
2	16.08-1-50	TERRENCE & MURPHY
3	16.08-1-49	LINDA EINFRAK
4	16.08-1-48	LOUISE MILLER
5	16.08-1-57	WILLIAM & OFRIAS

NUMBER	TAX ID	PARCEL OWNER
6	16.08-1-56	MICHAEL & LISA HUFFMAN
7	16.08-1-55	THOMAS & FURIA
8	16.08-1-54	ALFREDO & CASTRO ROMANO
9	16.08-1-53	MICHELE & MILAZZO
10	16.08-1-52	MICHAEL MANDINO





SCHEDULE B EXCEPTIONS:

- 5. COVENANTS, RESTRICTIONS, EASEMENTS AND AGREEMENTS FOUND OF RECORD:
- A. TERMS, CONDITIONS, EASEMENTS AND RESERVATIONS CONTAINED IN DEED MADE BY JAMES CURRY HILL, ET AL. TO WESTCHESTER LIGHTING COMPANY, DATED 9/19/1931 AND RECORDED 11/12/1931 IN LIBER 3193 CP. 313, AS MODIFIED BY: TRANSMISSION LINE AS SHOWN.
- (I) RELEASE MADE BETWEEN SMALL SHOPPING CENTERS VENTURE AND CONSOLIDATED COMPANY OF NEW YORK, INC., RECORDED 10/21/1972 IN LIBER 7084 CP. 402 (RELEASES EASEMENTS GRANTED IN LIBER 3193 CP.313); AND
- (II) RELEASE OF EASEMENT MADE BETWEEN CONSOLIDATED COMPANY OF NEW YORK, INC. AND SMALL SHOPPING CENTERS VENTURE, RECORDED 11/24/1972 IN LIBER 7094 CP. 647 (RELEASES EASEMENTS GRANTED IN LIBER 3193 CP.313). (SEE EXHIBIT A)
- B. UTILITY EASEMENT GRANT TO WESTCHESTER LIGHTING COMPANY AND NEW YORK TELEPHONE COMPANY, RECORDED 6/14/1940 IN LIBER 3837 CP. 48, (EXHIBIT B). DOES NOT AFFECT SUBJECT PROPERTY.
- C. GRANT OF PIPELINE EASEMENT TO ALGONQUIN GAS TRANSMISSION COMPANY, RECORDED 7/21/1952 IN LIBER 5118 CP. 386, (EXHIBIT C). DOES NOT AFFECT SUBJECT PROPERTY.
- D. UTILITY EASEMENT GRANT TO CONSOLIDATED COMPANY OF NEW YORK, INC., RECORDED 10/9/1967 IN LIBER 6737 CP. 754, (EXHIBIT D) BLANKET IN NATURE
- E. NEW YORK TELEPHONE COMPANY EASEMENT AGREEMENT, RECORDED 10/10/1967 IN LIBER 6738 CP. 134, (EXHIBIT E) DOES NOT AFFECT SUBJECT PROPERTY.

GENERAL NOTES:

- UNDERGROUND UTILITIES SHOWN HEREON BASED ON UTILITY EVIDENCE VISIBLE AT GROUND SURFACE AND RECORD DRAWINGS AND ARE SUBJECT TO FIELD VERIFICATION BY EXCAVATION. UTILITIES SHOWN DO NOT PURPORT TO CONSTITUTE OR REPRESENT ALL UTILITIES LOCATED UPON OR ADJACENT TO THE SURVEYED PREMISES.
- THE OFFSETS OR DIMENSIONS SHOWN HEREON, FROM THE PROPERTY LINES TO THE STRUCTURES, ARE FOR A SPECIFIC PURPOSE AND USE; THEREFORE, THEY ARE NOT INTENDED TO MONUMENT THE PROPERTY LINES OR TO GUIDE THE ERECTION OF FENCES, ADDITIONAL STRUCTURES OR ANY OTHER IMPROVEMENTS.
- EASEMENTS AND/OR SUBSURFACE STRUCTURES RECORDED OR UNRECORDED ARE NOT GUARANTEED UNLESS PHYSICALLY EVIDENT ON THE PREMISES AT THE TIME OF THE SURVEY.
- SUBJECT TO ALL RIGHTS, EASEMENTS, COVENANTS AND RESTRICTIONS OF RECORD.
- REFERENCE IS MADE TO STEWART TITLE INSURANCE COMPANY, TITLE NUMBER 837326 (S-NY-CP-BTA), EFFECTIVE DATE AUGUST 11, 2017.
- BASIS OF BEARING IS NEW YORK STATE PLANE COORDINATE SYSTEM EAST ZONE. CONTROL WAS ESTABLISHED USING NYSNET VRS SYSTEM. THE HORIZONTAL DATUM IS RELATIVE TO NAD83
- THE VERTICAL POSITION OF THE HEREIN SURVEY IS BASED ON THE NYSNET RTK GPS NETWORK AND IS SUBJECT TO FURTHER ADJUSTMENT TO ANY LOCAL NGS BENCHMARKS. THE VERTICAL DATUM IS RELATIVE TO NAVD 1988.

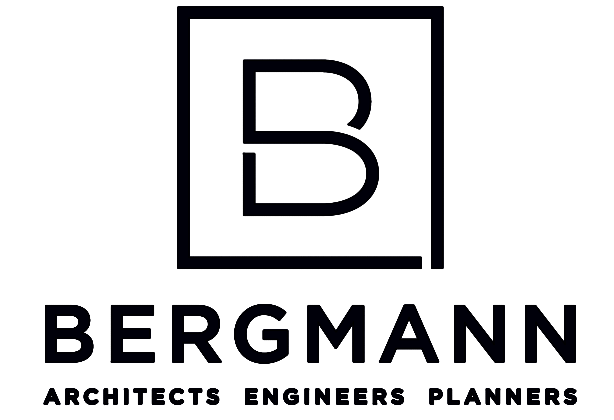
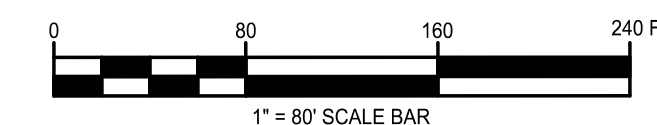
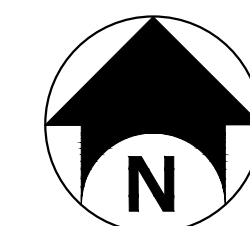
MAP REFERENCES:

- MAP ENTITLED "THE NEW YORK EDISON CO. JAMES CURRY HILL & THEODORE HILL JR. - PURCHASE, 132 KV RIGHT OF WAY BETWEEN PUTNAM-WESTCHESTER CO. LINE & MILLWOOD" DATED SEPT 3, 1931, N-664.
- MAP ENTITLED "SUBDIVISION MAP OF JEFFERSON VALLEY INDUSTRIAL PARK NO 1 FOR JEFFERSON VALLEY CORP.", BY J. HENRY CARPENTER & CO., DATED FEB. 3, 1964, AND FILED IN THE WESTCHESTER COUNTY CLERK'S OFFICE QN MAY 25, 1964 AS MAP NO. 13954.
- MAP ENTITLED "AMENDED SUBDIVISION MAP OF JEFFERSON VALLEY INDUSTRIAL PARK NO 1 FOR JEFFERSON VALLEY CORP.", BY J. HENRY CARPENTER & CO., DATED OCTOBER 2 1964, AND FILED IN THE WESTCHESTER COUNTY CLERK'S OFFICE ON FEB 1, 1965 AS MAP NO. 14225.
- MAP ENTITLED "SUBDIVISION MAP SHOWING RE-SUBDIVISION OF JEFFERSON VALLEY INDUSTRIAL PARK NO. 1" BY J. HENRY CARPENTER & CO., LAST REVISED MAY 24, 1990, AND FILED IN THE WESTCHESTER COUNTY CLERK'S OFFICE ON JUNE 11, 1990 AS MAP NO. 24181.

CERTIFICATIONS INDICATED HEREON SIGNIFY THAT THIS SURVEY WAS PREPARED IN ACCORDANCE WITH THE EXISTING CODE OF PRACTICE FOR LAND SURVEYORS ADOPTED BY THE N.Y. STATE ASSOCIATION OF PROFESSIONAL LAND SURVEYORS, SAID CERTIFICATIONS SHALL RUN ONLY TO THE PERSON FOR WHOM THE SURVEY IS PREPARED, AND ON BEHALF OF THE TITLE COMPANY, GOVERNMENTAL AGENCY AND LENDING INSTITUTION LISTED HEREON, AND TO THE ASSIGNEES OF THE LENDING INSTITUTION OR SUBSEQUENT OWNERS.

LEGEND

- PROPERTY LINE
- ADJOINER PROPERTY LINE
- ROAD RIGHT-OF-WAY
- STONE WALL
- ROAD CENTERLINE
- OVERHEAD WIRE
- STREAM CENTERLINE
- CONTOUR - MAJOR
- CONTOUR - MINOR
- SWALE CENTERLINE
- EDGE OF ASPHALT
- EXISTING TREELINE
- PALUSTRINE FORESTED WETLAND (PFO)
- UTILITY POLE
- IRON MONUMENT
- FOUND CONCRETE MONUMENT
- EXISTING SIGN
- GUY WIRE



2 Winners Circle, Suite 102
Albany, NY 12205
www.bergmannpc.com
office: 518.862.0325

HILLSIDE SOLAR LLC

227 GUARD HILL ROAD
BEDFORD CORNERS, NY 10549

**OLD HILL FARM
SOLAR FARM**

571 EAST MAIN STREET
JEFFERSON VALLEY, NY 10535

Date Revised	Description
10/13/2021	REVISED PER CLIENT COMMENTS
12/01/2021	REVISED PER TREE COMMISSION COMMENTS
12/28/2021	REVISED PER FIRE DEPARTMENT COMMENTS
1/07/2022	REVISED PER SITE VISIT WITH FIRE DEPARTMENT
1/13/2022	REVISED PER ENGINEERING DEPARTMENT COMMENTS
1/20/2022	REVISED PER TCAC COMMENTS

**PRELIMINARY
NOT FOR CONSTRUCTION**

Copyright © Bergmann Associates, Architects, Engineers, Landscape Architects & Surveyors, D.P.C

Project Manager	Discipline Lead
ECR	ECR
Designer	Reviewer
AG	ECR
Date Issued	Project Number
07/28/2021	14064.11

Sheet Name

**EXISTING CONDITIONS
PLAN**

Drawing Number

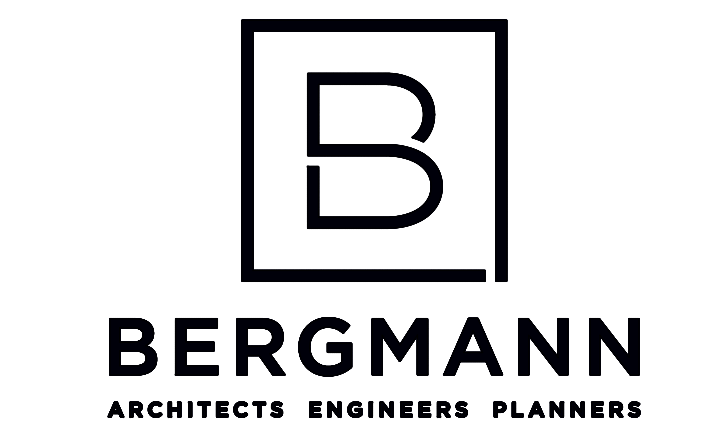
C003



SITE PLAN DATA TABLE		
SITE IS LOCATED IN THE "R1-20" ONE-FAMILY RESIDENTIAL		
PROPOSED USE: SOLAR ENERGY SYSTEM		
PARCEL 16.08-1-17		
TOWN OF YORKTOWN, COUNTY OF WESTCHESTER		
STATE OF NEW YORK		
APPLICANT: POWERLEX 805 THIRD AVENUE NEW YORK, NY, 120022 (917) 426-9523	OWNER(S) OF RECORD: ROMER BEATO	
PLANS PREPARED BY: BERGMANN 2 WINNERS CIRCLE, SUITE 102 ALBANY, NY 12205 (518) 862-0325		
DESCRIPTION	REQUIRED	PROPOSED
MIN. LOT SIZE	N/A	844,987± SF
MINIMUM LOT WIDTH	N/A	900± FT
MIN. SIDE YARD SETBACK	50 FT	50± FT
MIN. FRONT YARD SETBACK	50 FT	51± FT
MIN. REAR YARD SETBACK	50 FT	50± FT

NOTES
1. REQUIRED ZONING STANDARDS REFLECT THE MOST STRICT RESIDENTIAL ZONING REQUIREMENTS OF THE TOWN OF YORKTOWN PER SECTION 300 ATTACHMENT 1 APPENDIX A RESIDENCE ZONE STANDARDS.

LEGEND	
	PROPERTY LINE
	SET BACK LINE
	WETLAND SET BACK
	STONE WALL
	ADJOINER PROPERTY LINE
	ROAD RIGHT-OF-WAY
	EXISTING ROAD CENTERLINE
	EXISTING OVERHEAD WIRE
	EXISTING STREAM CENTERLINE
	PROPOSED FENCE LINE
	PROPOSED OVERHEAD UTILITY LINE
	PROPOSED UNDERGROUND UTILITY LINE
	PROPOSED SWALE
	PROPOSED TREELINE
	SWALE CENTERLINE
	EXISTING BUILDING
	EXISTING EDGE OF ASPHALT
	EXISTING TREELINE
	PROPOSED DRIVEWAY
	PALUSTRINE FORESTED WETLAND (PFO)
	PROPOSED SOLAR PANEL
	EXISTING UTILITY POLE



2 Winners Circle, Suite 102
Albany, NY 12205
www.bergmannpc.com
office: 518.862.0325

HILLSIDE SOLAR LLC

227 GUARD HILL ROAD
BEDFORD CORNERS, NY 10549

OLD HILL FARM SOLAR FARM

571 EAST MAIN STREET
JEFFERSON VALLEY, NY 10535

Date Revised	Description
10/13/2021	REVISED PER CLIENT COMMENTS
12/01/2021	REVISED PER TREE COMMISSION COMMENTS
12/28/2021	REVISED PER FIRE DEPARTMENT COMMENTS
1/07/2022	REVISED PER SITE VISIT WITH FIRE DEPARTMENT
1/13/2022	REVISED PER ENGINEERING DEPARTMENT COMMENTS
1/20/2022	REVISED PER TCAC COMMENTS

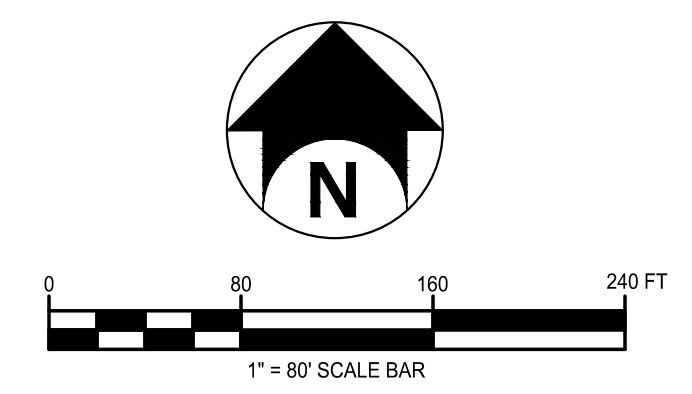
PRELIMINARY
NOT FOR CONSTRUCTION

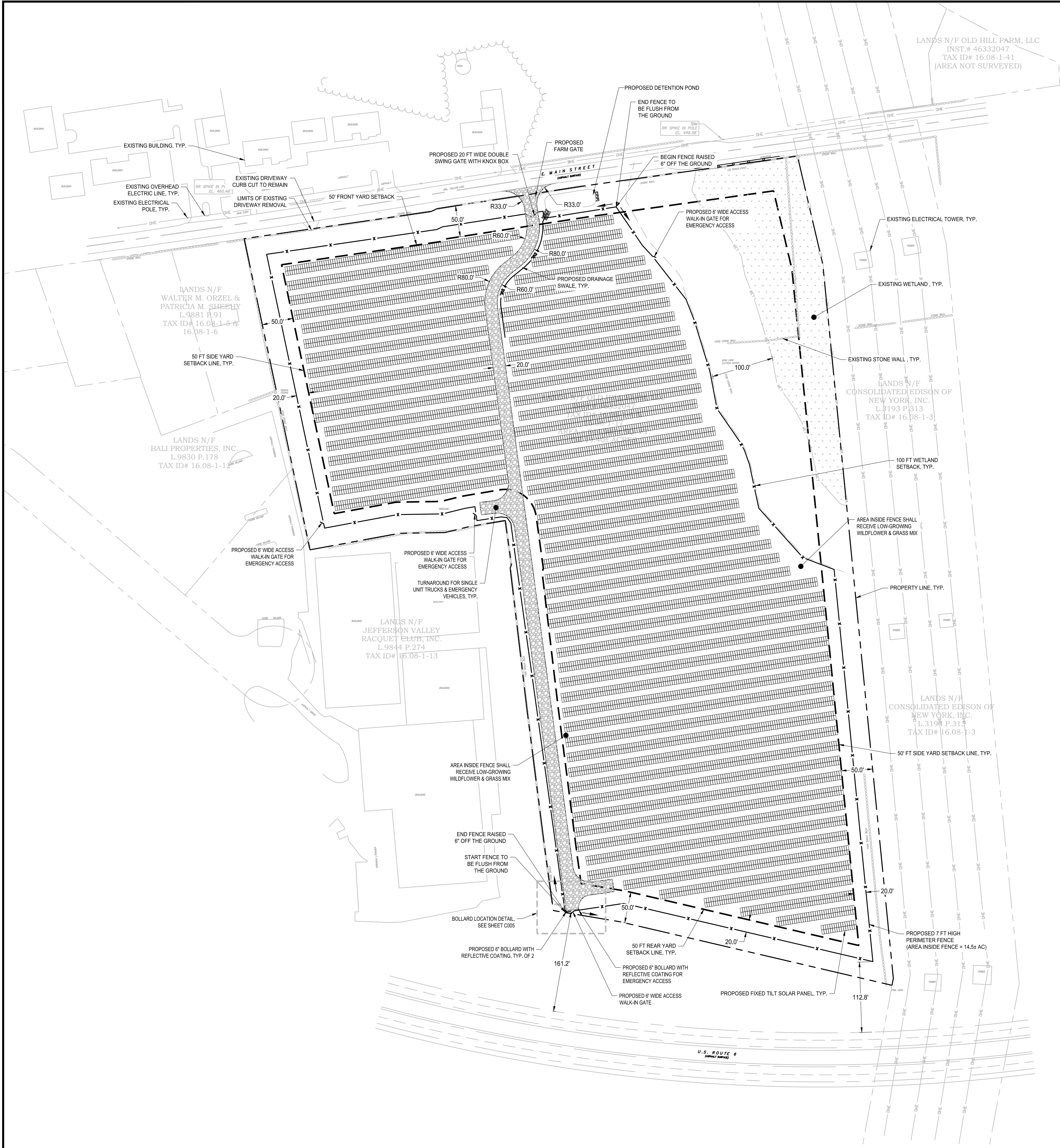
Copyright © Bergmann Associates, Architects, Engineers, Landscape Architects & Surveyors, D.P.C.

Project Manager ECR	Discipline Lead ECR
Designer AG	Reviewer ECR
Date Issued 07/28/2021	Project Number 14064.11
Sheet Name	

OVERALL SITE PLAN

Drawing Number
C004





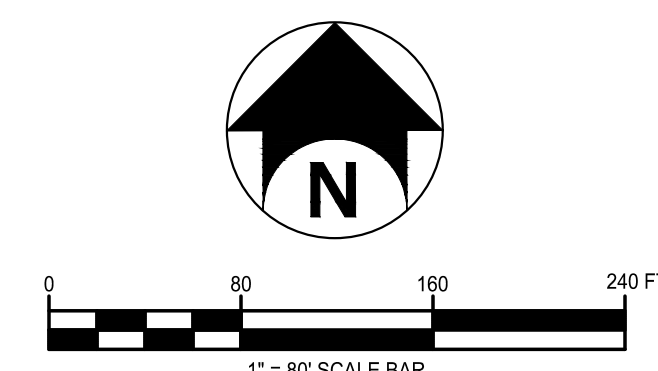
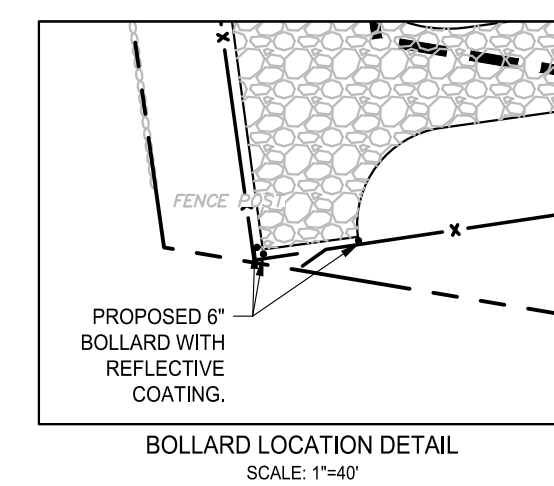
SITE PLAN DATA TABLE		
SITE IS LOCATED IN THE "R1-20" ONE-FAMILY RESIDENTIAL		
PROPOSED USE: SOLAR ENERGY SYSTEM		
PARCEL 16.08-1-17		
TOWN OF YORKTOWN, COUNTY OF WESTCHESTER		
STATE OF NEW YORK		
APPLICANT: POWERFLEX 805 THIRD AVENUE NEW YORK, NY, 12002 (917) 426-9523	OWNER(S) OF RECORD: ROMER BEATO	
PLANS PREPARED BY: BERGMANN 2 WINNERS CIRCLE, SUITE 102 ALBANY, NY 12205 (518) 862-0325		
DESCRIPTION	REQUIRED	PROPOSED
MIN. LOT SIZE	N/A	844,987 SF
MINIMUM LOT WIDTH	N/A	900 FT
MIN. SIDE YARD SETBACK	50 FT	50 FT
MIN. FRONT YARD SETBACK	50 FT	51 FT
MIN. REAR YARD SETBACK	50 FT	50 FT

NOTES

1. REQUIRED ZONING STANDARDS REFLECT THE MOST STRICT RESIDENTIAL ZONING REQUIREMENTS OF THE TOWN OF YORKTOWN PER SECTION 300 ATTACHMENT 1 APPENDIX A RESIDENCE ZONE STANDARDS.

LEGEND

	PROPERTY LINE
	SET BACK LINE
	WETLAND SET BACK
	STONE WALL
	ADJOINER PROPERTY LINE
	ROAD RIGHT-OF-WAY
	EXISTING ROAD CENTERLINE
	EXISTING OVERHEAD WIRE
	EXISTING STREAM CENTERLINE
	PROPOSED FENCE LINE
	PROPOSED OVERHEAD UTILITY LINE
	PROPOSED UNDERGROUND UTILITY LINE
	PROPOSED SWALE
	PROPOSED TREELINE
	SWALE CENTERLINE
	EXISTING BUILDING
	EXISTING EDGE OF ASPHALT
	EXISTING TREELINE
	PROPOSED DRIVEWAY
	PALUSTRINE FORESTED WETLAND (PFO)
	PROPOSED SOLAR PANEL
	EXISTING UTILITY POLE
	6' BOLLARD



2 Winners Circle, Suite 102
Albany, NY 12205
www.bergmannpc.com
office: 518.862.0325

HILLSIDE SOLAR LLC

227 GUARD HILL ROAD
BEDFORD CORNERS, NY 10549

**OLD HILL FARM
SOLAR FARM**

571 EAST MAIN STREET
JEFFERSON VALLEY, NY 10535

Date Revised	Description
10/13/2021	REVISED PER CLIENT COMMENTS
12/01/2021	REVISED PER TREE COMMISSION COMMENTS
12/28/2021	REVISED PER FIRE DEPARTMENT COMMENTS
1/07/2022	REVISED PER SITE VISIT WITH FIRE DEPARTMENT
1/13/2022	REVISED PER ENGINEERING DEPARTMENT COMMENTS
1/20/2022	REVISED PER TCAC COMMENTS

**PRELIMINARY
NOT FOR CONSTRUCTION**

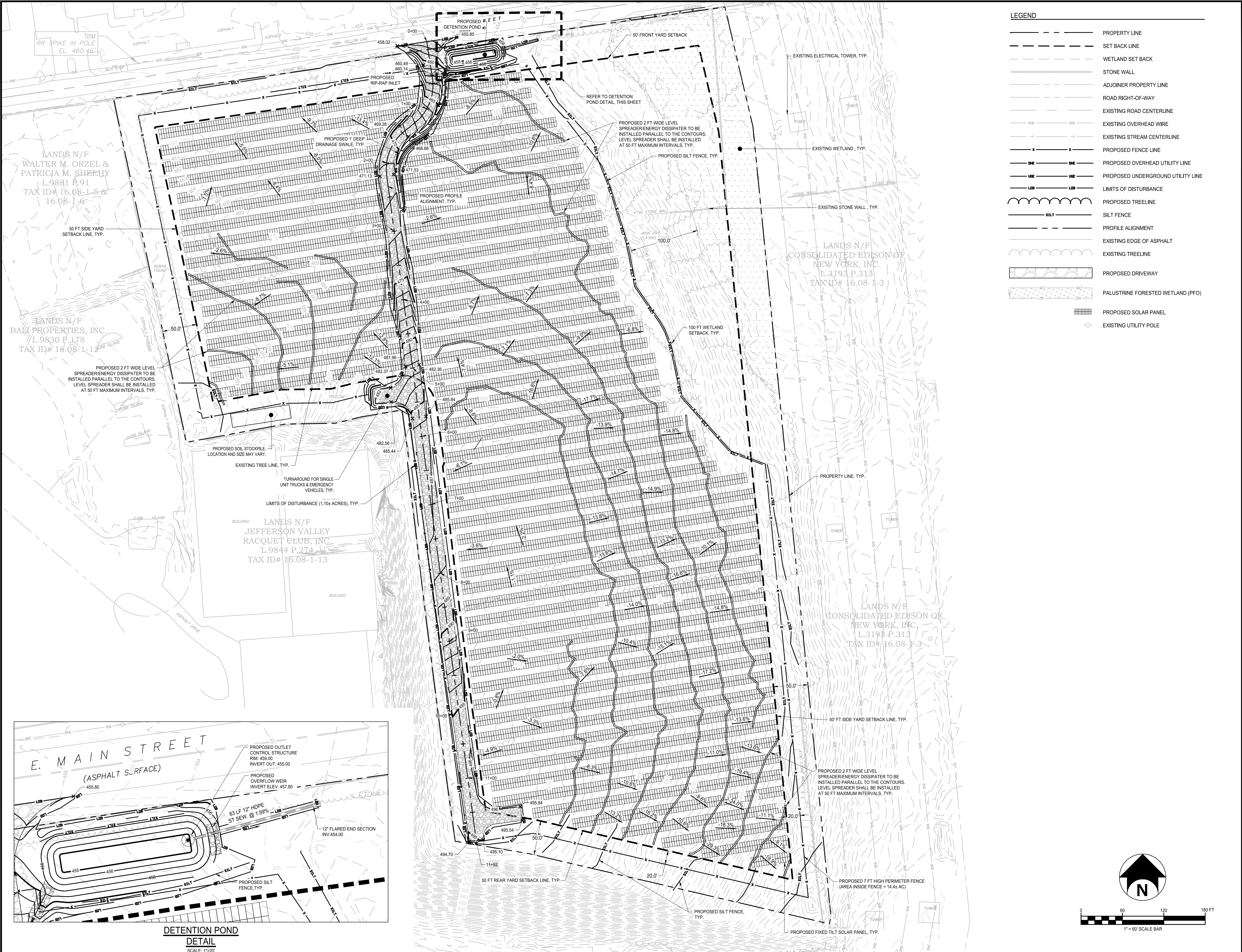
Copyright © Bergmann Associates, Architects, Engineers, Landscape Architects & Surveyors, D.P.C

Project Manager ECR	Discipline Lead ECR
Designer AG	Reviewer ECR
Date Issued 07/28/2021	Project Number 14064.11

Sheet Name

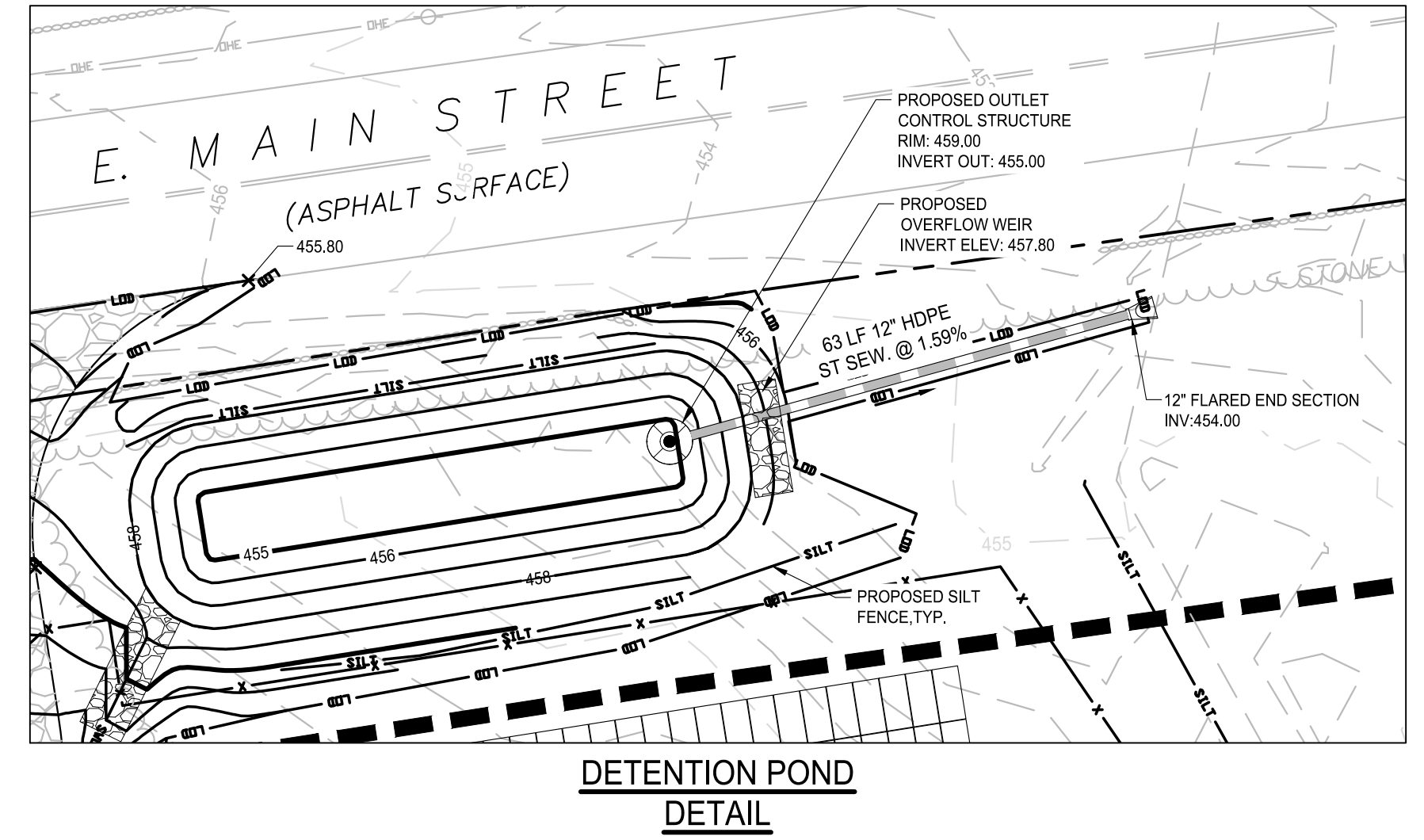
SITE PLAN

Drawing Number
C005



LEGEND

	PROPERTY LINE
	SET BACK LINE
	WETLAND SET BACK
	STONE WALL
	ADJOINER PROPERTY LINE
	ROAD RIGHT-OF-WAY
	EXISTING ROAD CENTERLINE
	EXISTING OVERHEAD WIRE
	EXISTING STREAM CENTERLINE
	PROPOSED FENCE LINE
	PROPOSED OVERHEAD UTILITY LINE
	PROPOSED UNDERGROUND UTILITY LINE
	LIMITS OF DISTURBANCE
	PROPOSED TREELINE
	SILT FENCE
	PROFILE ALIGNMENT
	EXISTING EDGE OF ASPHALT
	EXISTING TREELINE
	PROPOSED DRIVEWAY
	PALUSTRINE FORESTED WETLAND (PFO)
	PROPOSED SOLAR PANEL
	EXISTING UTILITY POLE



2 Winners Circle, Suite 102
Albany, NY 12205
www.bergmannpc.com
office: 518.862.0325

HILLSIDE SOLAR LLC

227 GUARD HILL ROAD
BEDFORD CORNERS, NY 10549

OLD HILL FARM SOLAR FARM

571 EAST MAIN STREET
JEFFERSON VALLEY, NY 10535

Date Revised	Description
10/13/2021	REVISED PER CLIENT COMMENTS
12/01/2021	REVISED PER TREE COMMISSION COMMENTS
12/28/2021	REVISED PER FIRE DEPARTMENT COMMENTS
1/07/2022	REVISED PER SITE VISIT WITH FIRE DEPARTMENT
1/13/2022	REVISED PER ENGINEERING DEPARTMENT COMMENTS
1/20/2022	REVISED PER TCAC COMMENTS

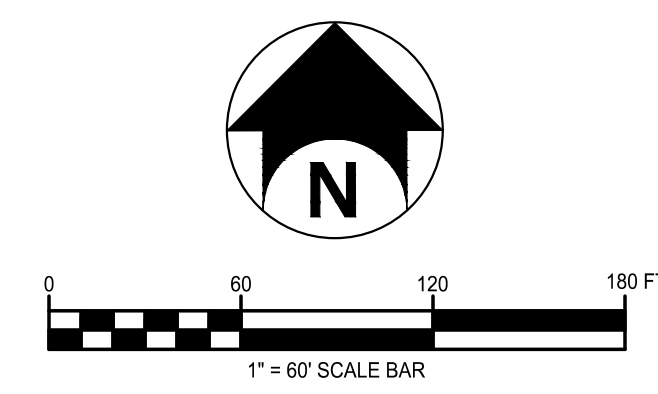
PRELIMINARY NOT FOR CONSTRUCTION

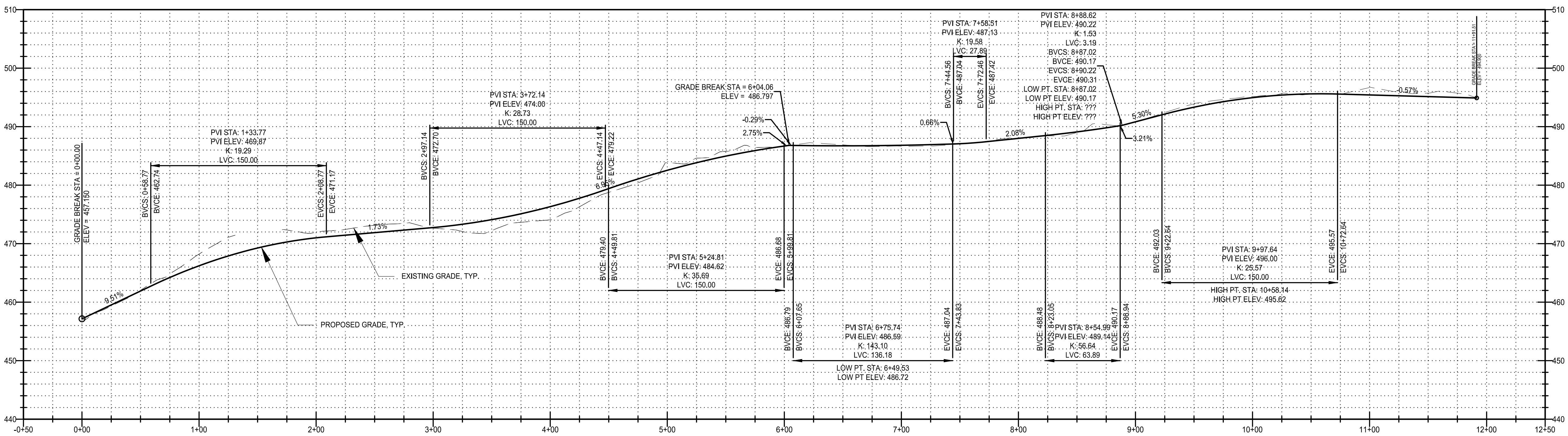
Copyright © Bergmann Associates, Architects, Engineers, Landscape Architects & Surveyors, D.P.C.

Project Manager	Discipline Lead
ECR	ECR
Designer	Reviewer
AG	ECR
Date Issued	Project Number
07/28/2021	14064.11

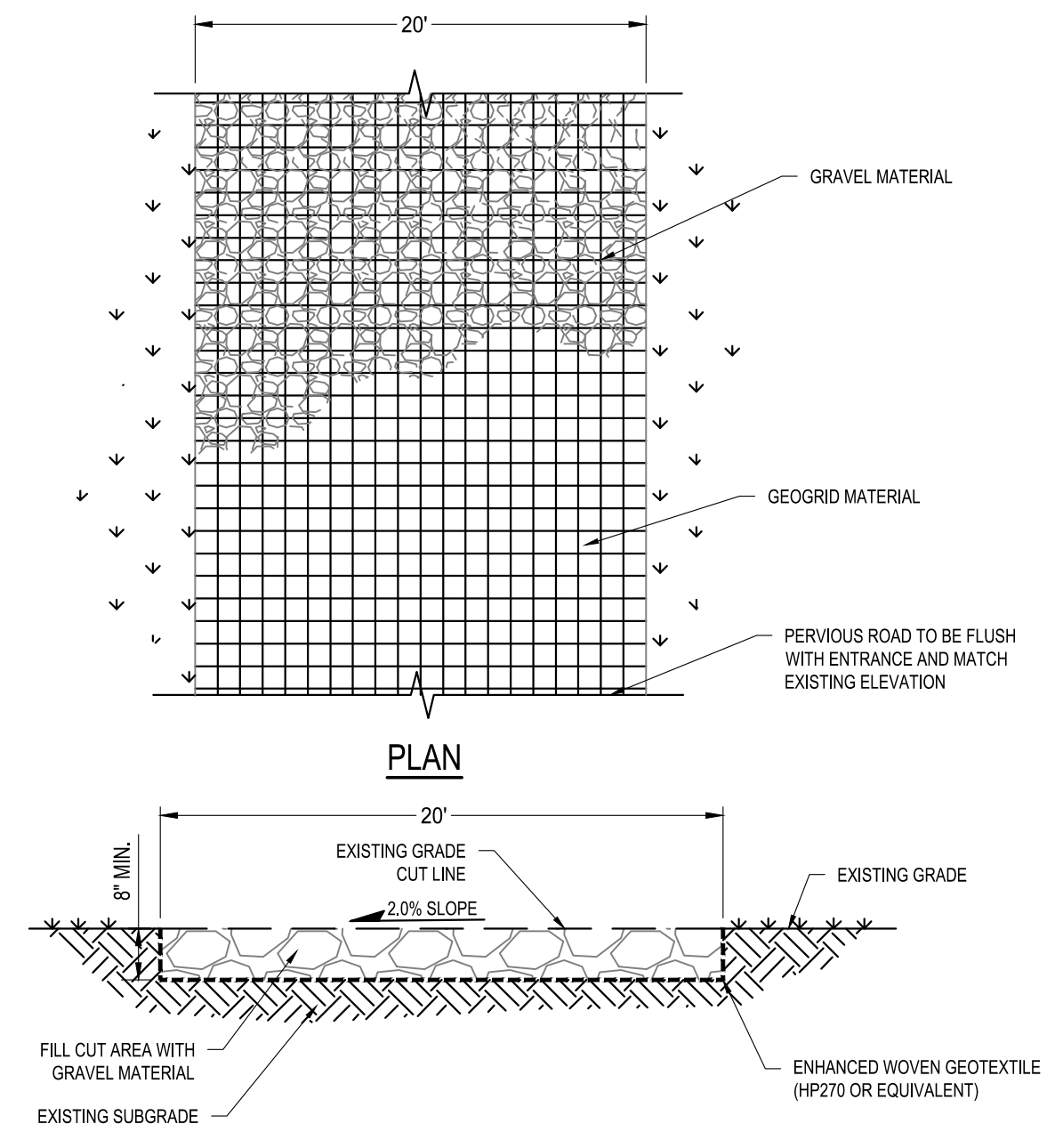
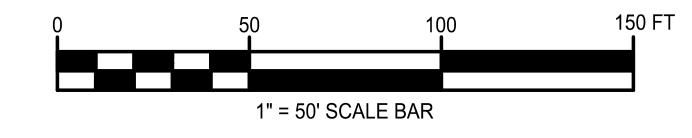
Sheet Name
GRADING & EROSION & SEDIMENT CONTROL PLAN

Drawing Number
C006





DRIVEWAY PROFILE
1"=10' VERTICAL
1"=50' HORIZONTAL



LIMITED USE PERVIOUS ACCESS ROAD - 0% TO 10% SLOPES
 NO SCALE

GEOGRID MATERIAL NOTES:

1. THE GEOGRID, OR COMPARABLE PRODUCT, IS INTENDED FOR USE IN ALL CONDITIONS, IN ORDER TO ASSIST IN MATERIAL SEPARATION FROM NATIVE SOILS AND PRESERVE ACCESS LOADS.
2. GRAVEL FILL MATERIAL SHALL CONSIST OF 1-4" CLEAN, DURABLE, SHARP ANGLED CRUSHED STONE OF UNIFORM QUALITY, MEETING THE SPECIFICATION OF NYSDOT 703-02. SIZE DESIGNATION 3/4" OF TABLE 703-4. STONE MAY BE PLACED IN FRONT OF AND SPREAD WITH A TRACKED VEHICLE. GRAVEL SHALL NOT BE COMPACTED.
3. GEOGRID SHALL BE ENHANCED WOVEN GEOTEXTILE (HP270 OR EQUIVALENT). GEOGRID SHALL BE DESIGNED BASED ON EXISTING SOIL CONDITIONS AND PROPOSED HAUL ROAD SLOPES.
4. IF MORE THAN ONE ROLL WIDTH IS REQUIRED, ROLLS SHOULD OVERLAP A MINIMUM OF SIX INCHES.
5. REFER TO MANUFACTURER'S SPECIFICATION FOR PROPER TYING AND CONNECTIONS.
6. LIMITED USE PERVIOUS ACCESS ROAD SHALL BE DRESSED AS REQUIRED WITH ONLY 1-4" CRUSHED STONE MEETING NYSDOT 703-02 SPECIFICATIONS.

ENHANCED WOVEN GEOTEXTILE MATERIAL NOTES:

1. SPECIFIED GEOTEXTILE WILL ONLY BE UTILIZED IN PLACID SOILS. PLACID SOILS CONSIST OF POORLY DRAINED SOILS COMPOSED OF FINELY TEXTURED PARTICLES AND ARE PRONE TO RUTTING. PLACID SOILS ARE TYPICALLY PRESENT IN LOW-LYING AREAS WITH HYDROLOGIC SOILS GROUP (HSG) OF C OR D OR AS SPECIFIED FROM AN ENVIRONMENTAL SCIENTIST, SOIL SCIENTIST OR GEOTECHNICAL DATA.
2. THE CONCERN OF POTENTIAL REDUCTION OF NATIVE INFILTRATION RATES DUE TO THE GEOTEXTILE MATERIAL WOULD NOT BE A SIGNIFICANT CONCERN IN POORLY DRAINED SOILS WHERE SEGREGATION OF PERVIOUS STONE AND NATIVE MATERIALS IS CRUCIAL FOR LONG TERM OPERATION AND MAINTENANCE.

BASIS OF DESIGN: ENHANCED WOVEN GEOTEXTILE (HP270 OR EQUIVALENT)

- GENERAL NOTES:**
1. USE OF THIS DETAIL CRITERION IS LIMITED TO ACCESS ROADS USED ON AN OCCASIONAL BASIS ONLY (I.E. PROVIDE ACCESS FOR MOWING, EQUIPMENT REPAIR OR MAINTENANCE).
 2. LIMITED USE PERVIOUS ACCESS ROAD IS LIMITED TO LOW IMPACT IRREGULAR MAINTENANCE ACCESS ASSOCIATED WITH RENEWABLE ENERGY PROJECTS IN NEW YORK STATE.
 3. REMOVE STUMPS, ROCKS AND DEBRIS AS NECESSARY. FILL VOIDS TO MATCH EXISTING NATIVE SOILS AND COMPACTION LEVEL.
 4. REMOVED TOPSOIL MAY BE SPREAD IN ADJACENT AREAS AS DIRECTED BY THE PROJECT ENGINEER. COMPACT TO THE DEGREE OF THE NATIVE IN SITU SOIL. DO NOT PLACE IN AN AREA THAT IMPEDES STORM WATER DRAINAGE.
 5. GRADE ROADWAY, WHERE NECESSARY, TO NATIVE SOILS AND DESIRED ELEVATION. MINOR GRADING FOR CROSS SLOPE CUT AND FILL MAY BE REQUIRED.
 6. REMOVE REFUSE SOILS AS DIRECTED BY THE PROJECT ENGINEER. DO NOT PLACE IN AN AREA THAT IMPEDES STORM WATER DRAINAGE.
 7. ROADWAY WIDTH TO BE DETERMINED BY CLIENT.
 8. THE LIMITED USE PERVIOUS ACCESS ROAD CROSS SLOPE SHALL BE 1.5% IN MOST CASES AND SHOULD NOT EXCEED 6%. THE LONGITUDINAL SLOPE OF THE ACCESS DRIVE SHOULD NOT EXCEED 15%.
 9. LIMITED USE PERVIOUS ACCESS ROAD IS NOT INTENDED TO BE UTILIZED FOR CONSTRUCTION WHICH MAY SUBJECT THE ACCESS TO SEDIMENT TRACKING. THIS SPECIFICATION IS TO BE DEVELOPED FOR POST-CONSTRUCTION USE. SOIL RESTORATION PRACTICES MAY BE APPLICABLE TO RESTORE CONSTRUCTION RELATED COMPACTION TO PRE-EXISTING CONDITIONS AND SHOULD BE VERIFIED BY SOIL PENETROMETER READINGS. THE PENETROMETER READINGS SHALL BE COMPARED TO THE RESPECTIVE RECORDED READINGS TAKEN PRIOR TO CONSTRUCTION. EVERY 100 LINEAR FEET ALONG THE PROPOSED ROADWAY, TO ENSURE THAT SOIL IS NOT TRACKED ONTO THE LIMITED USE PERVIOUS ACCESS ROAD, IT SHALL NOT BE USED BY CONSTRUCTION VEHICLES TRANSPORTING SOIL, FILL MATERIAL, ETC. IF THE LIMITED USE PERVIOUS ACCESS IS COMPLETED DURING THE INITIAL PHASES OF CONSTRUCTION AND UTILIZED TO REMOVE SEDIMENT FROM CONSTRUCTION VEHICLES AND EQUIPMENT PRIOR TO ENTERING THE LIMITED USE PERVIOUS ACCESS ROAD FROM ANY LOCATION ON OR OFF SITE, MAINTENANCE OF THE PERVIOUS ACCESS ROAD WILL BE REQUIRED IF SEDIMENT IS OBSERVED WITHIN THE CLEAN STONE.
 11. THE LIMITED USE PERVIOUS ACCESS ROAD SHALL NOT BE CONSTRUCTED OR USED UNTIL ALL AREAS SUBJECT TO RUNOFF ONTO THE PERVIOUS ACCESS HAVE ACHIEVED FINAL STABILIZATION.
 12. PROJECTS SHOULD AVOID INSTALLATION OF THE LIMITED USE PERVIOUS ACCESS ROAD IN POORLY DRAINED AREAS. HOWEVER IF NO ALTERNATIVE LOCATION IS AVAILABLE, THE PROJECT SHALL UTILIZE WOVEN GEOTEXTILE MATERIAL AS DETAIL IN FOLLOWING NOTES.
 13. THE DRAINAGE DITCH IS OFFERED IN THE DETAIL FOR CIRCUMSTANCES WHEN CONCENTRATED FLOW COULD NOT BE AVOIDED. THE INTENTION OF THE DESIGN IS TO MINIMIZE ALTERATIONS TO HYDROLOGY. HOWEVER WHEN DEALING WITH 5%-15% GRADES NOT PARALLEL TO THE CONTOUR, A ROADSIDE DITCH MAY BE REQUIRED. THE NYS STANDARDS AND SPECIFICATIONS FOR EROSION AND SEDIMENT CONTROLS FOR GRASSED WATERWAYS AND VEGETATED WATERWAYS ARE APPLICABLE FOR SIZING AND STABILIZATION. DIMENSIONS FOR THE GRASSED WATERWAY SPECIFICATION SHOULD BE DESIGNED FOR PROJECT SPECIFIC HYDROLOGIC RUNOFF CALCULATIONS, AND A SEPARATE DETAIL FOR THE SPECIFIC GRASSED WATERWAY WOULD BE INCLUDED IN THIS PRACTICE. RUNOFF DISCHARGE WILL BE SUBJECT TO THE OUTLET REQUIREMENTS OF THE REFERENCED STANDARD. INCREASED POST-DEVELOPMENT RUNOFF FROM THE ASSOCIATED ROADSIDE DITCH MAY REQUIRE ADDITIONAL PRACTICES TO ATTENUATE RUNOFF TO PRE-DEVELOPMENT CONDITIONS.
 14. IF A ROADSIDE DITCH IS NOT UTILIZED TO CAPTURE RUNOFF FROM THE ACCESS ROAD, THE PERVIOUS ACCESS ROAD WILL HAVE A WELL-ESTABLISHED PERENNIAL VEGETATIVE COVER, WHICH SHALL CONSIST OF UNIFORM VEGETATION (I.E. BUFFER), 20 FEET WIDE AND PARALLEL TO THE DOWN GRADIENT SIDE OF THE ACCESS ROAD. POST-CONSTRUCTION OPERATION AND MAINTENANCE PRACTICES WILL MAINTAIN THIS VEGETATIVE COVER TO ENSURE FINAL STABILIZATION FOR THE LIFE OF THE ACCESS ROAD.
 15. THE DESIGN PROFESSIONAL MUST ACCOUNT FOR THE LIMITED USE PERVIOUS ACCESS ROAD IN THEIR SITE ASSESSMENT / HYDROLOGY ANALYSIS. IF THE HYDROLOGY ANALYSIS SHOWS THAT THE HYDROLOGY HAS BEEN ALTERED FROM PRE- TO POST-DEVELOPMENT CONDITIONS (SEE APPENDIX A OF GP-0-20-01 FOR THE DEFINITION OF "ALTER THE HYDROLOGY..."), THE DESIGN MUST INCLUDE THE NECESSARY DETENTION/RETENTION PRACTICES TO ATTENUATE THE RATES (10 AND 100 YEAR EVENTS) TO PRE-DEVELOPMENT CONDITIONS.

2 Winners Circle, Suite 102
 Albany, NY 12205
 www.bergmannpc.com
 office: 518.862.0325

HILLSIDE SOLAR LLC

227 GUARD HILL ROAD
 BEDFORD CORNERS, NY 10549

OLD HILL FARM SOLAR FARM

571 EAST MAIN STREET
 JEFFERSON VALLEY, NY 10535

Date Revised	Description
10/13/2021	REVISED PER CLIENT COMMENTS
12/01/2021	REVISED PER TREE COMMISSION COMMENTS
12/28/2021	REVISED PER FIRE DEPARTMENT COMMENTS
1/07/2022	REVISED PER SITE VISIT WITH FIRE DEPARTMENT
1/13/2022	REVISED PER ENGINEERING DEPARTMENT COMMENTS
1/20/2022	REVISED PER TCAC COMMENTS

PRELIMINARY
 NOT FOR CONSTRUCTION

Copyright © Bergmann Associates, Architects, Engineers, Landscape Architects & Surveyors, D.P.C

Project Manager	Discipline Lead
ECR	ECR
Designer	Reviewer
AG	ECR
Date Issued	Project Number
07/28/2021	14064.11

Sheet Name

GRADING PLAN DETAILS

Drawing Number
C007



PLANT LIST									
Key	Qty.	Botanical Name	Common Name	Mature Size		Installed Size	Condition	DBH	
				Height	Spread				
Evergreen Trees									
JV	75	Juniperus Virginiana	Eastern Red Cedar	30'-60'	10'-25'	8' HL	B&B	3"	
PG	67	Picea Glauca	White Spruce	40'-60'	10'-20'	8' HL	B&B	3"	
PG-1	5	Picea Glauca	White Spruce	40'-60'	10'-20'	12' HL	B&B	5"	
AC	60	Abies Concolor	White Fir	50'-75'	20'-30'	6'-7' HL	B&B	3"	
PP	64	Pinus Strobus	Eastern White Pine	50'-60'	20'-40'	7'-8' HL	B&B	3"	
TOTAL	265								

LEGEND:

- PROPOSED TREE PLANTING
- SEED LIMIT LINE
- SEED SCHEDULE 'B'
- PROPOSED GRAVEL DRIVEWAY
- PROTECTED WOODLAND AREA TO BE DISTURBED
- EXISTING ROAD
- ADJ. PROPERTY/R.O.W. LINE (SURVEYED)
- FENCE LINE
- EXISTING VEGETATION
- PROPOSED LIMITS OF TREE CLEARING
- PALUSTRINE FORESTED WETLAND (PFO)
- STREAM
- 100 FT WELAND SETBACK
- EXISTING TREES TO REMAIN
- EXISTING TREES TO BE REMOVED

TREES TO BE REMOVED	TREES TO REMAIN	NUMBER OF TREES WITH DIAMETER AT BREAST HEIGHT 5" - 7"	NUMBER OF TREES WITH DIAMETER AT BREAST HEIGHT 7" - 24"	NUMBER OF TREES WITH DIAMETER AT BREAST HEIGHT > 24"
578	121	8	602	90



2 Winners Circle, Suite 102
Albany, NY 12205
www.bergmannpc.com
office: 518.862.0325

HILLSIDE SOLAR LLC

227 GUARD HILL ROAD
BEDFORD CORNERS, NY 10549

OLD HILL FARM SOLAR FARM

571 EAST MAIN STREET
JEFFERSON VALLEY, NY 10535

Date Revised	Description
10/13/2021	REVISED PER CLIENT COMMENTS
12/01/2021	REVISED PER TREE COMMISSION COMMENTS
12/28/2021	REVISED PER FIRE DEPARTMENT COMMENTS
1/07/2022	REVISED PER SITE VISIT WITH FIRE DEPARTMENT
1/13/2022	REVISED PER ENGINEERING DEPARTMENT COMMENTS
1/20/2022	REVISED PER TCAC COMMENTS

PRELIMINARY
NOT FOR CONSTRUCTION

Copyright © Bergmann Associates, Architects, Engineers, Landscape Architects & Surveyors, D.P.C

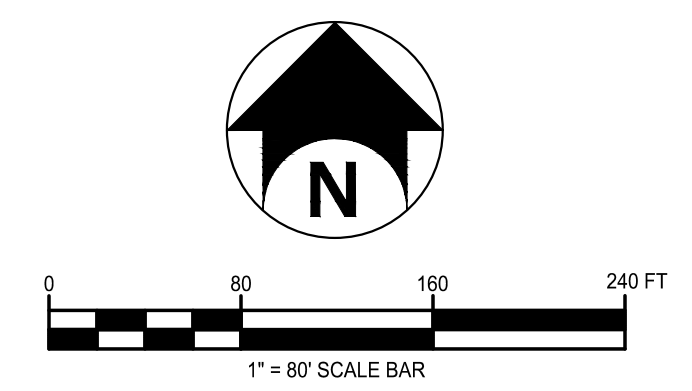
Project Manager	Discipline Lead
ECR	ECR
Designer	Reviewer
AG	ECR
Date Issued	Project Number
07/28/2021	14064.11

Sheet Name

LANDSCAPING & TREE MITIGATION PLAN

Drawing Number

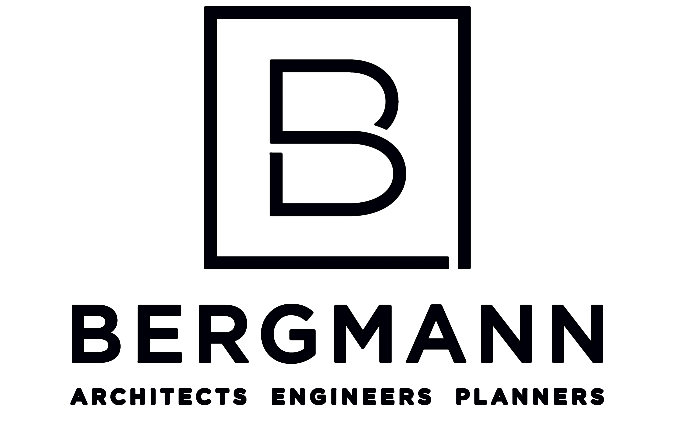
C008





LEGEND

	PROPERTY LINE
	SET BACK LINE
	WETLAND SET BACK
	STONE WALL
	ADJOINER PROPERTY LINE
	ROAD RIGHT-OF-WAY
	EXISTING ROAD CENTERLINE
	EXISTING OVERHEAD WIRE
	EXISTING STREAM CENTERLINE
	PROPOSED FENCE LINE
	PROPOSED OVERHEAD UTILITY LINE
	PROPOSED UNDERGROUND UTILITY LINE
	PROPOSED SWALE
	PROPOSED TREELINE
	SWALE CENTERLINE
	EXISTING BUILDING
	EXISTING EDGE OF ASPHALT
	EXISTING TREELINE
	PROPOSED DRIVEWAY
	PALUSTRINE FORESTED WETLAND (PFO)
	PHASE 1
	PHASE 2
	PHASE 3
	PROPOSED SOLAR PANEL
	EXISTING UTILITY POLE



2 Winners Circle, Suite 102
Albany, NY 12205
www.bergmannpc.com
office: 518.862.0325

HILLSIDE SOLAR LLC

227 GUARD HILL ROAD
BEDFORD CORNERS, NY 10549

**OLD HILL FARM
SOLAR FARM**

571 EAST MAIN STREET
JEFFERSON VALLEY, NY 10535

Date Revised	Description
10/13/2021	REVISED PER CLIENT COMMENTS
12/01/2021	REVISED PER TREE COMMISSION COMMENTS
12/28/2021	REVISED PER FIRE DEPARTMENT COMMENTS
1/07/2022	REVISED PER SITE VISIT WITH FIRE DEPARTMENT
1/13/2022	REVISED PER ENGINEERING DEPARTMENT COMMENTS
1/20/2022	REVISED PER TCAC COMMENTS

**PRELIMINARY
NOT FOR CONSTRUCTION**

Copyright © Bergmann Associates, Architects, Engineers, Landscape Architects & Surveyors, D.P.C.

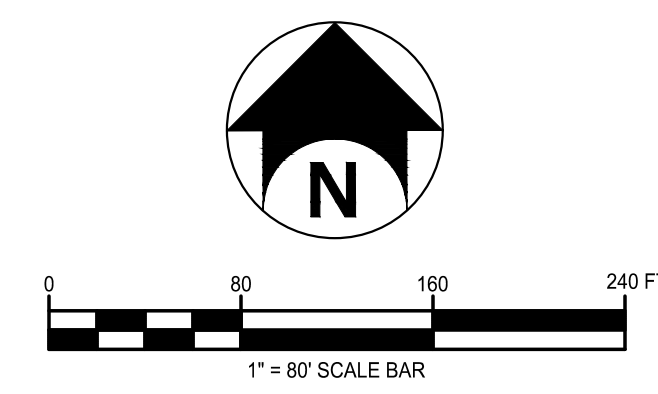
Project Manager	Discipline Lead
ECR	ECR
Designer	Reviewer
AG	ECR
Date Issued	Project Number
07/28/2021	14064.11

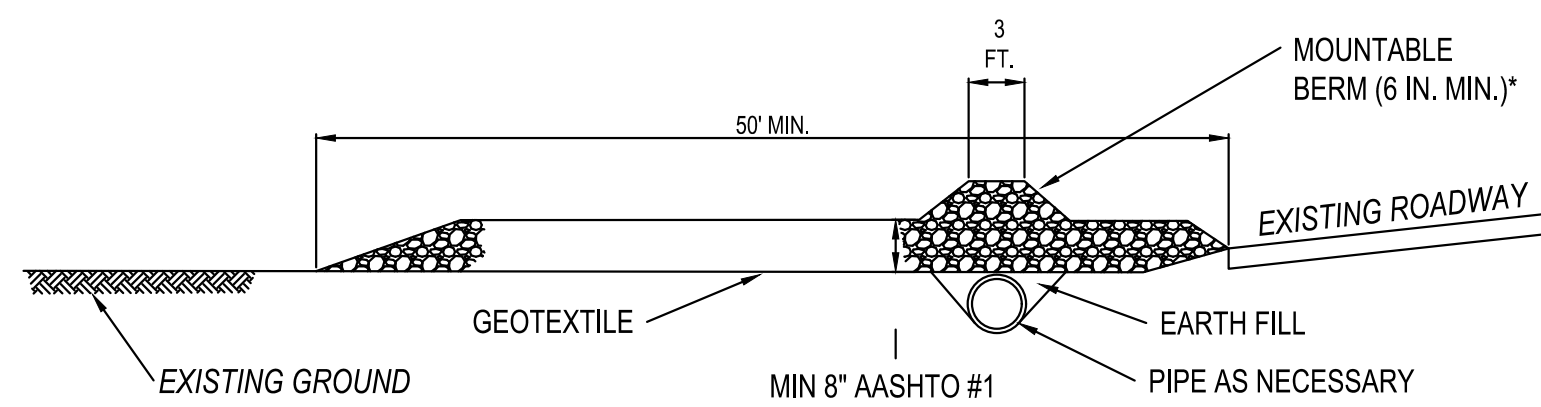
Sheet Name

PHASING PLAN

Drawing Number

C009





PROFILE

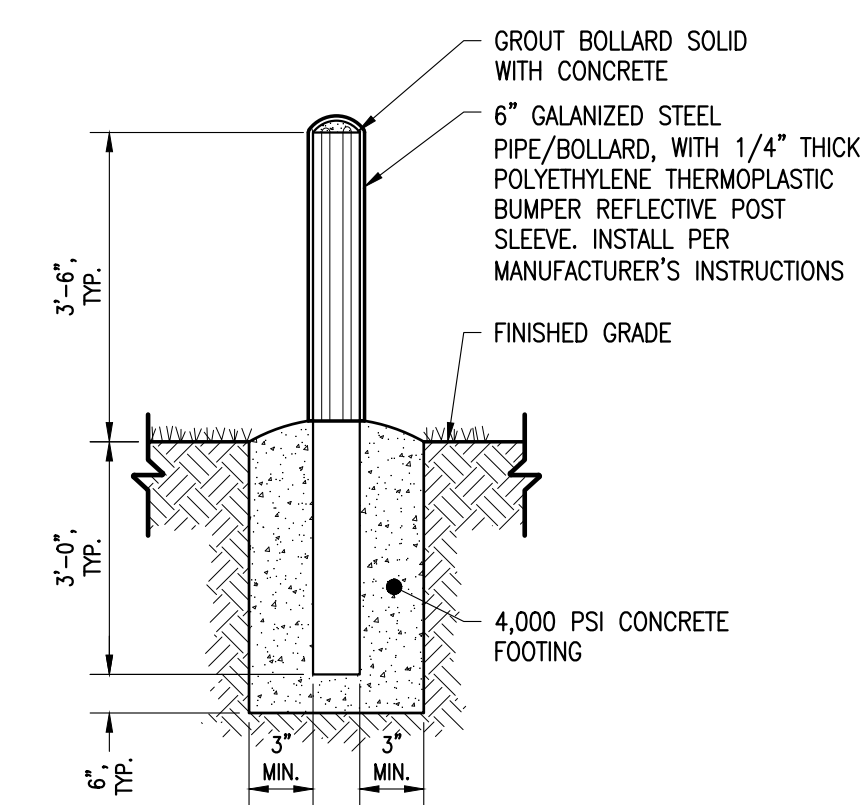
PLAN VIEW

* MOUNTABLE BERM USED TO PROVIDE PROPER COVER FOR PIPE

- NOTES:
1. REMOVE TOPSOIL PRIOR TO INSTALLATION OF ROCK CONSTRUCTION ENTRANCE. EXTEND ROCK OVER FULL WIDTH OF ENTRANCE.
 2. RUNOFF SHALL BE DIVERTED FROM ROADWAY TO A SUITABLE SEDIMENT REMOVAL BMP PRIOR TO ENTERING ROCK CONSTRUCTION ENTRANCE.
 3. MOUNTABLE BERM SHALL BE INSTALLED WHEREVER OPTIONAL CULVERT PIPE IS USED AND PROPER PIPE COVER AS SPECIFIED BY MANUFACTURER IS NOT OTHERWISE PROVIDED. PIPE SHALL BE SIZED APPROPRIATELY FOR SIZE OF DITCH BEING CROSSED.
 4. MAINTENANCE: ROCK CONSTRUCTION ENTRANCE THICKNESS SHALL BE CONSTANTLY MAINTAINED TO THE SPECIFIED DIMENSIONS BY ADDING ROCK. A STOCKPILE SHALL BE MAINTAINED ON SITE FOR THIS PURPOSE. ALL SEDIMENT DEPOSITED ON PAVED ROADWAYS SHALL BE REMOVED AND RETURNED TO THE CONSTRUCTION SITE IMMEDIATELY. IF EXCESSIVE AMOUNTS OF SEDIMENT ARE BEING DEPOSITED ON ROADWAY, EXTEND LENGTH OF ROCK CONSTRUCTION ENTRANCE BY 50 FOOT INCREMENTS UNTIL CONDITION IS ALLEVIATED OR INSTALL WASH RACK, WASHING THE ROADWAY OR SWEEPING THE DEPOSITS INTO ROADWAY DITCHES, SEWERS, CULVERTS, OR OTHER DRAINAGE COURSES IS NOT ACCEPTABLE.

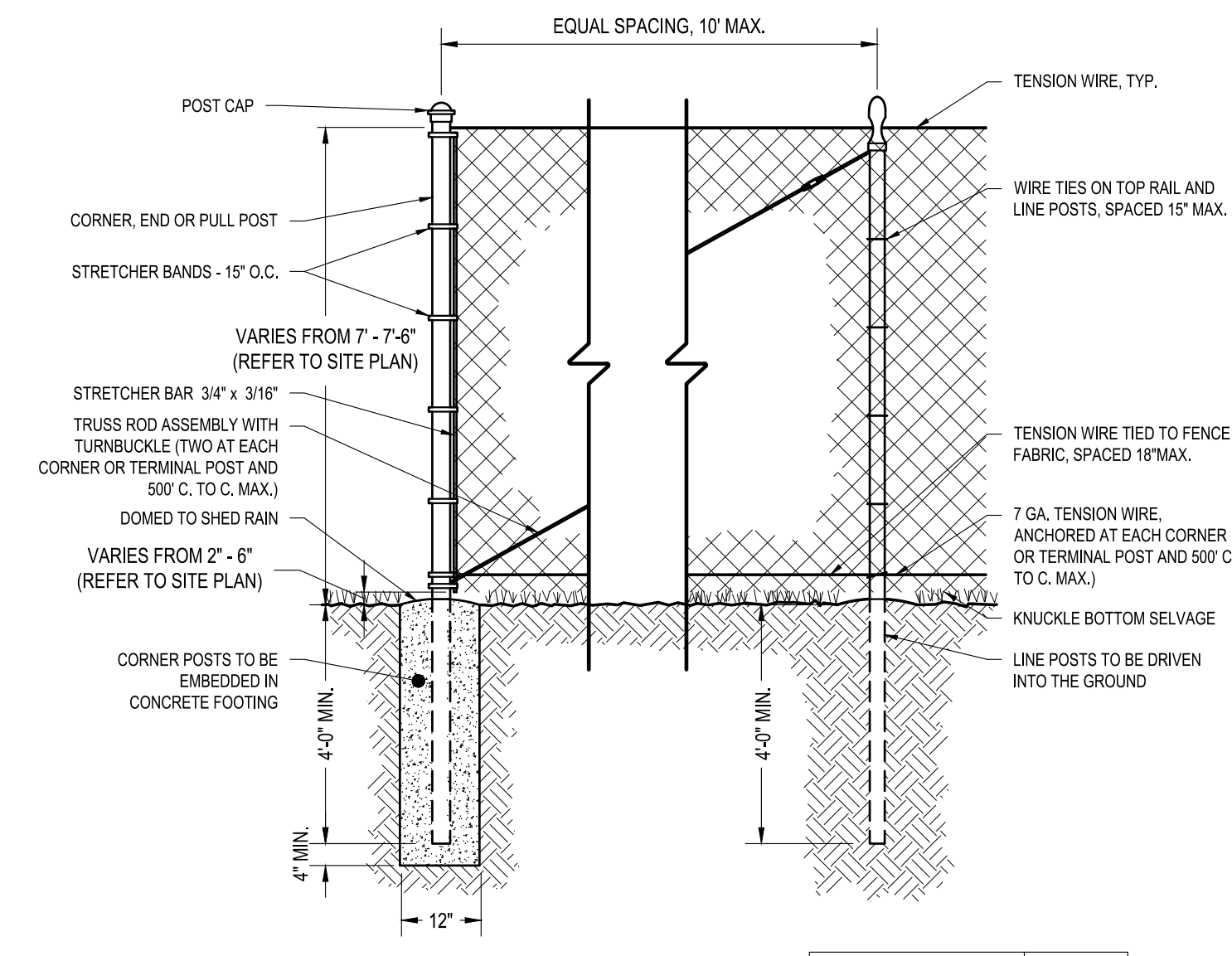
STABILIZED CONSTRUCTION ENTRANCE

N.T.S.



6" GALVANIZED STEEL PIPE BOLLARD W/SLEEVE
N.T.S.

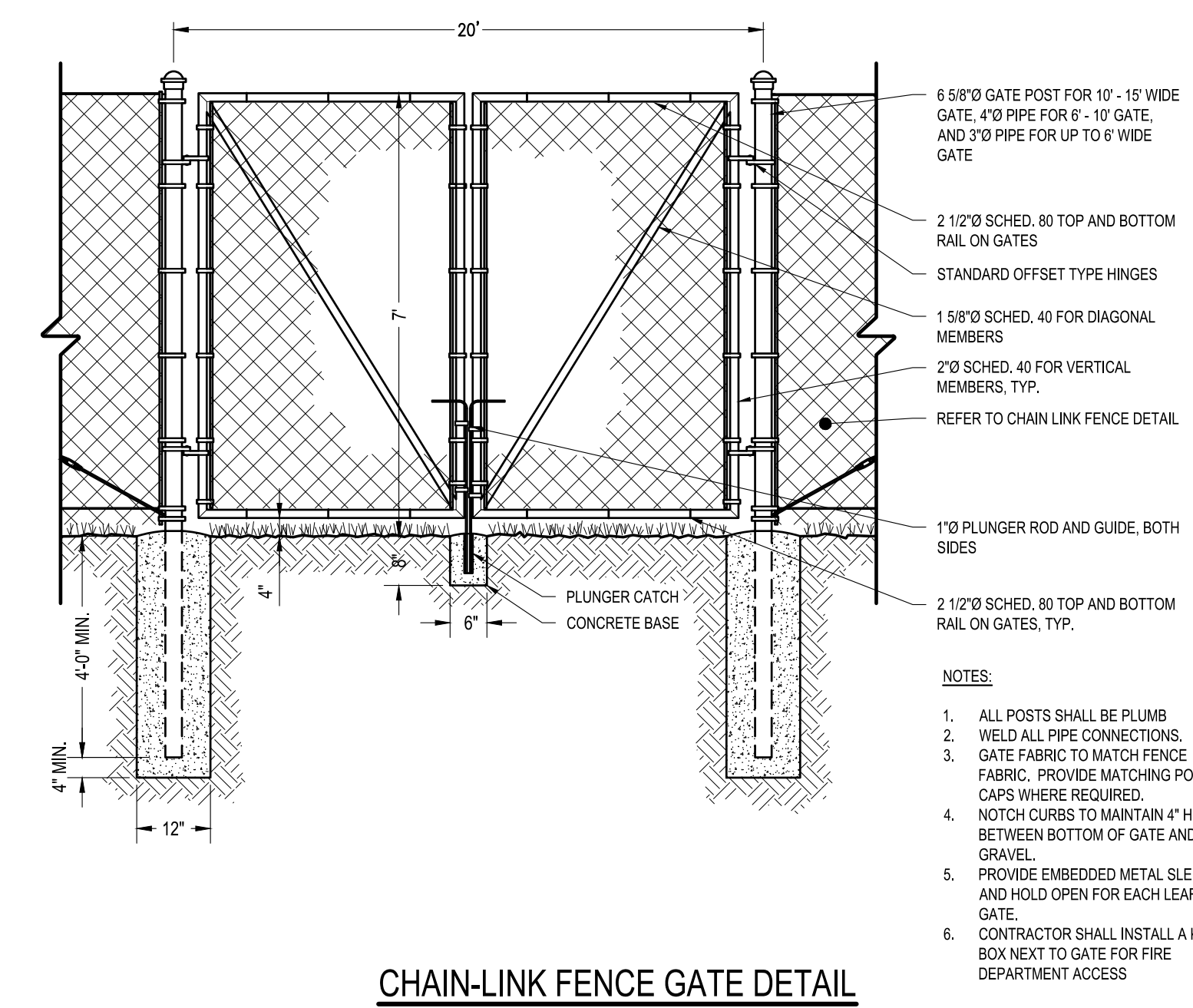
- NOTE:
1. WHEN BOLLARD IS TO BE INSTALLED IN GRASS, FOOTING SHALL BE EXTENDED TO FINISHED GRADE AND DOMED TO PROMOTE DRAINAGE AWAY FROM BOLLARD.
 2. BOLLARD SLEEVE COVER SHALL BE REFLECTIVE



CHAIN-LINK FENCE DETAIL
N.T.S.

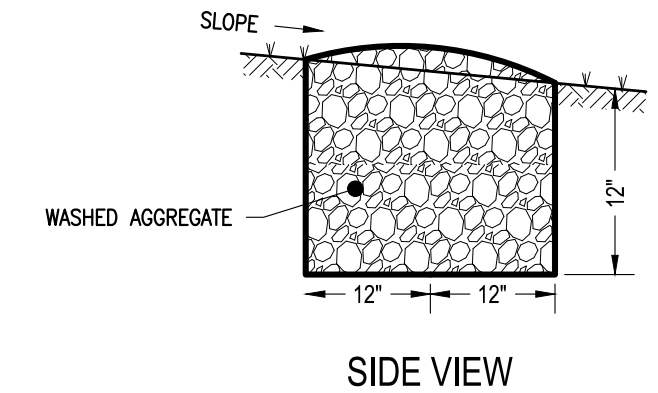
- NOTES:
1. ALL POSTS SHALL BE PLUMB
 2. WIRE TIES SHALL BE PLACED 15" ON CENTER ALONG TOP RAIL AND LINE POSTS.
 3. LINE POSTS SHALL BE DRIVEN INTO THE GROUND.
 4. CORNER POSTS SHALL BE EMBEDDED IN 12" DIAMETER CONCRETE FOOTING.

USE	NOM. OD.
LINE POSTS	2 1/2"
CORNER END, GATE, & PULL POSTS	3"
RAILS	1 5/8"
GATE FRAMES	2"



CHAIN-LINK FENCE GATE DETAIL
N.T.S.

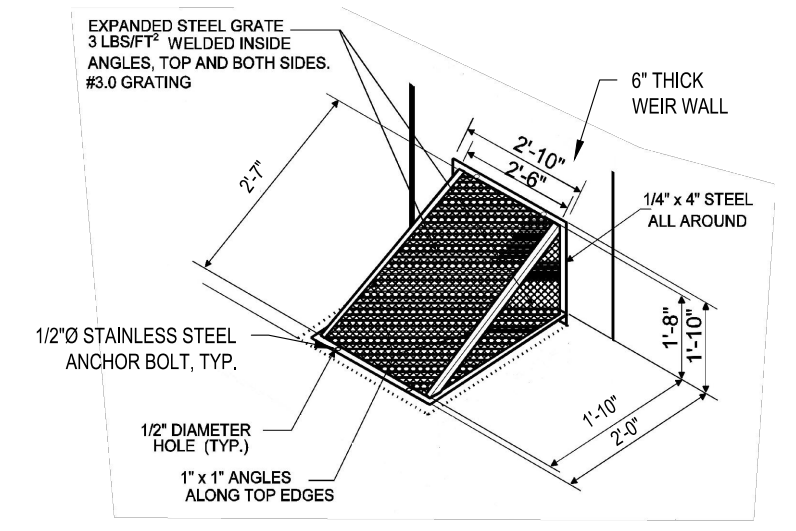
- NOTES:
1. ALL POSTS SHALL BE PLUMB
 2. WELD ALL PIPE CONNECTIONS.
 3. GATE FABRIC TO MATCH FENCE FABRIC. PROVIDE MATCHING POST CAPS WHERE REQUIRED.
 4. NOTCH CURBS TO MAINTAIN 4" HEIGHT BETWEEN BOTTOM OF GATE AND GRAVEL.
 5. PROVIDE EMBEDDED METAL SLEEVE AND HOLD OPEN FOR EACH LEAF OF GATE.
 6. CONTRACTOR SHALL INSTALL A KNOX BOX NEXT TO GATE FOR FIRE DEPARTMENT ACCESS



LEVEL SPREADER DETAIL
N.T.S.

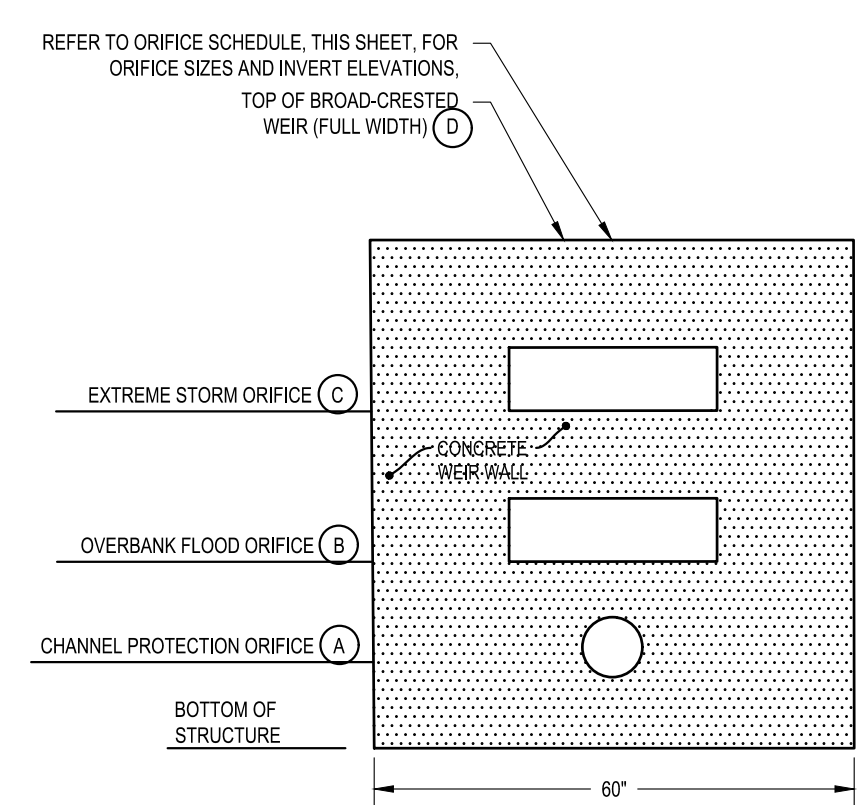
- NOTES:
1. LEVEL SPREADERS SHALL BE CONSTRUCTED PARALLEL WITH CONTOURS.

LEVEL SPREADER DETAIL
N.T.S.

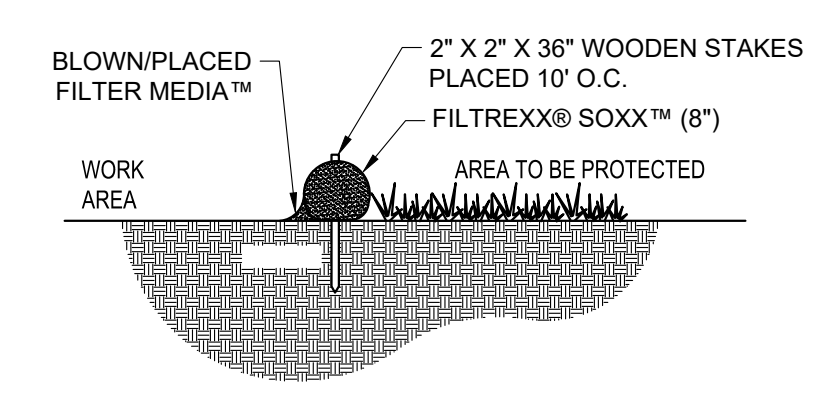


LOW FLOW ORIFICE TRASH RACK DETAIL
N.T.S.

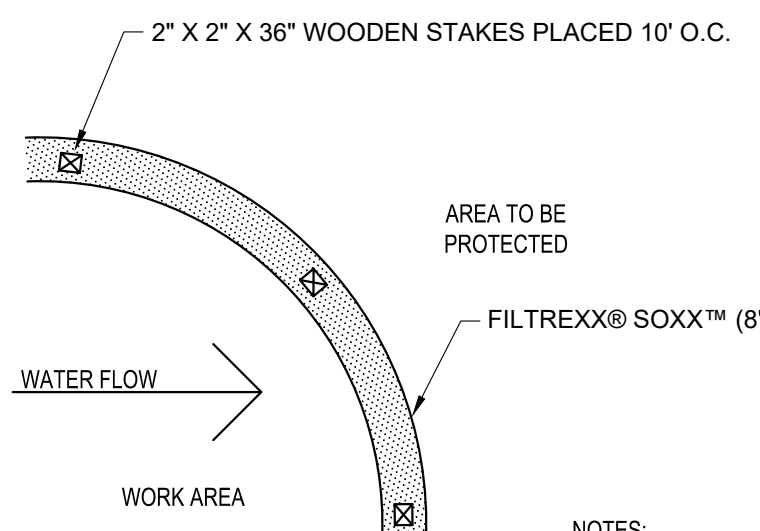
CONTROL STRUCTURE	SIZE	A ELEV	B SIZE	B ELEV	C SIZE	C ELEV	D ELEV
1	3"	455.00	24"x4"	456.00	24"x5"	457.00	458.00



ORIFICE DETAIL
N.T.S.



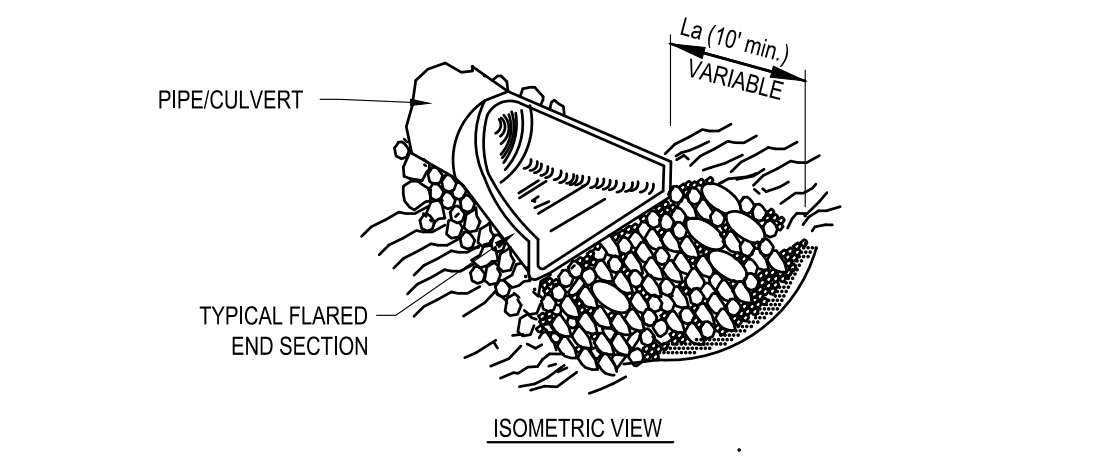
SECTION
N.T.S.



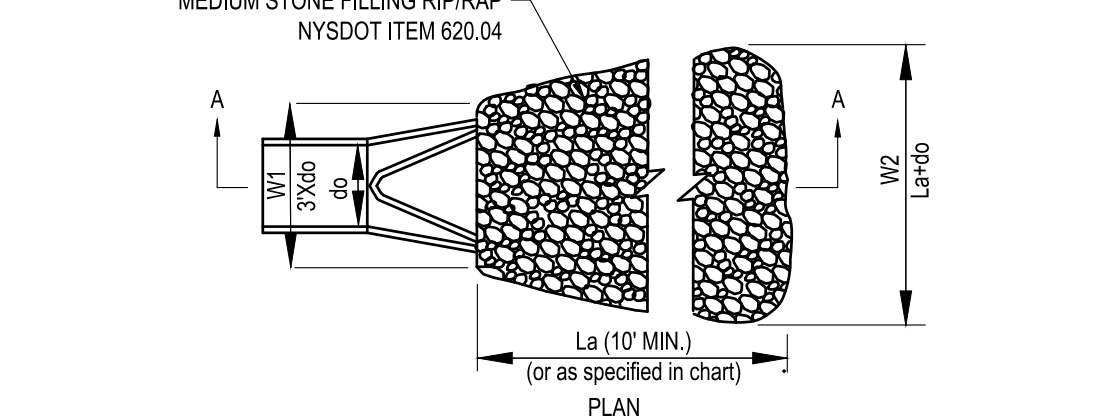
PLAN
N.T.S.

- NOTES:
1. ALL MATERIAL TO MEET FILTREXX® SPECIFICATIONS.
 2. FILTER MEDIA™ FILL TO MEET APPLICATION REQUIREMENTS.
 3. COMPOST MATERIAL TO BE DISPERSED ON SITE, AS DETERMINED BY ENGINEER.
 4. WHEN SEDIMENT CONTROL IS USED ON PAVEMENT, HEAVY CONCRETE BLOCKS SHALL BE USED BEHIND THE SEDIMENT CONTROL TO HELP STABILIZE DURING RAINFALL/RUNOFF EVENTS

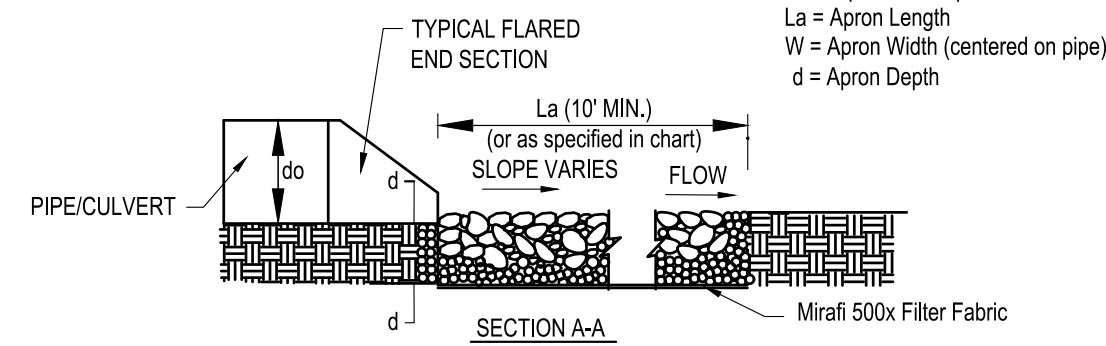
FILTREXX FILTERSOXX SEDIMENT CONTROL
N.T.S.



ISOMETRIC VIEW



PLAN



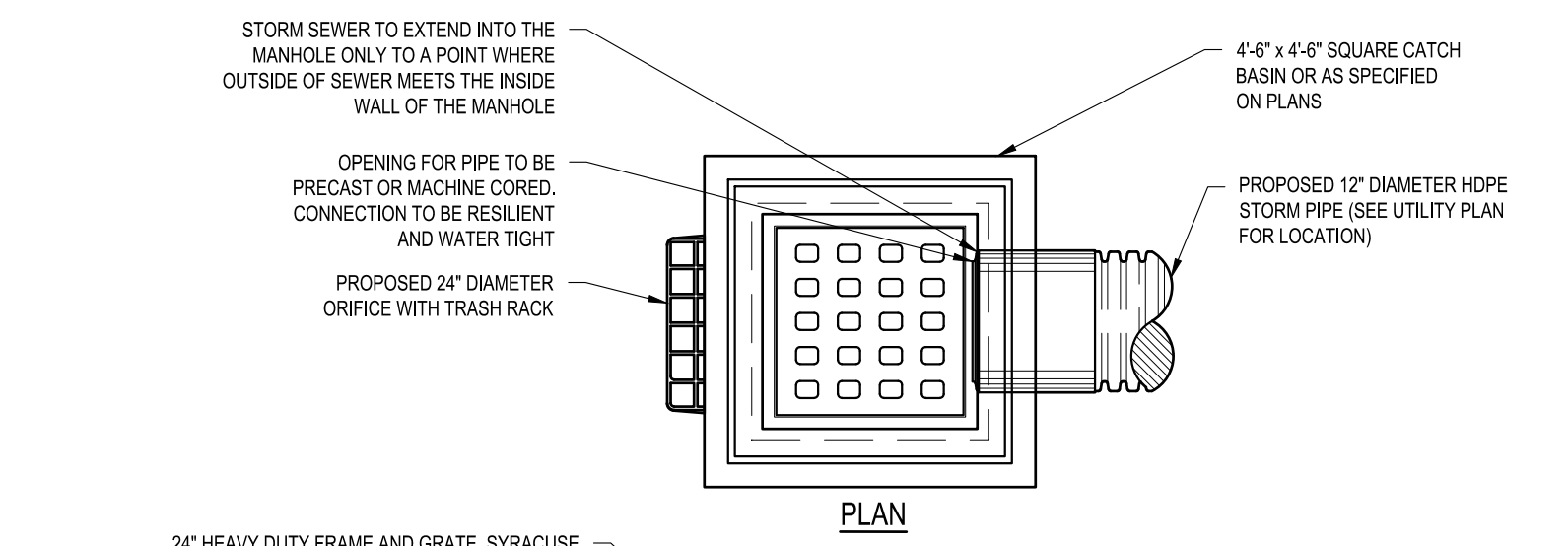
SECTION A-A

NOTE: d = Pipe Dia. see plans
La = Apron Length
W = Apron Width (centered on pipe)
d = Apron Depth

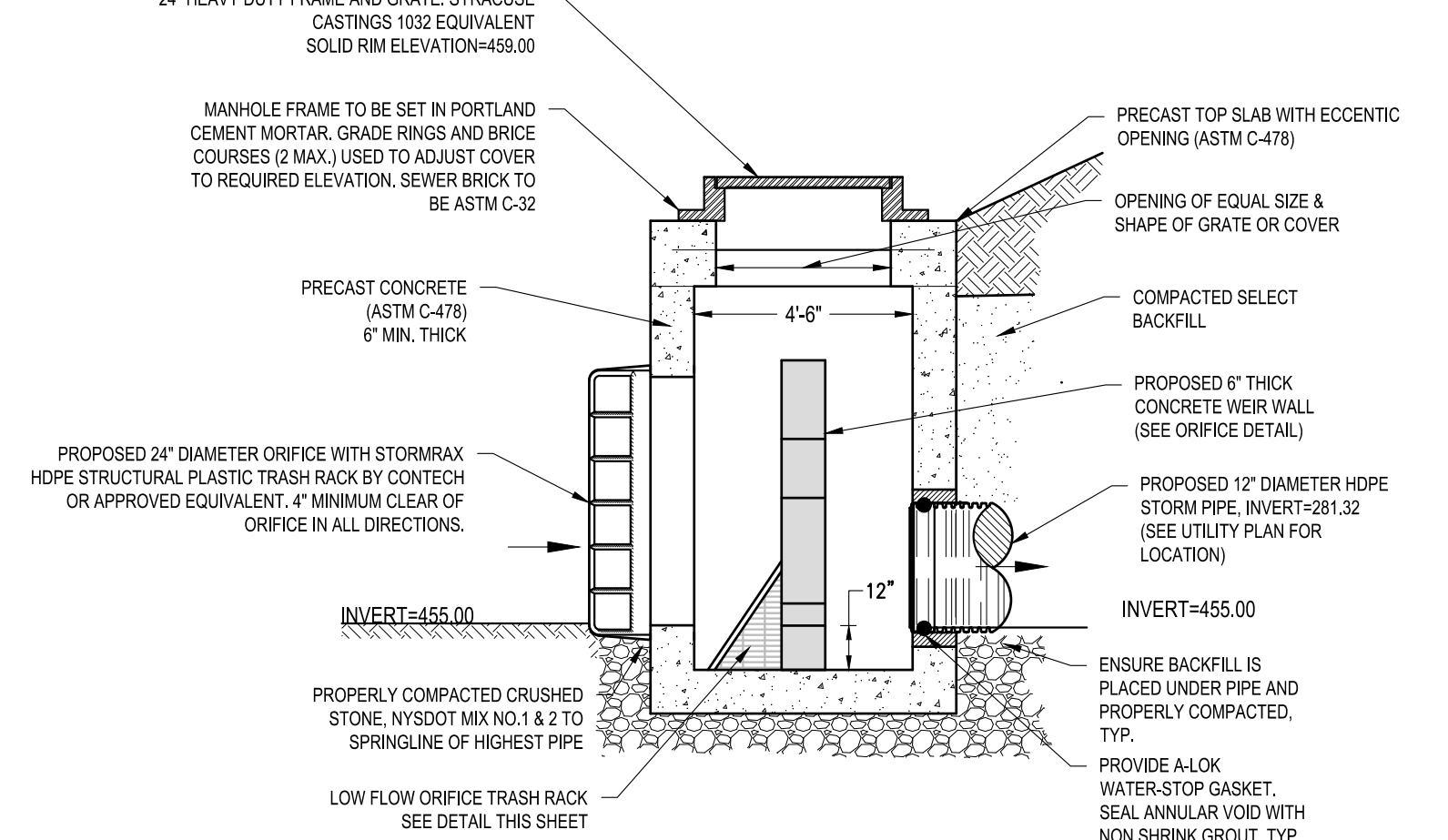
PIPE DIA.	W1-MINIMUM	W2-MINIMUM	La-MINIMUM	D-MINIMUM
12"	3'	15'	14'	13.5"
18"	4.5'	15.5'	14'	13.5"
24"	6'	15'	13'	13.5"

- NOTES:
1. d = 1.5 TIMES THE MAXIMUM STONE DIAMETER BUT NO LESS THAN 6".
 2. INSTALL FILTER MIRAFI 500X OR APPROVED EQUAL FILTER FABRIC BETWEEN RIP-RAP AND SUBGRADE

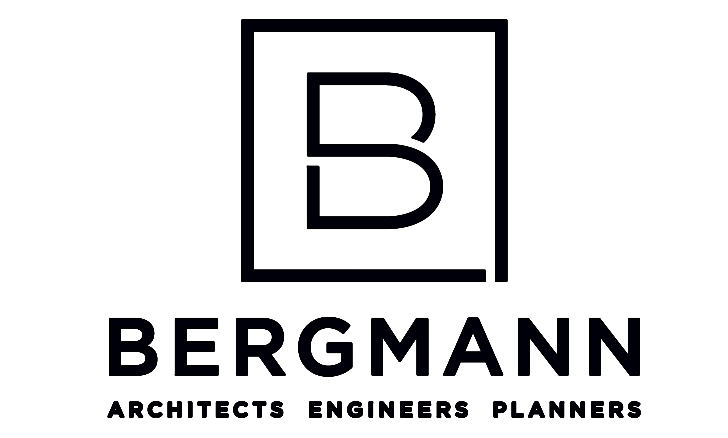
OUTLET PROTECTION RIP-RAP APRON
N.T.S.



PLAN



OUTLET CONTROL STRUCTURE DETAIL
N.T.S.



BERGMANN
ARCHITECTS ENGINEERS PLANNERS

2 Winners Circle, Suite 102
Albany, NY 12205
www.bergmannpc.com
office: 518.862.0325

HILLSIDE SOLAR LLC

227 GUARD HILL ROAD
BEDFORD CORNERS, NY 10549

OLD HILL FARM SOLAR FARM

571 EAST MAIN STREET
JEFFERSON VALLEY, NY 10535

Date Revised	Description
10/13/2021	REVISED PER CLIENT COMMENTS
12/01/2021	REVISED PER TREE COMMISSION COMMENTS
12/28/2021	REVISED PER FIRE DEPARTMENT COMMENTS
1/07/2022	REVISED PER SITE VISIT WITH FIRE DEPARTMENT
1/13/2022	REVISED PER ENGINEERING DEPARTMENT COMMENTS
1/20/2022	REVISED PER TCAC COMMENTS

PRELIMINARY NOT FOR CONSTRUCTION

Copyright © Bergmann Associates, Architects, Engineers, Landscape Architects & Surveyors, D.P.C.

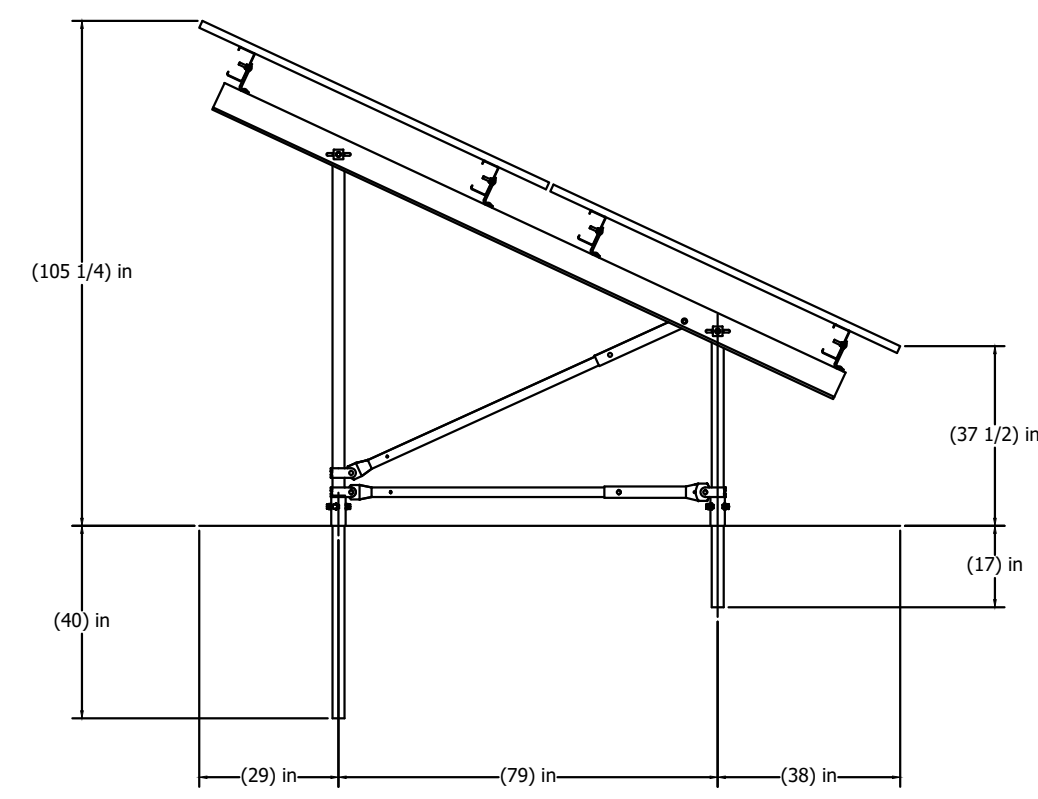
Project Manager	Discipline Lead
ECR	ECR
Designer	Reviewer
AG	WD
Date Issued	Project Number
07/28/2021	14064.11

Sheet Name

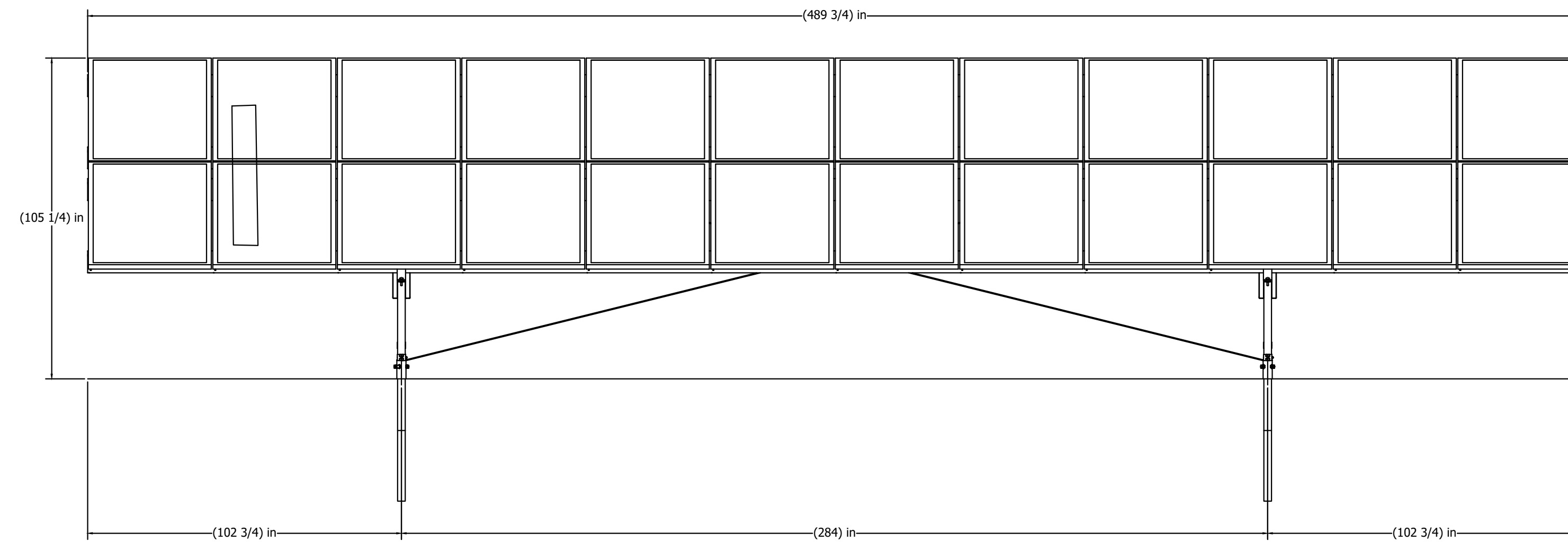
DETAILS I

Drawing Number

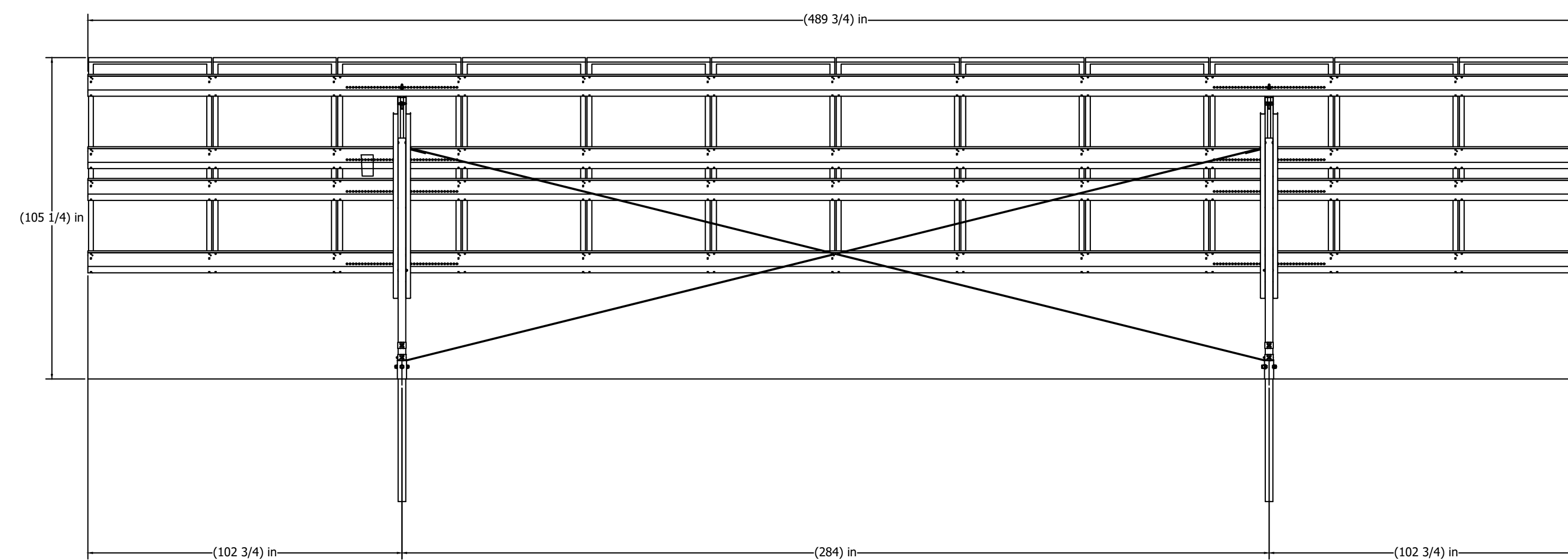
C010



SIDE ELEVATION VIEW



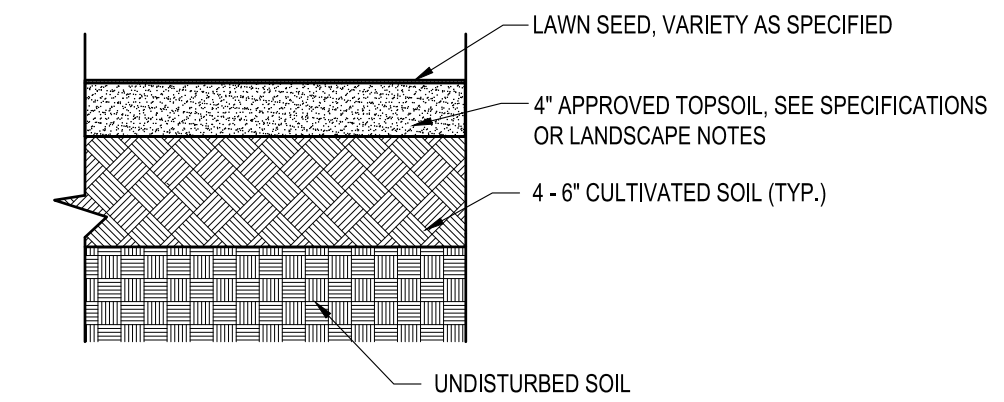
FRONT ELEVATION VIEW



REAR ELEVATION VIEW

- NOTES:
1. TYPICAL INSTALLATION DIMENSIONS MAY BE ADJUSTED TO SUIT FIELD CONDITIONS.
 2. FINAL DESIGN AND ENGINEERING PLANS TO BE PROVIDED BY THE RACKING MANUFACTURER.

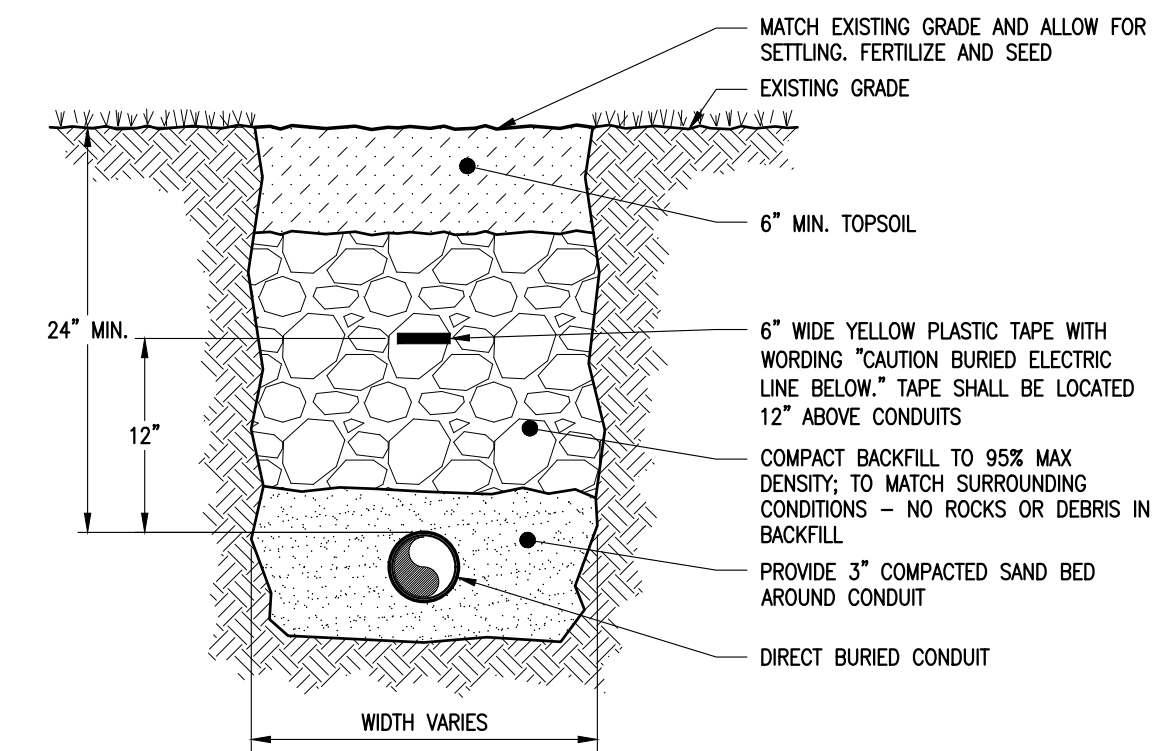
SOLAR ARRAY DETAIL
N.T.S.



SEEDING PROCEDURE:

1. CULTIVATE ENTIRE AREA TO 4'-6" DEPTH. HANDRAKE SMOOTH. SPREAD 4" OF TOPSOIL.
2. APPLY ANY SOIL MODIFICATIONS AS NECESSARY (SEE SPECIFICATIONS OR LANDSCAPE NOTES)
3. WATER AREA TO BE SEEDED PRIOR TO LAYING SEED.
4. WATER THOROUGHLY UPON COMPLETION OF SEEDING.
5. APPLY SOIL STABILIZATION AS NECESSARY.

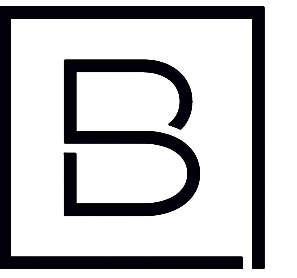
SOIL RESTORATION DETAIL
N.T.S.



NOTES:

1. REPAIR ALL SETTLEMENT
2. MINIMUM TOP SOIL DEPTH 6"
3. MULTIPLE CONDUITS SHALL BE SPACED 7" ON CENTER

DIRECT BURIED CONDUIT TRENCH DETAIL
(IN GRASS)
N.T.S.



BERGMANN
ARCHITECTS ENGINEERS PLANNERS

2 Winners Circle, Suite 102
Albany, NY 12205
www.bergmannpc.com
office: 518.862.0325

HILLSIDE SOLAR LLC

227 GUARD HILL ROAD
BEDFORD CORNERS, NY 10549

**OLD HILL FARM
SOLAR FARM**

571 EAST MAIN STREET
JEFFERSON VALLEY, NY 10535

Date Revised	Description
10/13/2021	REVISED PER CLIENT COMMENTS
12/01/2021	REVISED PER TREE COMMISSION COMMENTS
12/28/2021	REVISED PER FIRE DEPARTMENT COMMENTS
1/07/2022	REVISED PER SITE VISIT WITH FIRE DEPARTMENT
1/13/2022	REVISED PER ENGINEERING DEPARTMENT COMMENTS
1/20/2022	REVISED PER TCAC COMMENTS

PRELIMINARY
NOT FOR CONSTRUCTION

Copyright © Bergmann Associates, Architects, Engineers, Landscape Architects & Surveyors, D.P.C

Project Manager	Discipline Lead
ECR	ECR
Designer	Reviewer
AG	WD
Date Issued	Project Number
07/28/2021	14064.11

Sheet Name

DETAILS II

Drawing Number

C011

UPLAND SEED MIX		
LOW-GROWING WILDFLOWER & GRASS MIX - ERNMX #156		
SEEDING RATE: 20 LB PER ACRE WITH A COVER CROP OF GRAIN RYE AT 30 LB PER ACRE		
SCIENTIFIC NAME	COMMON NAME	% OF MIX
FESTUCA OVINA	SHEEP FESCUE, VARIETY NOT STATED	63.60%
LOLIUM MULTIFLORUM (L. PERENNE VAR. ITALICUM)	ANNUAL RYEGRASS	17%
LINUM PERENNE SSP. LEWISII	PERENNIAL BLUE FLAX	8%
RUDBECKIA HIRTA	BLACKEYED SUSAN, COASTAL PLAIN NC ECOTYPE	2%
COREOPSIS LANCEOLATA	LANCELEAF COREOPSIS, COASTAL PLAIN NC ECOTYPE	2%
CHRYSANTHEMUM LEUCANTHEMUM	OXEYE DAISY	2%
CHRYSANTHEMUM MAXIMUM	SHASTA DAISY	1%
CHAMAECRISTA FASCICULATA (CASSIA F.)	PARTRIDGE PEA, PA ECOTYPE	1%
PAPAVER RHOEAS, SHIRLEY MIX	CORN POPPY/SHIRLEY MIX	1%
ACHILLEA MILLEFOLIUM	COMMON YARROW	0.5%
ASTER OBLONGIFOLIUS (SYMPHYOTRICHUM OBLONGIFOLIUM)	AROMATIC ASTER, PA ECOTYPE	0.5%
EUPATORIUM COELESTINUM (CONOCLINIUM C.)	MISTFLOWER, VA ECOTYPE	0.5%
MONARDA PUNCTATA, COASTAL PLAIN SC ECOTYPE	SPOTTED BEEBALM, COASTAL PLAIN SC ECOTYPE	0.5%
ASCLEPIAS TUBEROSA	BUTTERFLY MILKWEED	0.3%
PYCNANTHEMUM TENUIFOLIUM	SLENDER MOUNTAINMINT	0.1%
COMPANY INFORMATION		
ERNST CONSERVATION SEEDS, INC.		
ADDRESS: 8884 MERCER PIKE, MEADVILLE, PA 16335		
PHONE: (800) 873-3321		
WEB: HTTP://WWW.ERNSTSEED.COM		

*OR APPROVED EQUIVALENT

SEED SCHEDULE 'A'

OBL-FACW WETLAND MIX		
ERNMX #120		
SEEDING RATE: 20 LB PER ACRE OR 1/2 LB PER 1000 SQ FT		
SCIENTIFIC NAME	COMMON NAME	% OF MIX
ELYMUS VIRGINICUS	VIRGINIA WILD RYE	20%
POA PALUSTRIS	FOWL BLUEGRASS	20%
CAREX LURIDA	LURID SHALLOW SEDGE	17%
CAREX LUPULINA	HOP SEDGE	9%
CAREX SCOPARIA	BLUNT BROOM SEDGE	8%
CAREX VULPINOIDEA	FOX SEDGE	5%
PANICUM CLANDESTINUM DICHANTHELIUM C.	DEERTONGUE 'TIOGA'	5%
SPARGANIUM EURYCARPUM	GIANT BUR REED	4%
SPARGANIUM AMERICANUM	EASTERN BUR REED	3%
JUNCUS EFFUSUS	SOFT RUSH	3%
CAREX CRINITA	FRINGED NODDING SEDGE	2%
LEERSIA ORYZOIDES	RICE CUTGRASS	2%
SCIRPUS CYPERINUS	WOOLGRASS	2%
JUNCUS TENUIS	PATH RUSH	0.5%
COMPANY INFORMATION		
ERNST CONSERVATION SEEDS INC.		
ADDRESS: 8884 MERCER PIKE MEADVILLE PA 16335		
PHONE: 800 873-3321		
WEB: HTTP://WWW.ERNSTSEED.COM		

- * CURRENT ERNST SEED MIX COMPOSITION OR APPROVED EQUIVALENT
- * PROVIDE TEMPORARY SEEDING OF ANNUAL RYEGRASS (LOLIUM MULTIFLORUM) WITHIN SEEDING LIMITS AT RATE OF 20 LBS. PER ACRE

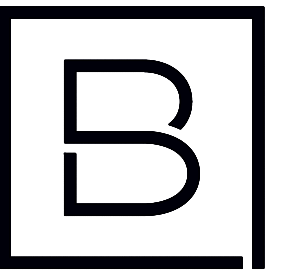
SITE STABILIZATION - SEED MIX

N.T.S.

SOIL AMENDMENT APPLICATION RATE EQUIVALENTS					
SOIL AMENDMENT	PER ACRE	PER 1,000 SQ. FT.	PER 1,000 SQ. YD.	NOTES	
TEMPORARY SEEDING	AGRICULTURAL LIME	6 TONS	240 LB.	2,480 LB.	OR AS PER SOIL TEST: MAY NOT BE REQUIRED IN AGRICULTURAL FIELDS
	10-10-20 FERTILIZER	1,000 L.B.	25 LB.	210 LB.	
TEMPORARY SEEDING	AGRICULTURAL LIME	1 TON	40 LB.	410 LB.	TYPICALLY NOT REQUIRED FOR TOPSOIL STOCKPILES
	10-10-20 FERTILIZER	500 LB.	12.5 LB.	100 LB.	
COMPOST STANDARDS					
ORGANIC MATTER CONTENT		80% - 100% (DRY WEIGHT BASIS)			
ORGANIC PORTION		FIBROUS AND ELONGATED			
pH		5.5 - 8.0			
MOISTURE CONTENT		35% - 55%			
PARTICLE SIZE		98% PASS THROUGH 1" SCREEN			
SOLUBLE SALT CONCENTRATION		5.0 dS/m (mmhos/cm) MAXIMUM			
MULCH APPLICATION RATES					
MULCH TYPE	APPLICATION RATE (MIN.)			NOTES	
	PER ACRE	PER 1,000 SQ. FT.	PER 1,000 SQ. YD.		
STRAW	3 TONS	140 LB.	1,240 LB.	EITHER WHEAT OR OAT STRAW, FREE OF WEEDS, NOT CHOPPED OR FINELY BROKEN	
HAY	3 TONS	140 LB.	1,240 LB.	TIMOTHY, MIXED CLOVER AND TIMOTHY, OR OTHER NATIVE FORAGE GRASSES	
WOOD CELLULOSE	1,500 LB.	35 LB.	310 LB.	DO NOT USE ALONE IN WINTER, DURING HOT AND DRY WEATHER OR ON STEEP SLOPES (> 3:1)	
WOOD	1,000 LB. CELLULOSE	25 LB.	210 LB.	WHEN USED OVER STRAW OR HAY	
WOOD CHIPS	4 - 6 TONS	185 - 275 LB.	1,650 - 2,500 LB.	MAY PREVENT GERMINATION OF GRASSES AND LEGUMES	

NOTES:

- WHEN FINAL GRADE IS ACHIEVED DURING NON-GERMINATING MONTHS, THE AREA SHOULD BE TEMPORARILY STABILIZED UNTIL THE BEGINNING OF THE NEXT PLANTING SEASON.
- MULCHES SHOULD BE APPLIED AT THE RATES SHOWN IN THE MULCH APPLICATION RATES TABLE. VERY LITTLE BARE GROUND SHOULD BE VISIBLE THROUGH THE MULCH.
- STRAW AND HAY MULCH SHOULD BE ANCHORED OR TACKIFIED IMMEDIATELY AFTER APPLICATION TO PREVENT BEING WINDBLOWN.
- TOPSOIL SHOULD BE UNIFORMLY DISTRIBUTED ACROSS THE DISTURBED AREA TO A DEPTH OF 4 INCHES MINIMUM. SPREADING SHOULD BE DONE IN SUCH A MANNER THAT SEEDING CAN PROCEED WITH A MINIMUM OF ADDITIONAL PREPARATION OR TILLAGE.
- TOPSOIL SHOULD NOT BE PLACED WHILE THE TOPSOIL OF SUBSOIL IS IN A FROZEN OR MUDDY CONDITION, WHEN THE SUBSOIL IS EXCESSIVELY WET, OR IN A CONDITION THAT MAY OTHERWISE BE DETRIMENTAL TO PROPER GRADING AND SEEDBED PREPARATION.
- WHEN USED AS A MULCH REPLACEMENT, THE APPLICATION RATE (THICKNESS) OF THE COMPOST SHOULD BE 1/2" TO 3/4". COMPOST SHOULD BE PLACED EVENLY AND SHOULD PROVIDE 100% SOIL COVERAGE. NO SOIL SHOULD BE VISIBLE.
- BLANKETING SHALL BE USED ON ALL SLOPES 3H:1V OR STEEPER OR AS NOTED ON THE PLANS.
- PERMANENT STABILIZATION SHALL BE INSTALLED IMMEDIATELY UPON COMPLETION OF EARTH DISTURBANCE.



BERGMANN
ARCHITECTS ENGINEERS PLANNERS

2 Winners Circle, Suite 102
Albany, NY 12205
www.bergmannpc.com
office: 518.862.0325

HILLSIDE SOLAR LLC

227 GUARD HILL ROAD
BEDFORD CORNERS, NY 10549

**OLD HILL FARM
SOLAR FARM**

571 EAST MAIN STREET
JEFFERSON VALLEY, NY 10535

Date Revised	Description
10/13/2021	REVISED PER CLIENT COMMENTS
12/01/2021	REVISED PER TREE COMMISSION COMMENTS
12/28/2021	REVISED PER FIRE DEPARTMENT COMMENTS
1/07/2022	REVISED PER SITE VISIT WITH FIRE DEPARTMENT
1/13/2022	REVISED PER ENGINEERING DEPARTMENT COMMENTS
1/20/2022	REVISED PER TCAC COMMENTS

PRELIMINARY
NOT FOR CONSTRUCTION

Copyright © Bergmann Associates, Architects, Engineers, Landscape Architects & Surveyors, D.P.C

Project Manager ECR	Discipline Lead ECR
Designer AG	Reviewer WD
Date Issued 07/28/2021	Project Number 14064.11

Sheet Name

DETAILS III

Drawing Number

C012