

red leonard associates

1340 KEMPER MEADOW DR.
FOREST PARK, OH 45240
513-574-9500

RL-5264-S1

03/13/18

CPD

2035 SAW MILL RIVER RD.
YORKTOWN HEIGHTS, NY



EXTERIOR
LIGHTING LAYOUT

CHANGING THE INDUSTRY STANDARD USING YOUR INTERACTIVE SITE PLAN



TO USE THE INTERACTIVE FEATURES OF THIS PLAN, MAKE SURE YOU ARE VIEWING IT IN ADOBE READER.

IF YOU DO NOT HAVE ADOBE READER INSTALLED ON YOUR SYSTEM, IT IS AVAILABLE FOR DOWNLOAD AT THE FOLLOWING LINK:
[HTTPS://GET.ADOBE.COM/READER/](https://get.adobe.com/reader/)



TO USE QR CODES, YOU CAN CLICK ON YOUR SCREEN OR SCAN WITH YOUR SMARTPHONE.

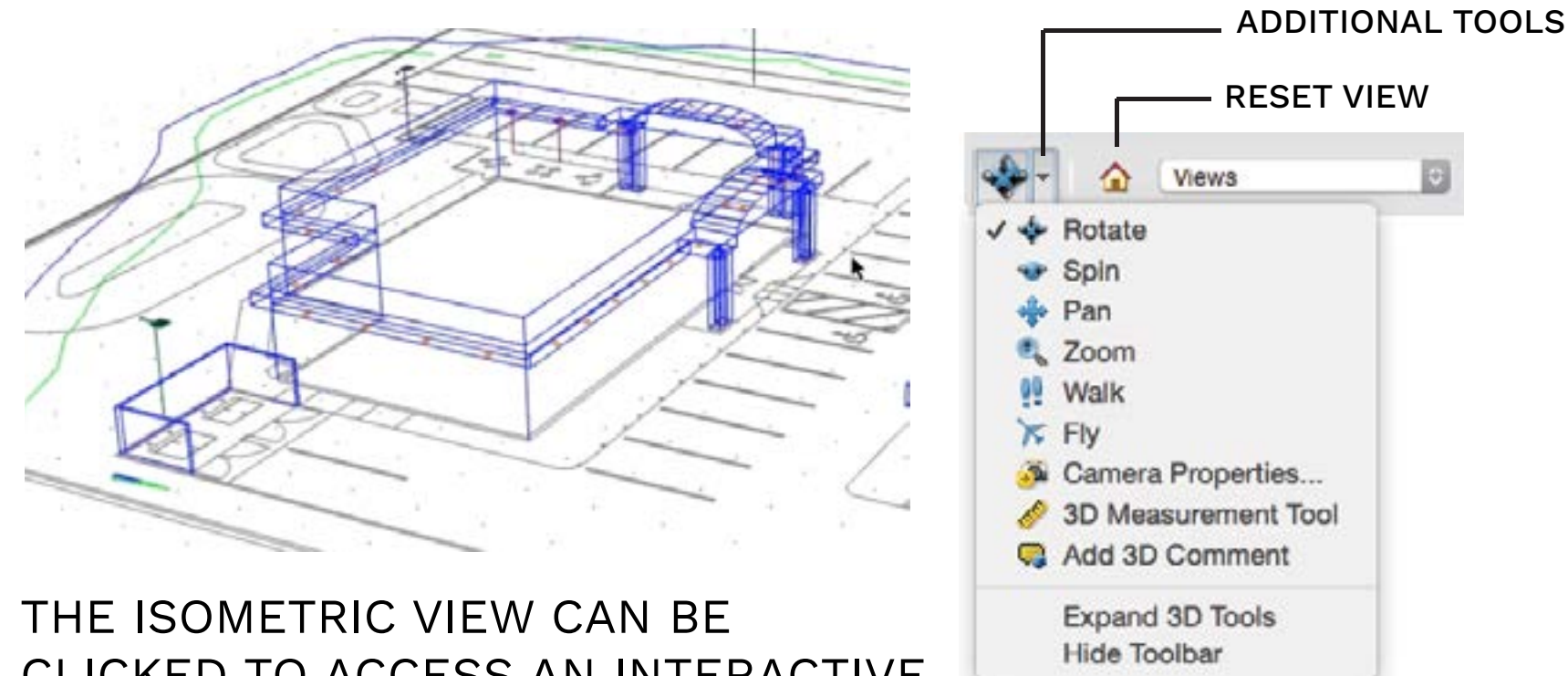
QR SCANNERS ARE AVAILABLE BY VISITING [REDLEONARD.COM](http://redleonard.com) OR YOUR APP STORE.

HOW TO USE YOUR INTERACTIVE SITE PLAN



CLICK OR SCAN FOR INSTRUCTIONS

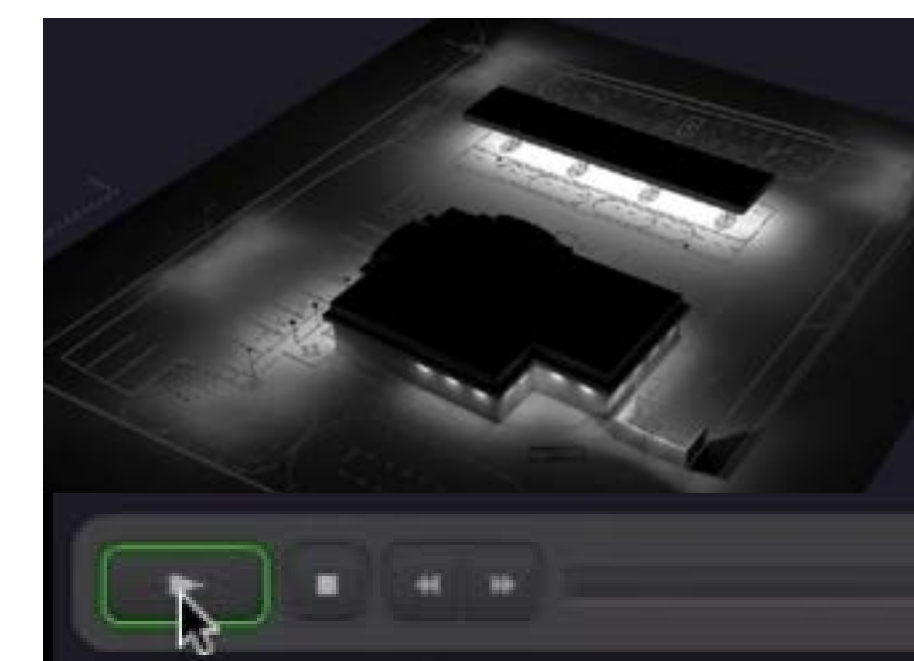
INTERACTIVE PLAN MODEL



THE ISOMETRIC VIEW CAN BE CLICKED TO ACCESS AN INTERACTIVE 3D VERSION OF THE SITE PLAN.

RIGHT-CLICK AND CHOOSE “DISABLE CONTENT” TO RETURN TO THE ISOMETRIC PLAN VIEW.

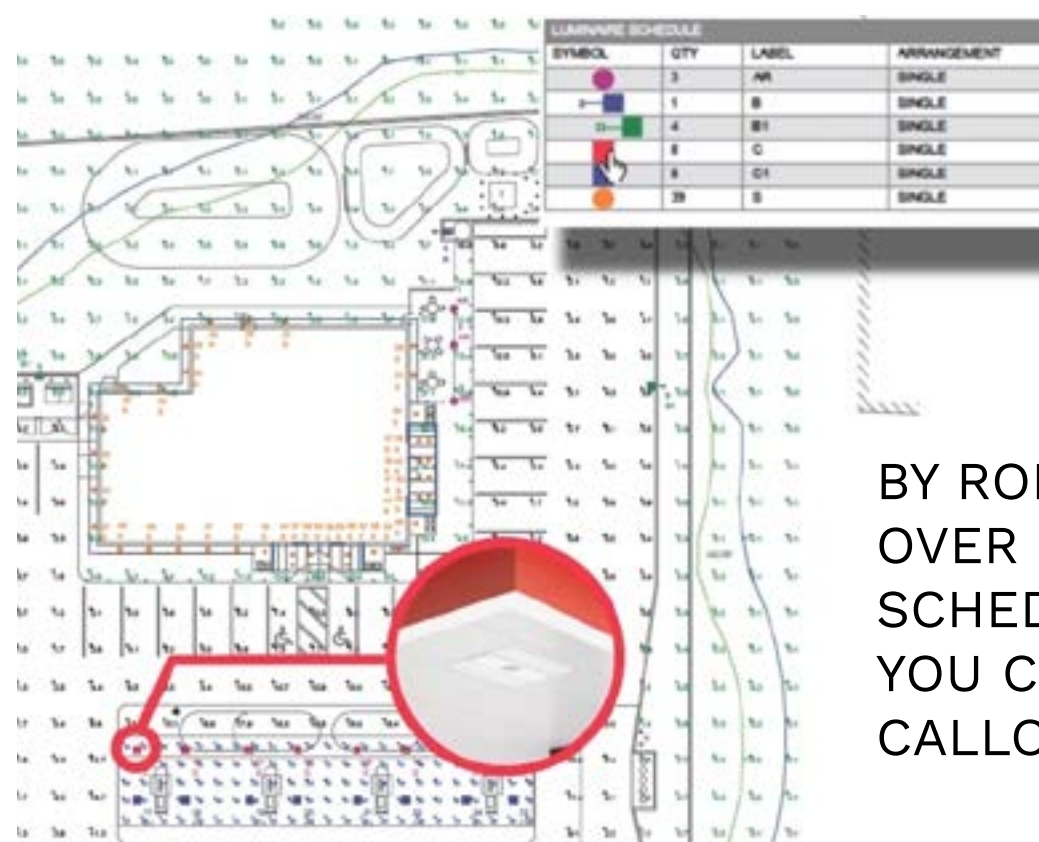
SITE VIDEO



CLICKING THE BLACK AND WHITE SITE IMAGE PLAYS A VIDEO THAT PANS AROUND THE ENTIRE SITE. YOU CAN PAUSE THE VIDEO AT ANY TIME FOR A BETTER LOOK.

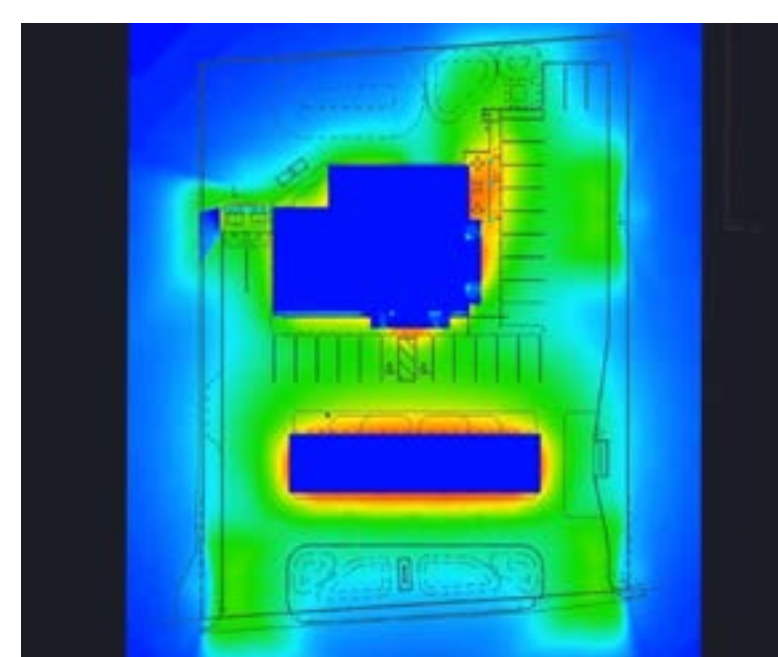
RIGHT-CLICK AND CHOOSE “DISABLE CONTENT” TO RETURN TO THE DEFAULT IMAGE.

FIXTURE CALLOUTS



BY ROLLING YOUR CURSOR OVER SYMBOLS IN THE SCHEDULE, YOU CAN VIEW VISUAL CALLOUTS OF EACH FIXTURE.

PSEUDO COLOR VIEWS



THE PSEUDO COLOR VIEWS CAN BE CLICKED TO ACCESS A SLIDESHOW WHERE YOU CAN PAN BETWEEN IMAGES FOR COMPARISON USING THE ARROWS.

RIGHT-CLICK AND CHOOSE “DISABLE CONTENT” TO RETURN TO THE PSEUDO COLOR PLAN VIEWS.

ADDITIONAL INFORMATION



SPEC SHEET

DIMMING AND ACCESSORIES

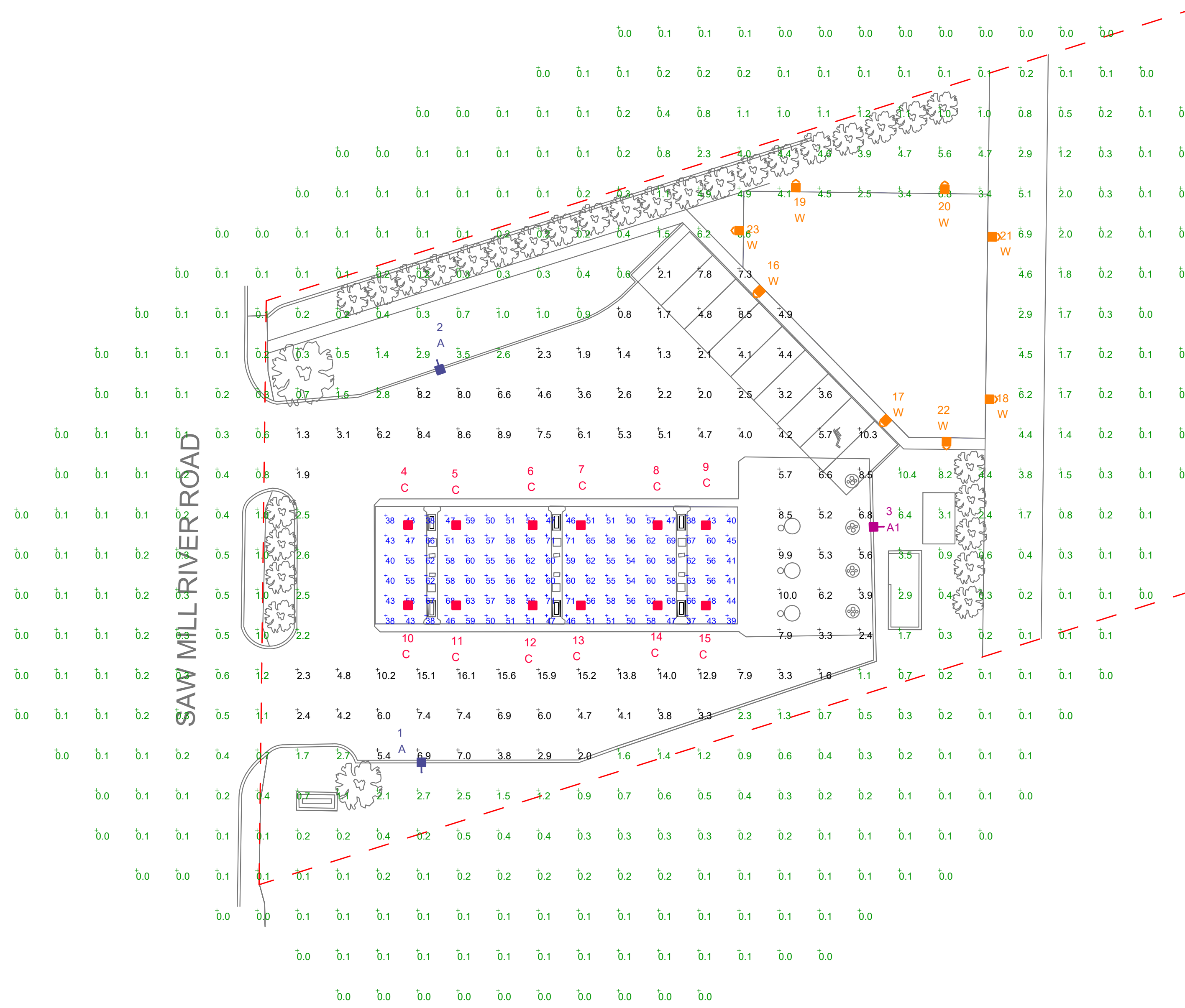
INSTALLATION INSTRUCTIONS

AREA

SYMBOL	QTY	LABEL
1	6	A3
2	2	A32@180
3	1	A32@90

STR-LWY-SME-HT-2-F-UL-WH-A-57K

ADDITIONAL INFORMATION FOR EACH FIXTURE IS AVAILABLE BY CLICKING OR SCANNING THE QR CODE ABOVE THE SPECIFICATION SHEETS. ONCE ON THE PRODUCT PAGE, YOU CAN FIND INDIVIDUAL SPEC SHEETS, DIMMING OPTIONS, ACCESSORIES AND ANY AVAILABLE INSTALLATION INSTRUCTIONS BY NAVIGATING TO THE “DOCUMENTATION” TAB.

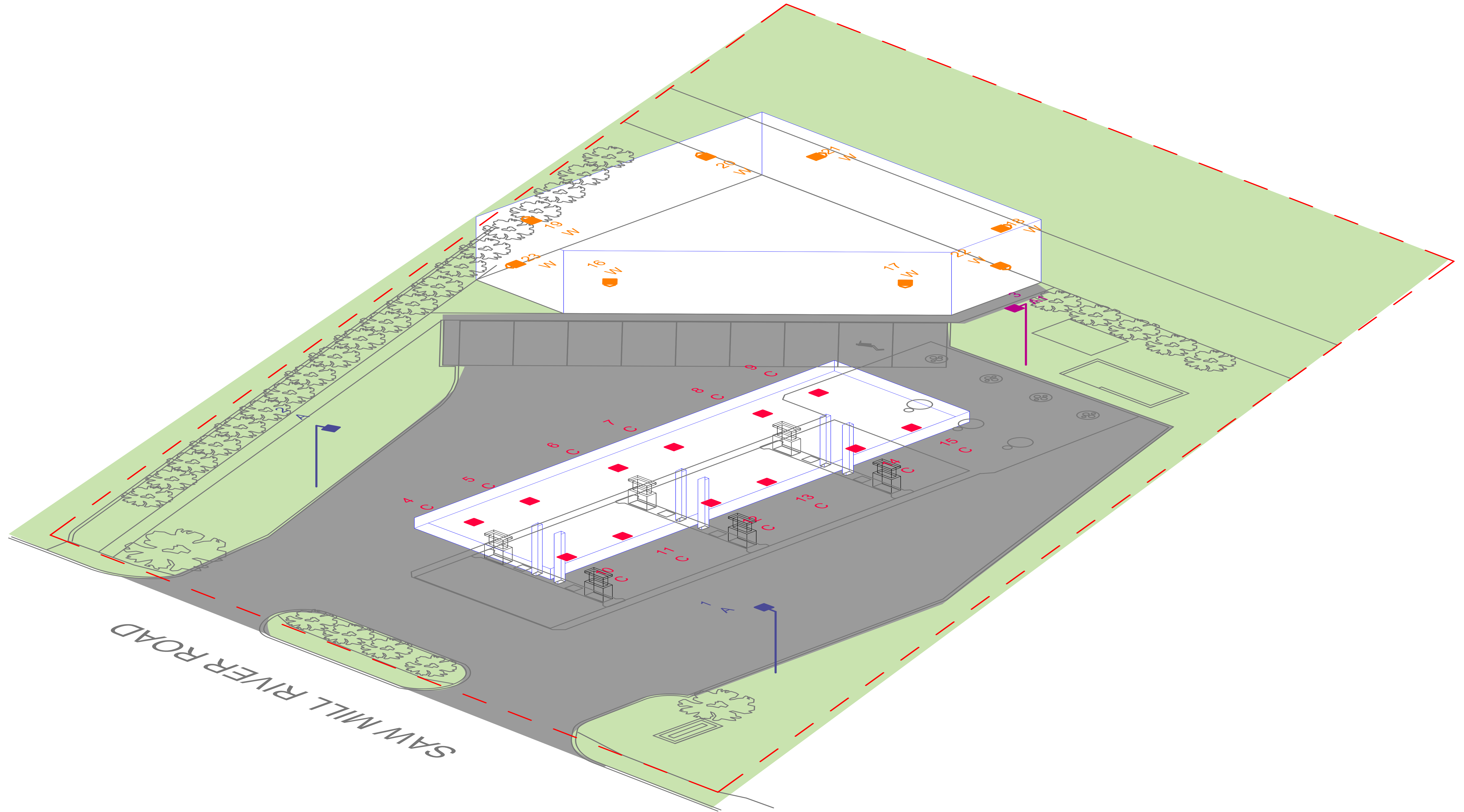
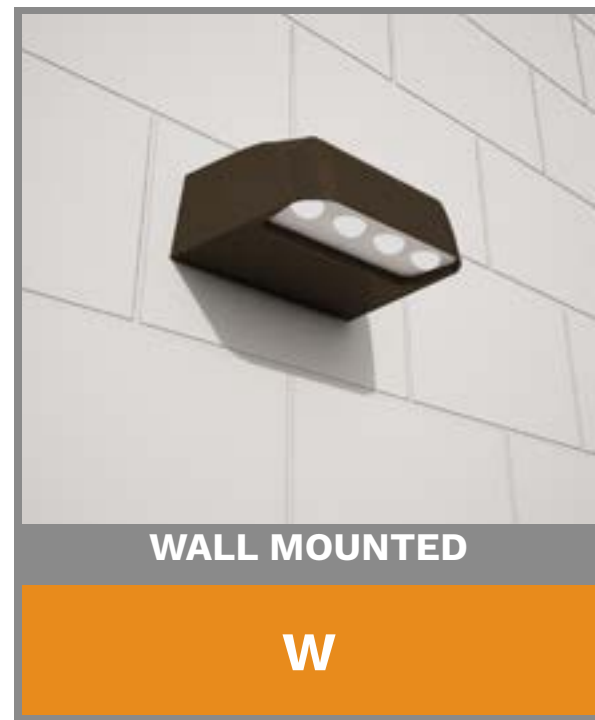


NOTE:
 AREA LIGHTS ON 15 FT. POLES MOUNTED ON 30 IN. HIGH CONCRETE BASES

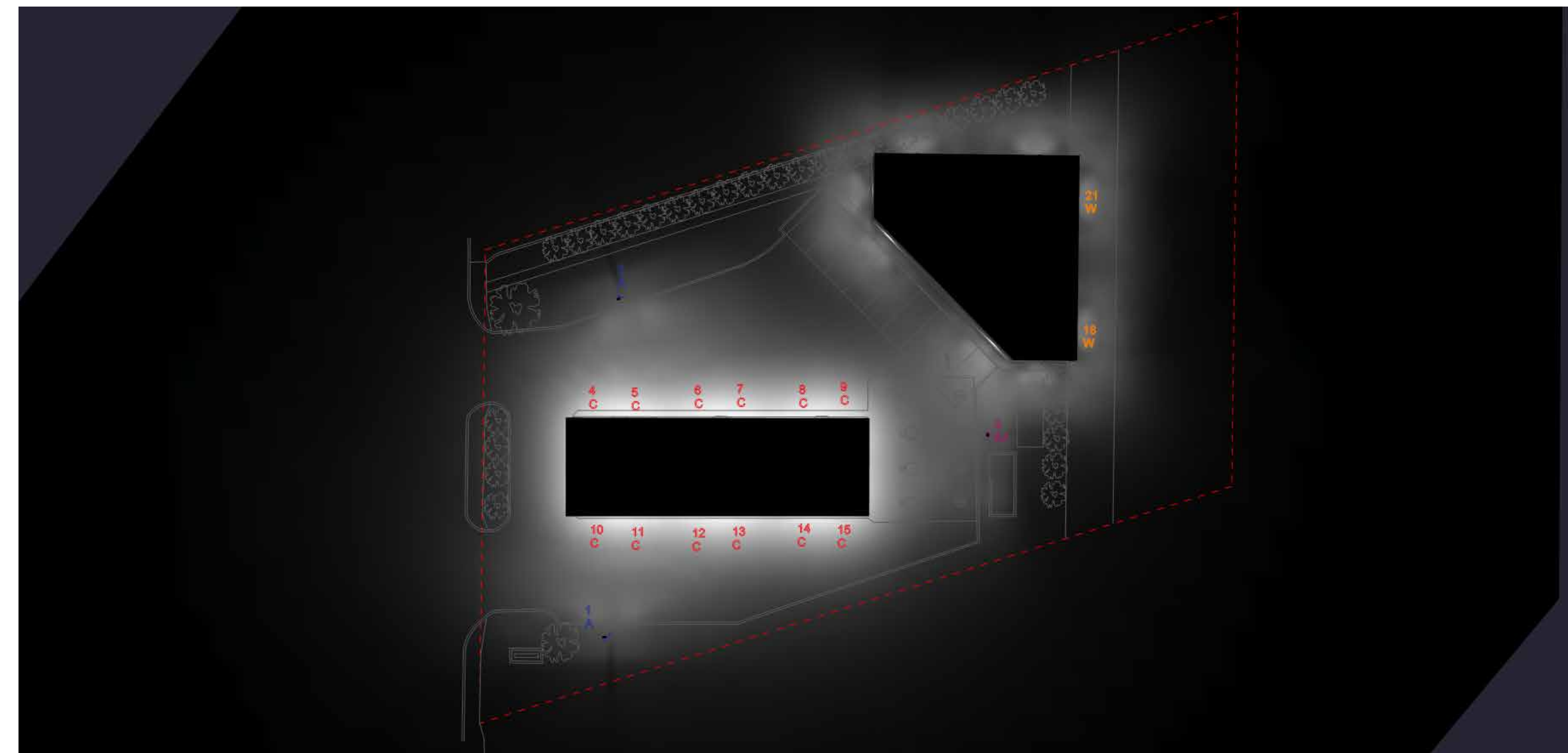
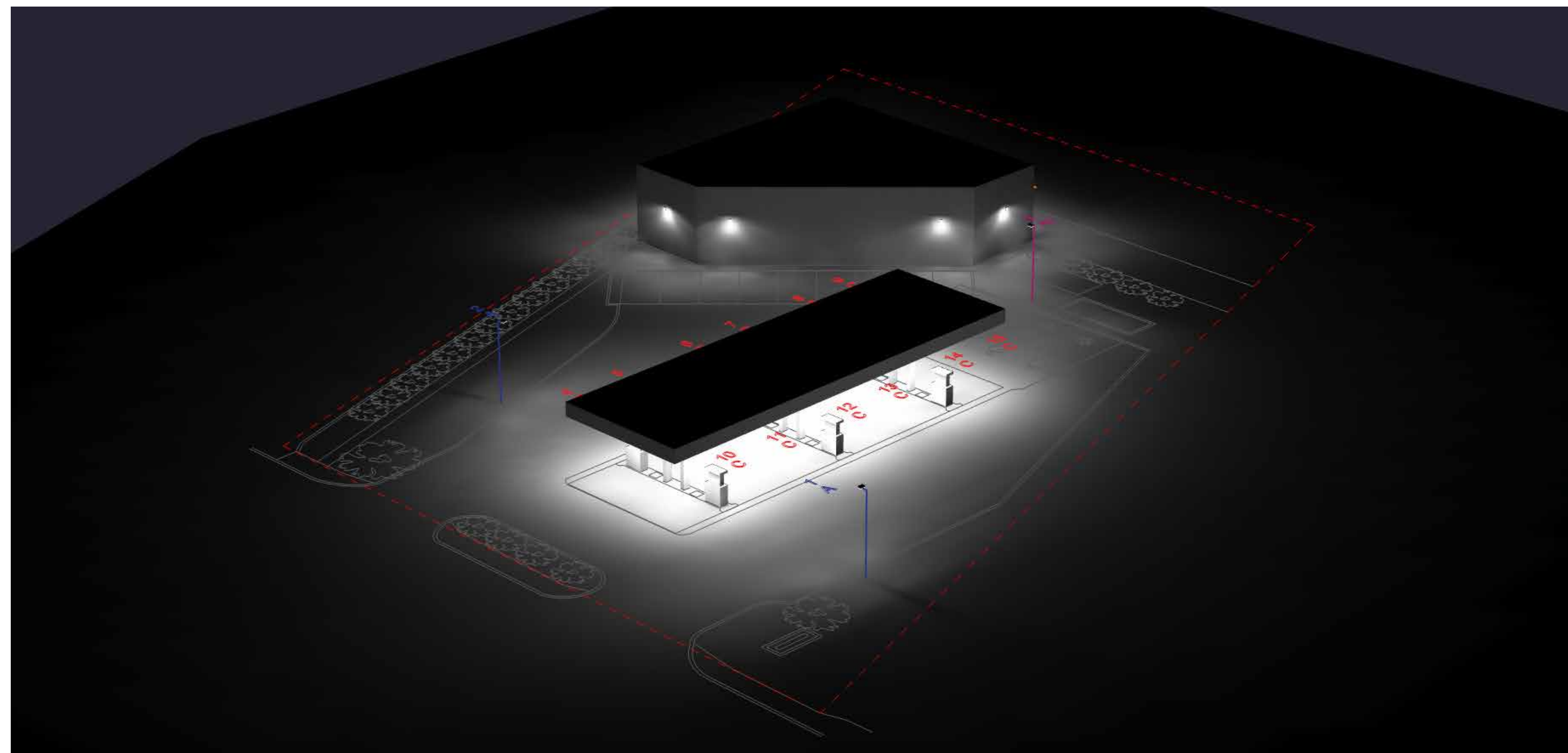
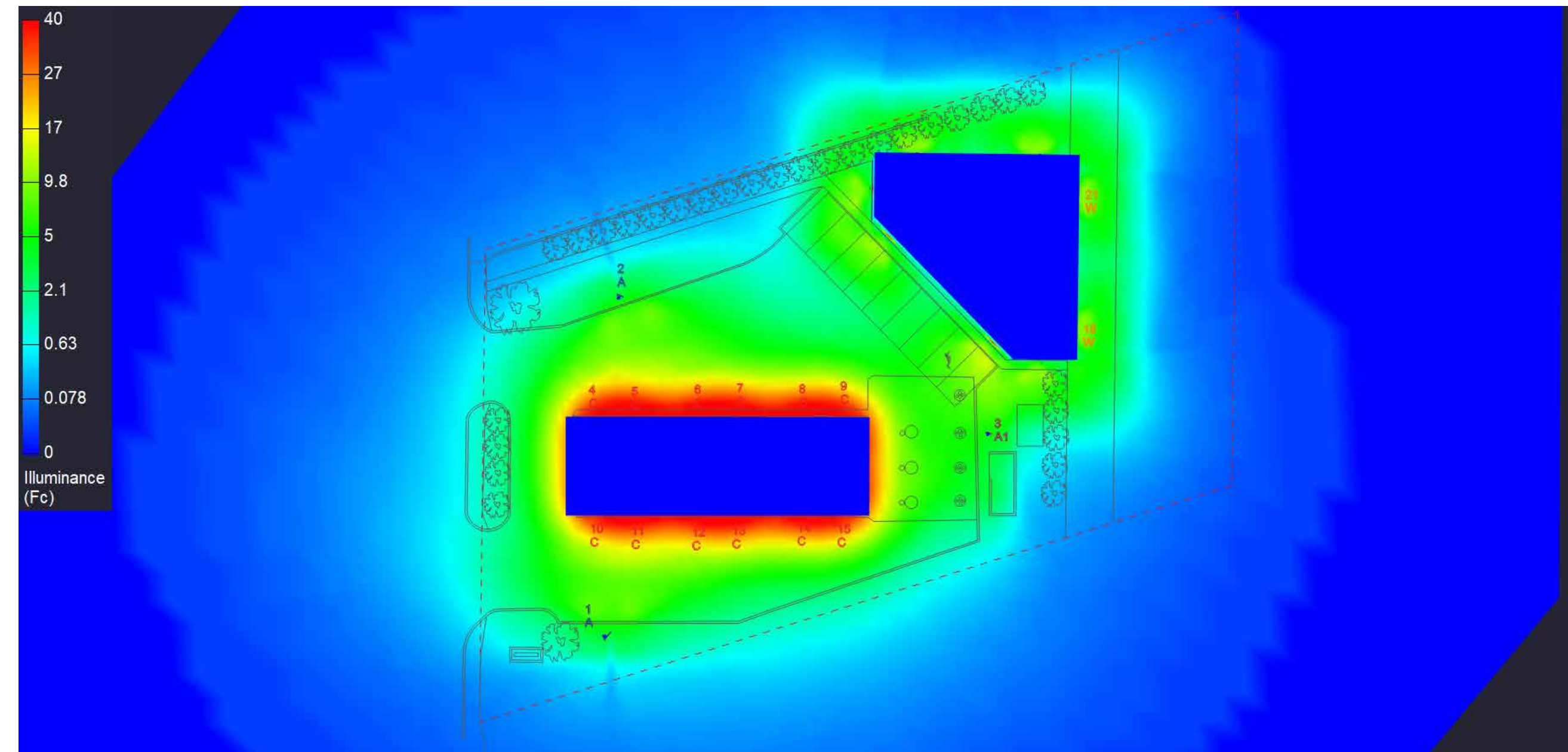
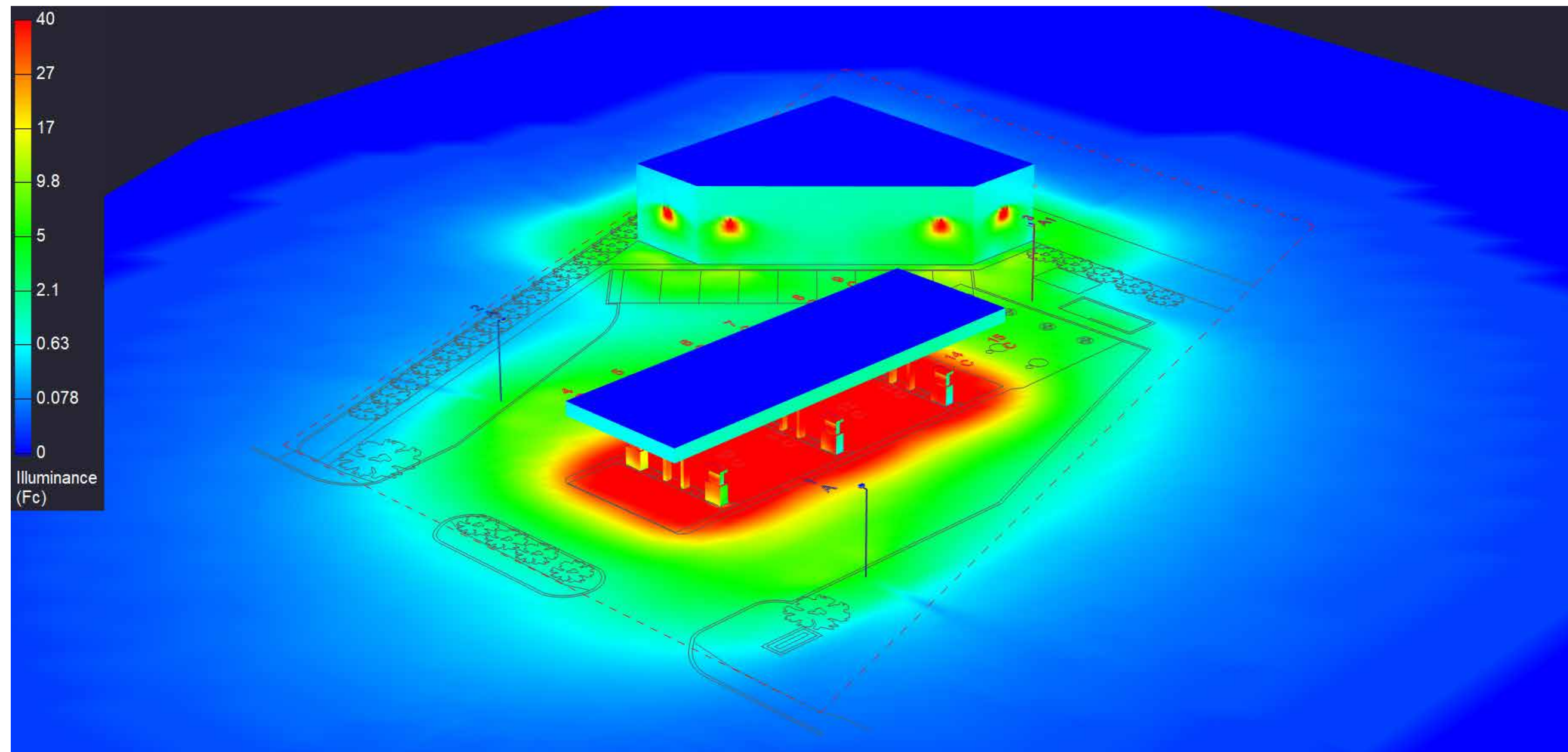
FOOTCANDLE LEVELS CALCULATED AT GRADE USING INITIAL LUMEN VALUES					
LABEL	AVG	MAX	MIN	AVG/MIN	MAX/MIN
PAVED AREA	5.94	16.1	0.8	7.43	20.13
UNDEFINED	0.74	10.4	0.0	N.A.	N.A.
UNDER CANOPY	54.34	71	37	1.47	1.92

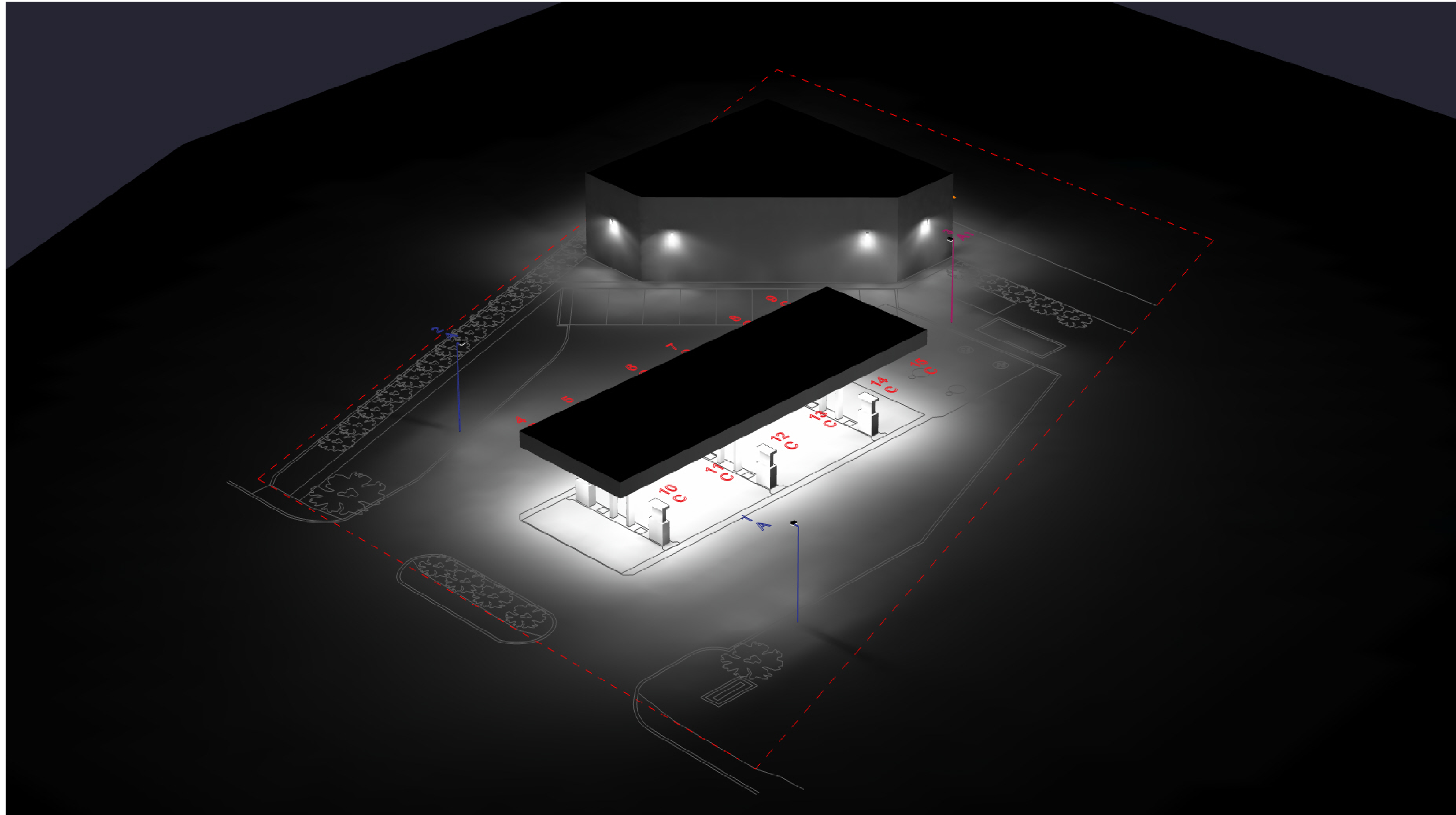
LUMINAIRE LOCATION SUMMARY		
LUM NO.	LABEL	MTG. HT.
1	A	17.5
2	A	17.5
3	A1	17.5
4	C	14
5	C	14
6	C	14
7	C	14
8	C	14
9	C	14
10	C	14
11	C	14
12	C	14
13	C	14
14	C	14
15	C	14
16	W	10
17	W	10
18	W	10
19	W	10
20	W	10
21	W	10
22	W	10
23	W	10

LUMINAIRE SCHEDULE										
SYMBOL	QTY	LABEL	ARRANGEMENT	LUMENS	LLF	BUG RATING	WATTS/LUMINAIRE	TOTAL WATTS	MANUFACTURER	DESCRIPTION
	2	A	SINGLE	9196	1.000	B1-U0-G2	86	172	Cree Inc	OSQ-XX + OSQ-A-NM-3ME-B-57K-UL-XX + OSQ-BLSMF
	1	A1	SINGLE	8950	1.000	B1-U0-G2	86	86	Cree Inc	OSQ-XX + OSQ-A-NM-4ME-B-57K-UL-XX + OSQ-BLSMF
	12	C	SINGLE	20332	1.000	B4-U0-G1	145.15	1741.8	Cree Inc	CPY250-B-DM-F-E-UL-XX-57K
	8	W	SINGLE	4031	1.000	B1-U0-G1	42.96	343.68	Cree Inc	XSPWA03MC-UX



CLICK OR SCAN HERE FOR EXTERIOR OPTIONS





AR

Table with columns SYMBOL, QTY, LABEL. Values: 2, A.

OSQ-XX + OSQ-A-NM-3ME-B-57K-UL-XX + OSQ-BLSMF

Table with columns SYMBOL, QTY, LABEL. Values: 1, A1.

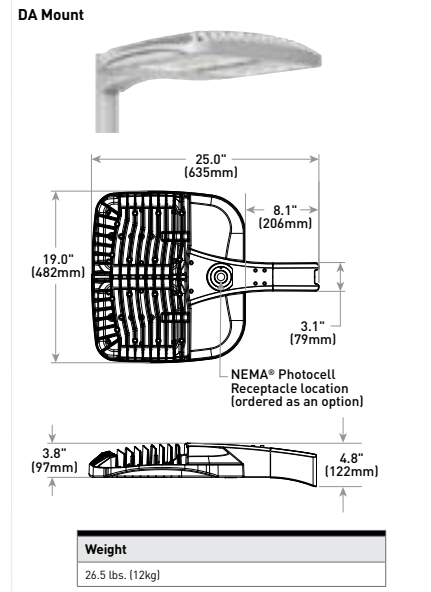
OSQ-XX + OSQ-A-NM-4ME-B-57K-UL-XX + OSQ-BLSMF

OSQ Series

OSQ™ LED Area/Flood Luminaire - Medium

Product Description
The OSQ™ Area/Flood luminaire blends extreme optical control, advanced thermal management and modern, clean aesthetics.

Performance Summary
NanoOptic® Precision Delivery Grid™ optic
Assembled in the U.S.A. of U.S. and imported parts
Initial Delivered Lumens: Up to 17,291



Accessories
Beam-Shift Shield
IP68-Ready Optics
IP68-Ready Optics

Ordering Information
Fully assembled luminaire is composed of two components that must be ordered separately.
Example: Mezz OSQ-A-NM-3ME-B-57K-UL-XX + OSQ-BLSMF

Luminaire Mount must be ordered separately table with columns Product, Version, Mounting, Optic, Input Power Designator, CCT, Color Options, Options.

UL, DLC, NSF, ENEC, CE, RoHS, CREE logo and contact information.

CANOPY

Table with columns SYMBOL, QTY, LABEL. Values: 12, C.

CPY250-B-DM-F-E-UL-XX-57K

CPY Series - Version B

CPY250™ LED Canopy/Soffit Luminaire

Product Description
The CPY250™ LED Canopy/Soffit Luminaire has an extremely thin profile constructed of rugged cast aluminum. It can be surface mounted easily from below the canopy deck and can be pendant mounted.

Performance Summary
Assembled in the U.S.A. of U.S. and imported parts
Initial Delivered Lumens: Up to 20,060
Efficiency: Up to 151 LPW



Accessories
Direct Mount Luminaire
Pendant Mount Luminaire
Direct Mount Beam Pipe

Ordering Information
Example: CPY250-B-DM-UL-XX-57K

UL, DLC, NSF, ENEC, CE, RoHS, CREE logo and contact information.

WALL MOUNTED

Table with columns SYMBOL, QTY, LABEL. Values: 8, W.

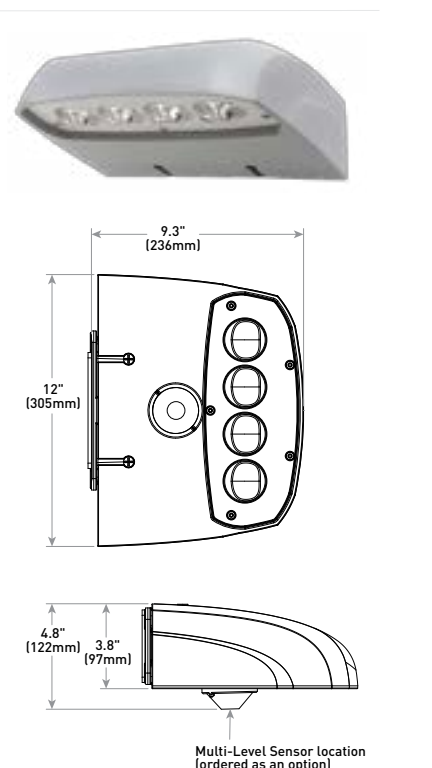
XSPWA03MC-UX

XSP Series

XSPW™ LED Wall Mount Luminaire

Product Description
The XSPW™ LED wall mount luminaire has a slim, low profile design intended for outdoor wall mounted applications.

Performance Summary
NanoOptic® Precision Delivery Grid™ optic
Made in the U.S.A. of U.S. and imported parts
CBI: Minimum 70 CBI



Accessories
Field-mount
Beam-Shift Shield
IP68-Ready Optics

Ordering Information
Example: XSPW-A-0-2-F-C-U-Z

UL, DLC, NSF, ENEC, CE, RoHS, CREE logo and contact information.

OSQ™ LED Area/Flood Luminaire - Medium

Product Specifications
Slim, low profile design minimizes wind load requirements
Luminaire housing is rugged die cast aluminum with an integral, weatheright™ LED driver compartment and high performance heat sink

Electrical Data table with columns Input Power Designator, System Watts, Total Current (A).

REGULATORY & VOLUNTARY QUALIFICATIONS
UL/cUL Listed
Suitable for wet locations
Enclosure rated IP68 per IEC 60529 when ordered with R8 option

UL, DLC, NSF, ENEC, CE, RoHS, CREE logo and contact information.

CPY250™ LED Canopy/Soffit Luminaire - Version B

Product Specifications
Slim, low profile design
Easy mounting and servicing from below the deck
Luminaire housing is constructed of rugged cast aluminum with integral heat sink specifically designed for LED

Electrical Data table with columns Input Power Designator, System Watts, Total Current (A).

REGULATORY & VOLUNTARY QUALIFICATIONS
UL/cUL Listed
Suitable for wet locations when ordered with DM or PD mount

UL, DLC, NSF, ENEC, CE, RoHS, CREE logo and contact information.

XSPW™ LED Wall Mount Luminaire

Product Specifications
Slim, low profile design
Luminaire housing specifically designed for LED applications with advanced LED thermal management and driver

Electrical Data table with columns Input Power Designator, System Watts, Total Current (A).

REGULATORY & VOLUNTARY QUALIFICATIONS
UL/cUL Listed
Suitable for wet locations
Enclosure rated IP68 per IEC 60529

UL, DLC, NSF, ENEC, CE, RoHS, CREE logo and contact information.

red leonard associates

CANADA

WESTERN CANADA

TOM SCUPHAM
tom.scupham@redleonard.com
t. 604-999-2959

CENTRAL CANADA

JIM RODD
jim.rodd@redleonard.com
t. 905-302-0072

EASTERN CANADA

ELVIN MACKAY
elvin.mackay@redleonard.com
t. 514-706-0378

MIDWESTERN REGION

ILLINOIS

BOB ROECKER
bob.roecker@redleonard.com
t. 815-222-7796

INDIANA

STEVE VEACH
steve.veach@redleonard.com
t. 765-212-6490

IOWA

NATHAN BOECKMAN
nathan.boeckman@redleonard.com
t. 712-660-8570

KENTUCKY

MARK BRANDEWIEDE
mark.brand@redleonard.com
t. 513-702-6088

MISSOURI

ISAAC COX
isaac.cox@redleonard.com
t. 573-355-1765

OHIO

JAYME LEONARD
jayme.leonard@redleonard.com
t. 513-574-9500

MARK TRAU
mark.trau@redleonard.com
t. 440-463-9196

NORTHEASTERN REGION

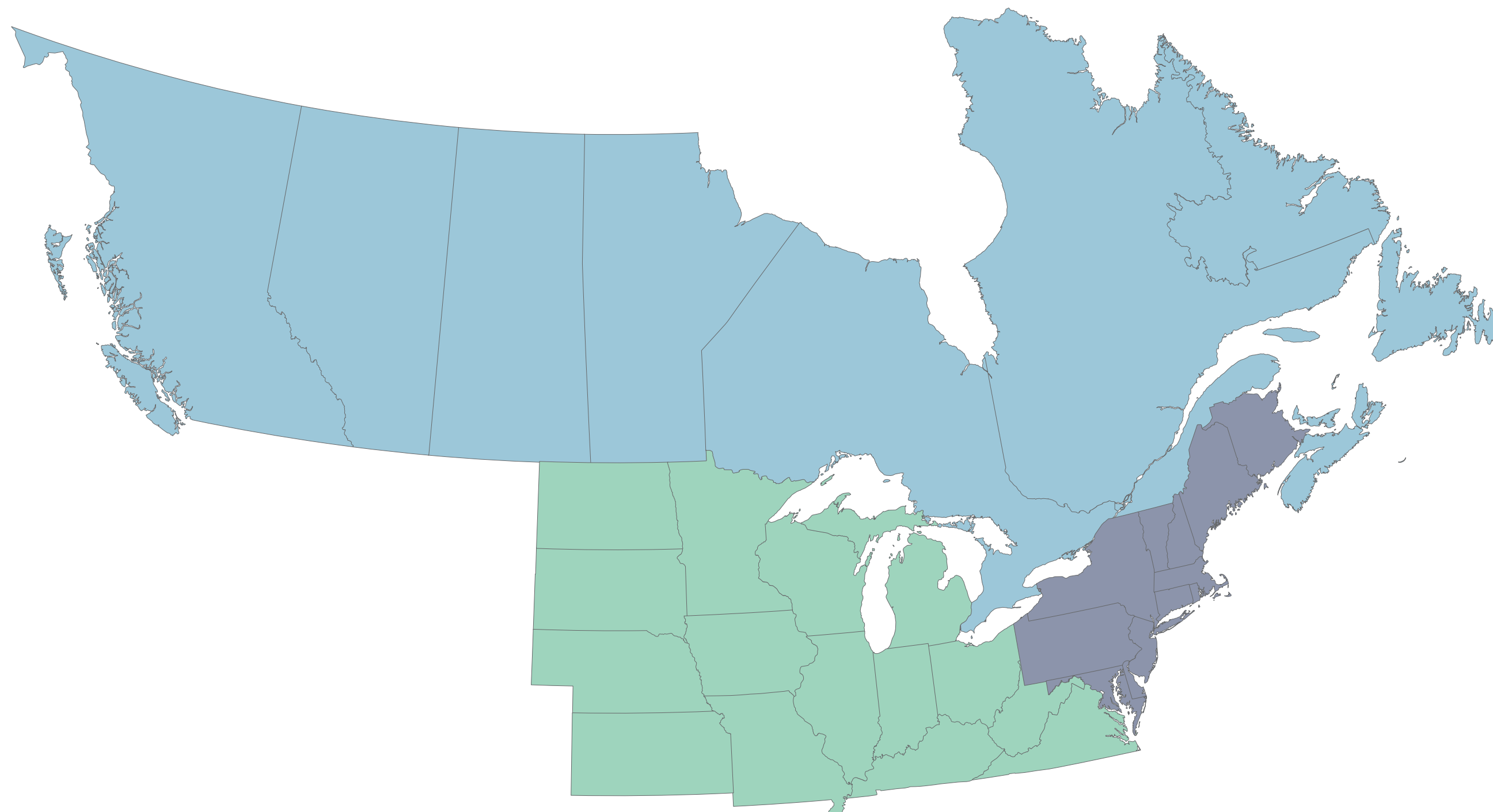
CONNECTICUT

MARK RITTER
mark.ritter@redleonard.com
t. 203-565-9801

NEW YORK

PAUL KULICAMP
paul.kulicamp@redleonard.com
t. 646-660-2750

PAUL WRIGHT
paul.wright@redleonard.com
t. 518-859-3400



DESIGNLIGHTS CONSORTIUM® (DLC QUALIFIED PRODUCTS LIST)



CLICK OR SCAN
FOR INFORMATION



CREE LIGHTING PRODUCT CATALOG



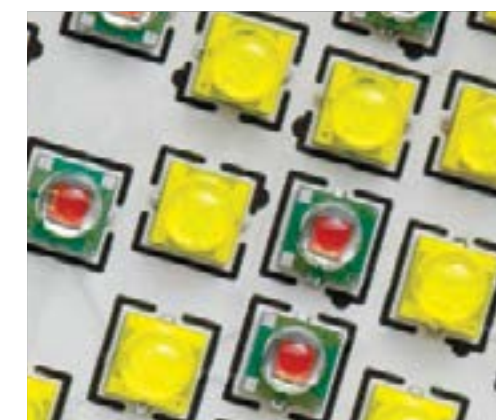
CLICK OR SCAN
FOR INFORMATION



CREE PETROLEUM UPGRADE GUIDE



CLICK OR SCAN
FOR INFORMATION



NanoOptic® TECHNOLOGY



CLICK OR SCAN
FOR INFORMATION



IP RATINGS DEMYSTIFIED



CLICK OR SCAN
FOR INFORMATION



CREE WARRANTY INFORMATION



CLICK OR SCAN
FOR INFORMATION



CREE PETROLEUM APPLICATION GUIDE



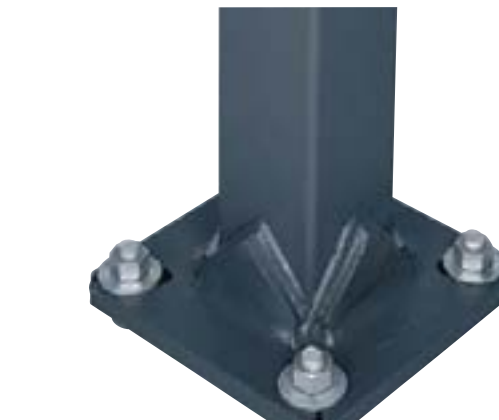
CLICK OR SCAN
FOR INFORMATION



CREE TRUEWHITE® & CRI (COLOR RENDERING INDEX)



CLICK OR SCAN
FOR INFORMATION



CROWN-WELD® SQUARE STRAIGHT STEEL POLES



CLICK OR SCAN
FOR INFORMATION

DIRECT ACCESS. ANYWHERE. ANYTIME. ON ANY DEVICE.



OR CONTACT YOUR LOCAL RED LEONARD ASSOCIATES REPRESENTATIVE TO JOIN

