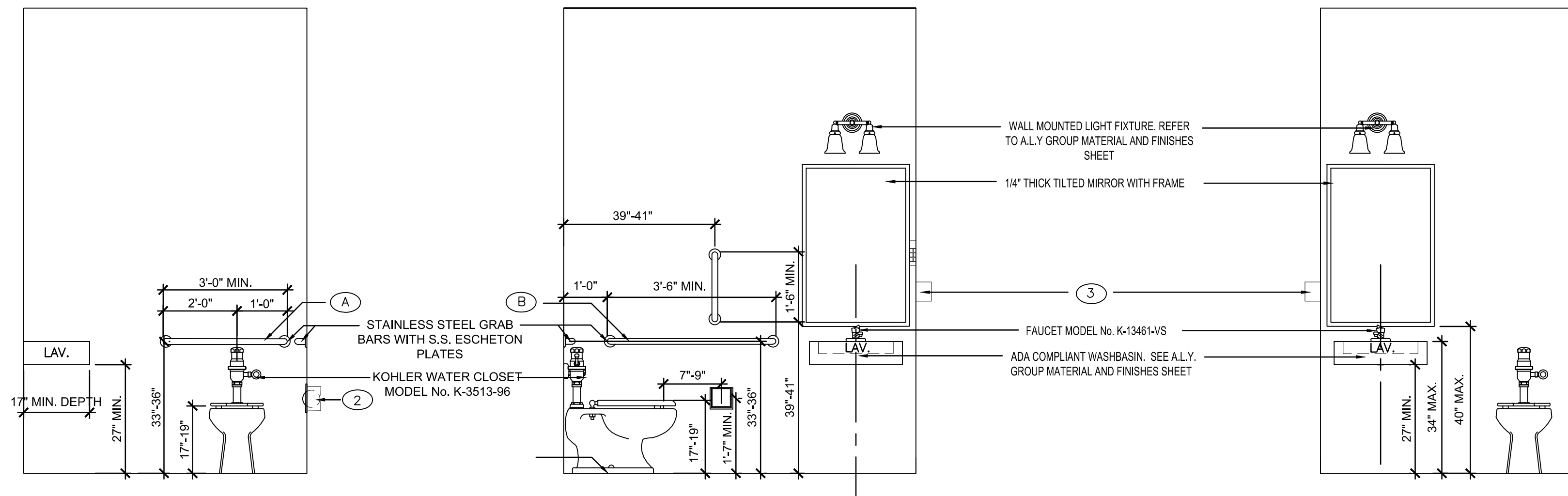
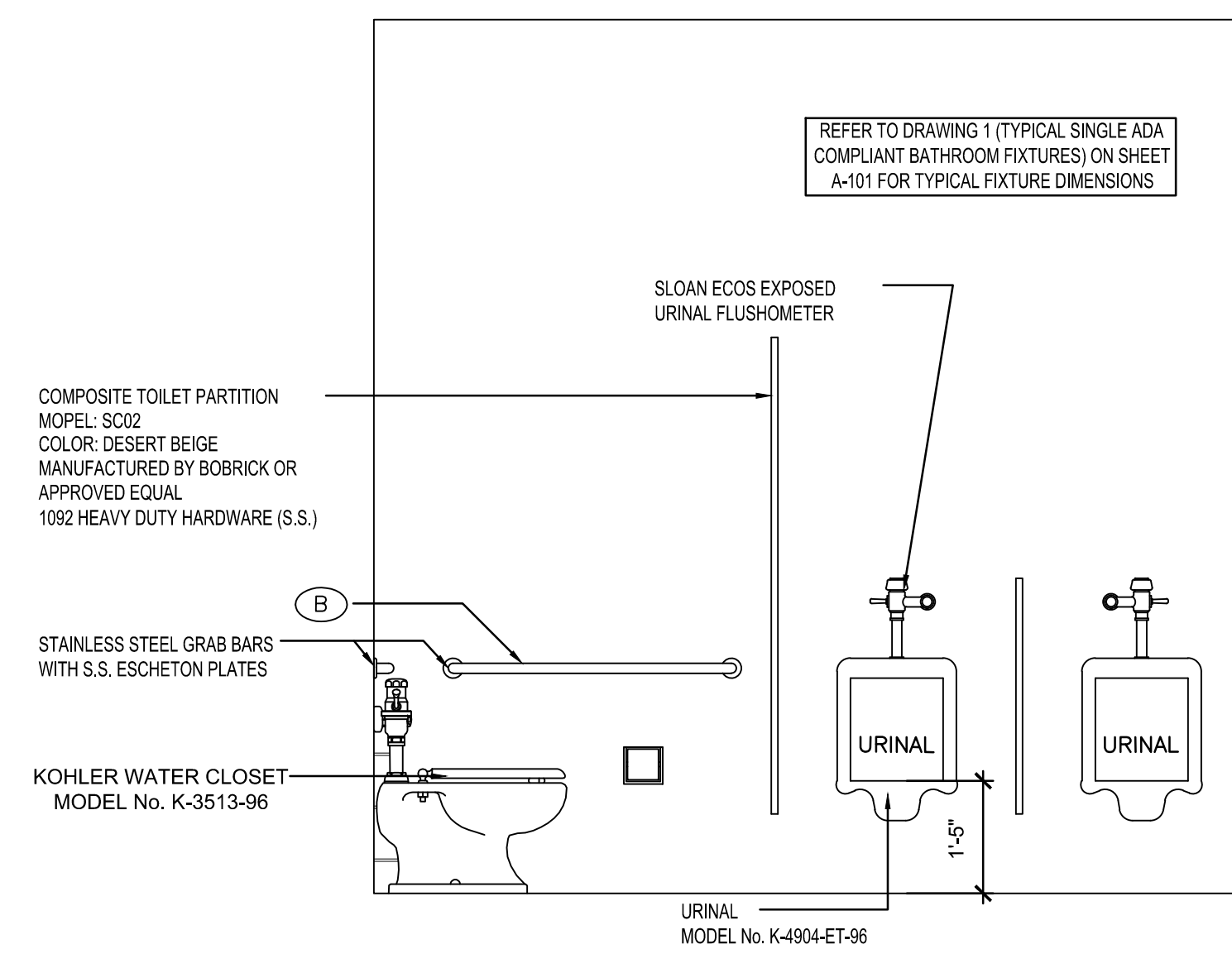


NOTE:
DO NOT SCALE DRAWINGS. REFER TO WRITTEN MEASUREMENTS FOR ACCURACY, OR CONTACT ARCHITECT. CONTACT ARCHITECT IF THERE ARE ANY DISCREPANCIES.
UNAUTHORIZED ALTERATIONS OR ADDITIONS TO THIS DRAWING IS A VIOLATION OF NEW YORK STATE EDUCATION LAW.
© Copyright 2016 MICHAEL PICCIRILLO ARCHITECTURE



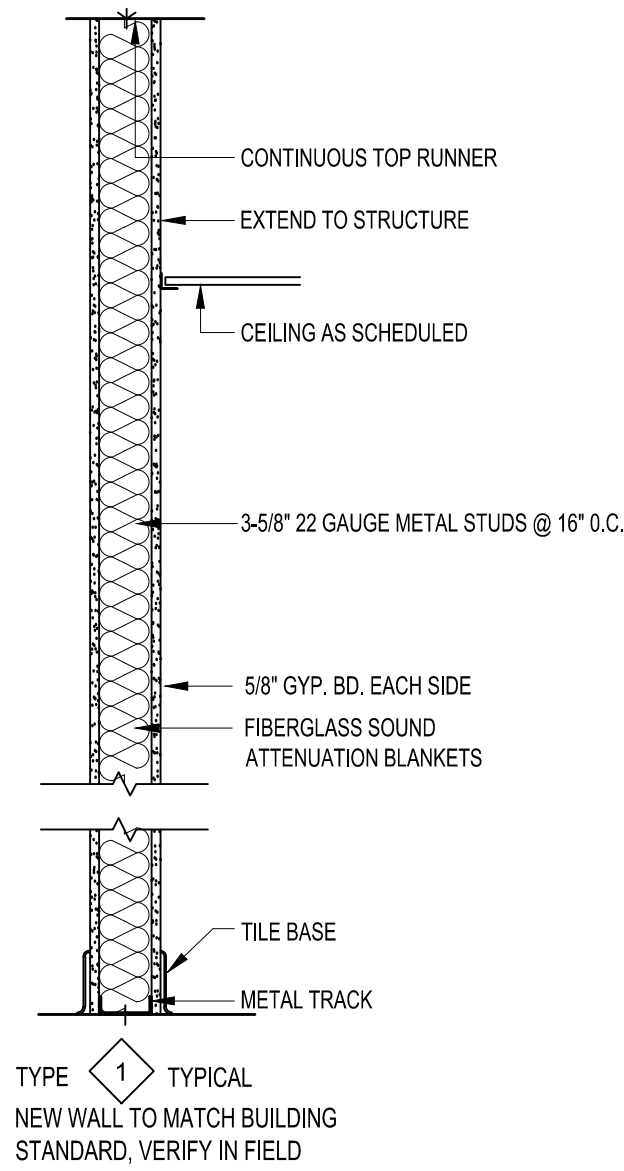
1 TYPICAL SINGLE ADA COMPLIANT BATHROOM FIXTURES
SCALE: 1/2" = 1'-0"



2 TYPICAL MULTI-STALL ADA COMPLIANT BATHROOM FIXTURES
SCALE: 1/2" = 1'-0"

PLUMBING SCHEDULE

DESCRIPTION	QTY	MANUFACTURER / MODEL No.	DIMENSIONS (W x D x H)	REMARKS
BATHROOM				
TOILET	5	KOHLER K-3513-96 FLOOR MOUNTED TOILETS EC FOR ADA TOP OF SEAT HEIGHT @17"-19"A.F.F.	14 3/4" x 25"	FLOOR MOUNTED LOW WATER USAGE BACK SIPHONAGE PROTECTION
URINAL	2	KOHLER K-4904-ET-96 URINAL	18 7/8" x 14 1/4" x 26 1/2"	WALL MOUNTED LOW WATER USAGE BACK SIPHONAGE PROTECTION
BATHROOM SINK	1	AMERICAN STANDARD 9482.000.020 OR KOHLER K-2210	17" x 14" x 4"	UNDER-MOUNT HOT AND COLD POTABLE WATER PROTECTION TO PIPES BELOW BACK SIPHONAGE PROTECTION POINT OF USE WATER HEATER
BATHROOM SINK FAUCET	1	KOHLER K-13460		HOT AND COLD POTABLE WATER WITH MIXING VALVE
BATHROOM SOAP DISPENSER	5	ULINE H-3415BL	10"x7"x7"	
(1) MIRROR SHELF	5	BOBRICK MODEL # B-292	24"x36"	● SURFACE RECESSED MOUNTING HIEGHT 3'-2" TO BOTTOM
(2) ROLL TOILET PAPER	5	HOLDER BOBRICK MODEL # B-4288		● SURFACE RECESSED MOUNTING HIEGHT 2'-4" TO BOTTOM
(3) RECESSED PAPER TOWEL DISPENSER / WASTE RECEPTACLE	5	BOBRICK MODEL # B-360P		● SURFACE RECESSED MOUNTING HIEGHT 6'-5" TO TOP
(A) HORIZONTAL BAR	2		30"	● SURFACE RECESSED MOUNTING HIEGHT 2'-10" O.C.
(B) HORIZONTAL BAR	2		42"	● SURFACE RECESSED MOUNTING HIEGHT 2'-10" O.C.



1 TYPICAL PARTITION - ONE (1) LAYER 5/8" GYPSUM BOARD EACH SIDE 3-5/8" METAL STUDS @ 16" O.C. FROM FLOOR TO ROOF/DECK ABOVE. INSTALL FULL THICK SOUND ATTENUATION BLANKETS FROM FLOOR TO TOP OF PARTITION.

DOOR SCHEDULE

DOOR NUMBER	LOCATION	DOOR OPENING (W x H x THICKNESS)	DOOR TYPE	DOOR MATERIAL	DOOR & FRAME FINISH	FRAME MATERIAL	HARDWARE SET	REMARKS
100	MEN'S BATHROOM	3'-0" x 6'-8" (VERIFY DOOR HEIGHT IN FIELD. MATCH EXISTING.)	SINGLE	MATCH EXISTING	PAINT	MATCH EXISTING	ADA COMPLIANT LEVER, FINISH TO MATCH EXISTING.	
101	WOMEN'S BATHROOM	3'-0" x 6'-8" (VERIFY DOOR HEIGHT IN FIELD. MATCH EXISTING.)	SINGLE	MATCH EXISTING	PAINT	MATCH EXISTING	ADA COMPLIANT LEVER, FINISH TO MATCH EXISTING.	

DOOR SCHEDULE NOTES

- ALL NEW DOORS TO MATCH EXISTING. PAINT COLOR T.B.D.
- CONTRACTOR TO SUPPLY AND INSTALL ADA COMPLIANT LEVERS TO MATCH EXISTING.

FINISH SCHEDULE

ROOM NAME	FLOOR FINISH	BASE	NORTH WALL		EAST WALL		SOUTH WALL		WEST WALL		CEILING	REMARKS
			MAT.	FIN.	MAT.	FIN.	MAT.	FIN.	MAT.	FIN.		
BATHROOM No. 1	TILE	TILE	TILE GYP.	PAINT	TILE GYP.	PAINT	TILE GYP.	PAINT	TILE GYP.	PAINT	GYP. BD.	FLUSH MARBLE SADDLE
MEN'S BATHROOM	TILE	TILE	TILE GYP.	PAINT	TILE GYP.	PAINT	TILE GYP.	PAINT	TILE GYP.	PAINT	GYP. BD. PAINTED	FLUSH MARBLE SADDLE
WOMEN'S BATHROOM	TILE	TILE	TILE GYP.	PAINT	TILE GYP.	PAINT	TILE GYP.	PAINT	TILE GYP.	PAINT	GYP. BD. PAINTED	FLUSH MARBLE SADDLE

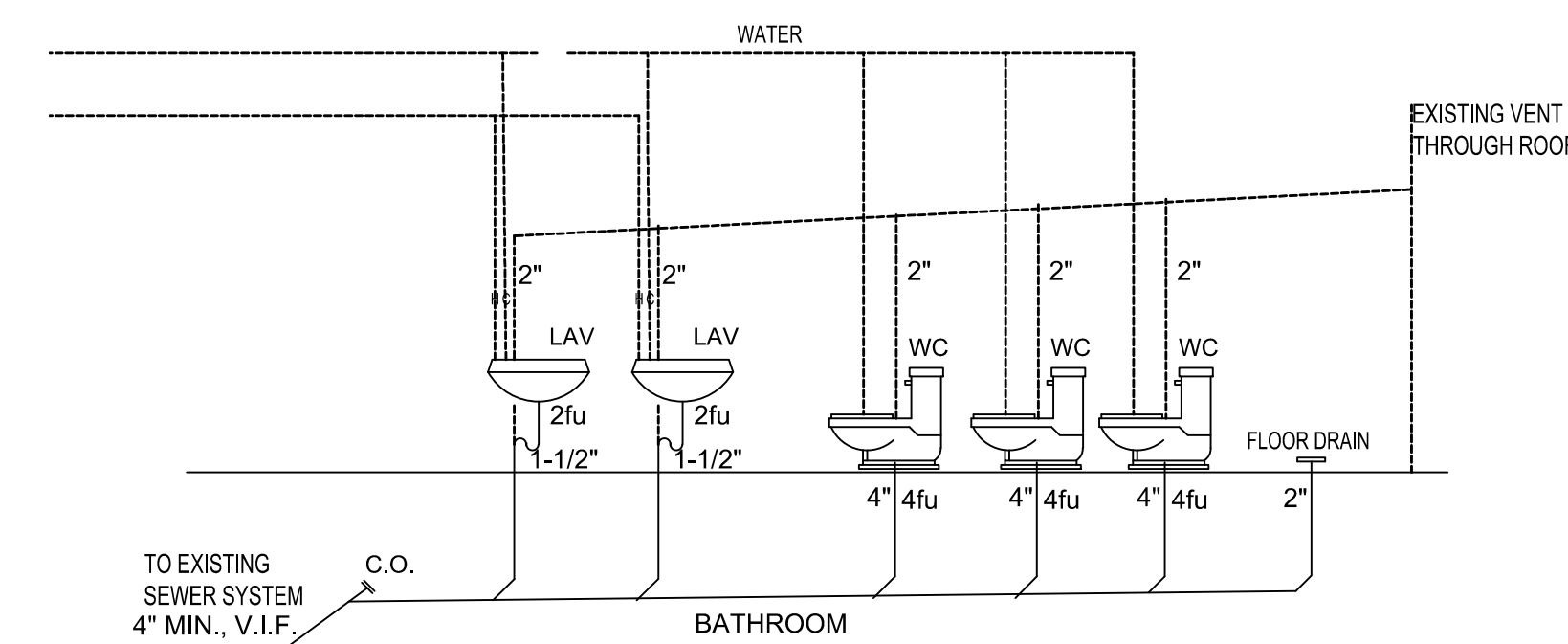
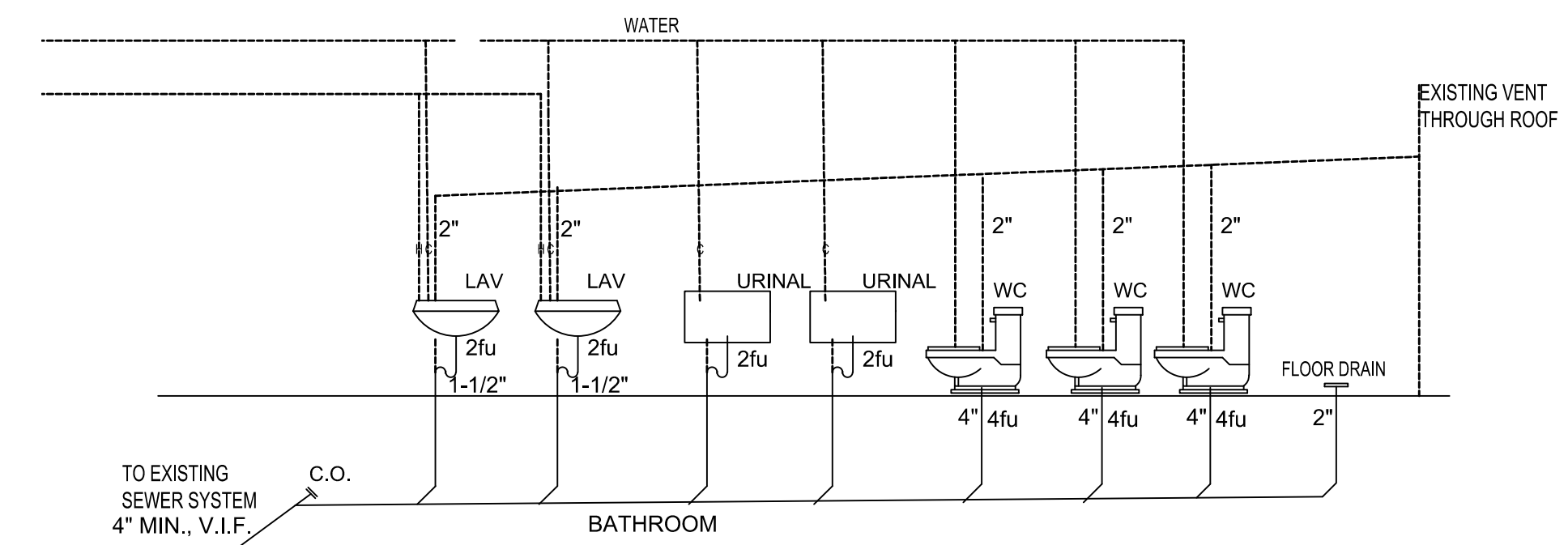
FINISH SCHEDULE NOTES

- ALL TILE OR STONE FLOORING TO BE SET ON THINSET OVER CEMENT BOARD, TYP. U.O.N.
- ALL TILE, MARBLE SADDLES AND COUNTERTOPS TO BE SUPPLIED AND INSTALLED BY CONTRACTOR.
- ALL SURFACES AND FINISHES TO RECEIVE PRIMER IN STRICT ACCORDANCE WITH PAINT MANUFACTURER'S RECOMMENDATIONS. RECOAT AS REQUIRED FOR PROPER COVERAGE.

GYP. = GYPSUM WALLBOARD
CEL. = CEMENT BOARD

MATERIAL / ACCESSORY SCHEDULE

	MODEL	MANUFACTURER	REMARKS
SUSPENDED ACOUSTICAL TILE GRID	SUPERFINE XL 1/4" EXPOSED TEE	ARMSTRONG CEILINGS	
ACOUSTICAL CEILING TILE	DUNE SQUARE LAY-IN & TEGULAR FINE TEXTURE	ARMSTRONG CEILINGS	
2' x 2' LED LIGHTING FIXTURE	LYT 22 SERIES	GE LIGHTING	COMMERCIAL GRADE LIGHT SWITCH
EXIT SIGN	LPX75D	SURE-LITE OR APPROVED EQUAL	
EMERGENCY LIGHT WITH BATTERY BACKUP	XR12206	SURE-LITE OR APPROVED EQUAL	

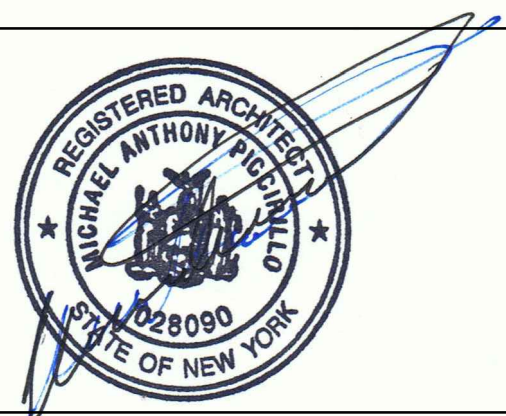


4 PLUMBING RISER DIAGRAM
SCALE: N.T.S.

No.	DATE	REVISION
1	10/17/17	ISSUED FOR BIDDING
2	11/16/17	REVISED AS PER ENGINEERING DEPT. COMMENTS

PROJECT NAME:
JOHN C. HART MEMORIAL LIBRARY
BATHROOM RENOVATIONS

PROJECT ADDRESS:
1130 EAST MAIN STREET
SHRUB OAK, NEW YORK
10588



MICHAEL A PICCIRILLO, AIA

345 KEAR STREET SUITE #203
YORKTOWN, NEW YORK 10598

TELEPHONE: 914-368-9838
FACSIMILE: 914-368-9839
michael@mpiccirilloarchitect.com
www.mpiccirilloarchitect.com

DETAILS
SCHEDULES
PARTITION TYPE

SCALE: AS NOTED DATE: 08-20-2016

DESIGNED BY: MAP
CHECKED BY: MAP
1 OF 1

A-101