

LOCATION MAP SCALE: 1" = 2,000'±

APPLICANT:
 NY Fuel Distributors
 235 Mamaroneck Avenue
 White Plains, NY 10605

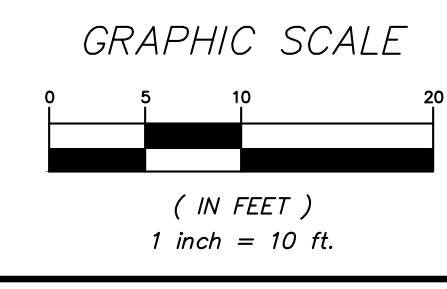
SITE DATA:
 Zone: C-4
 Total Acreage: 0.49 AC
 Tax Map No.: 16.07-1-43

- GENERAL NOTES:**
1. Property survey data, topography and existing features based upon field survey prepared by Galois Surveying Group L.S. no. 50124.
 2. Northern portion of Barger St and western portion of East Main St were digitized from orthorectified imagery provided by the NYS GIS Clearinghouse.
 3. The gas, electric and communication utilities shall be installed in accordance with the utility provider specifications including but not limited to provided the proper bedding, cover and detectable warning tape 7" tracer wire. The utility service provided shall ultimately select the utility location.
 4. The FEMA Floodplain elevation shown hereon was determined from the nearest available cross section data as shown on the FEMA Mapping and was determined to be elevation 422.2.

- DEMOLITION NOTES:**
1. The existing building and frame office trailer shall be razed.
 2. The existing pump islands and fuel tanks were removed subsequent to the survey field work being completed. These previous pump islands and fuel tanks are shown hereon based on the previous survey field work completed.
 3. The existing asphalt within the parking lot shall be removed to allow for the regrading shown on SP-2.
 4. The existing water and sewer service shall be utilized to the maximum extent practicable. The existing sewer service shall be CCTV inspected prior to the new building being connected to the proposed building.

LEGEND

	EXISTING PROPERTY LINE
	EXISTING BUILDING TO BE REMOVED
	EXISTING STONE WALL
	EXISTING CHAIN LINK FENCE
	EXISTING CONCRETE CURB
	EXISTING CONCRETE CURB TO BE REMOVED
	EXISTING OVERHEAD WIRES
	EXISTING UTILITY POLE
	EXISTING ELECTRIC SERVICE LINE
	EXISTING WATER SERVICE LINE
	EXISTING SEWER SERVICE LINE
	EXISTING MONITORING WELL
	EXISTING EDGE OF WATER
	EXISTING WETLAND BUFFER
	EXISTING 5' CONTOUR
	EXISTING 1' CONTOUR
	EXISTING SPOT GRADE



NO.	DATE	REVISION	RESUBMISSION TO TOWN	G.A.M.
1	12-16-19			
			REVISION	BY

INSITE
 ENGINEERING, SURVEYING &
 LANDSCAPE ARCHITECTURE, P.C.

3 Garrett Place
 Carmel, NY 10512
 (845) 225-9690
 (845) 225-9717 fax
 www.insite-eng.com

PROJECT:
NY FUEL DISTRIBUTORS

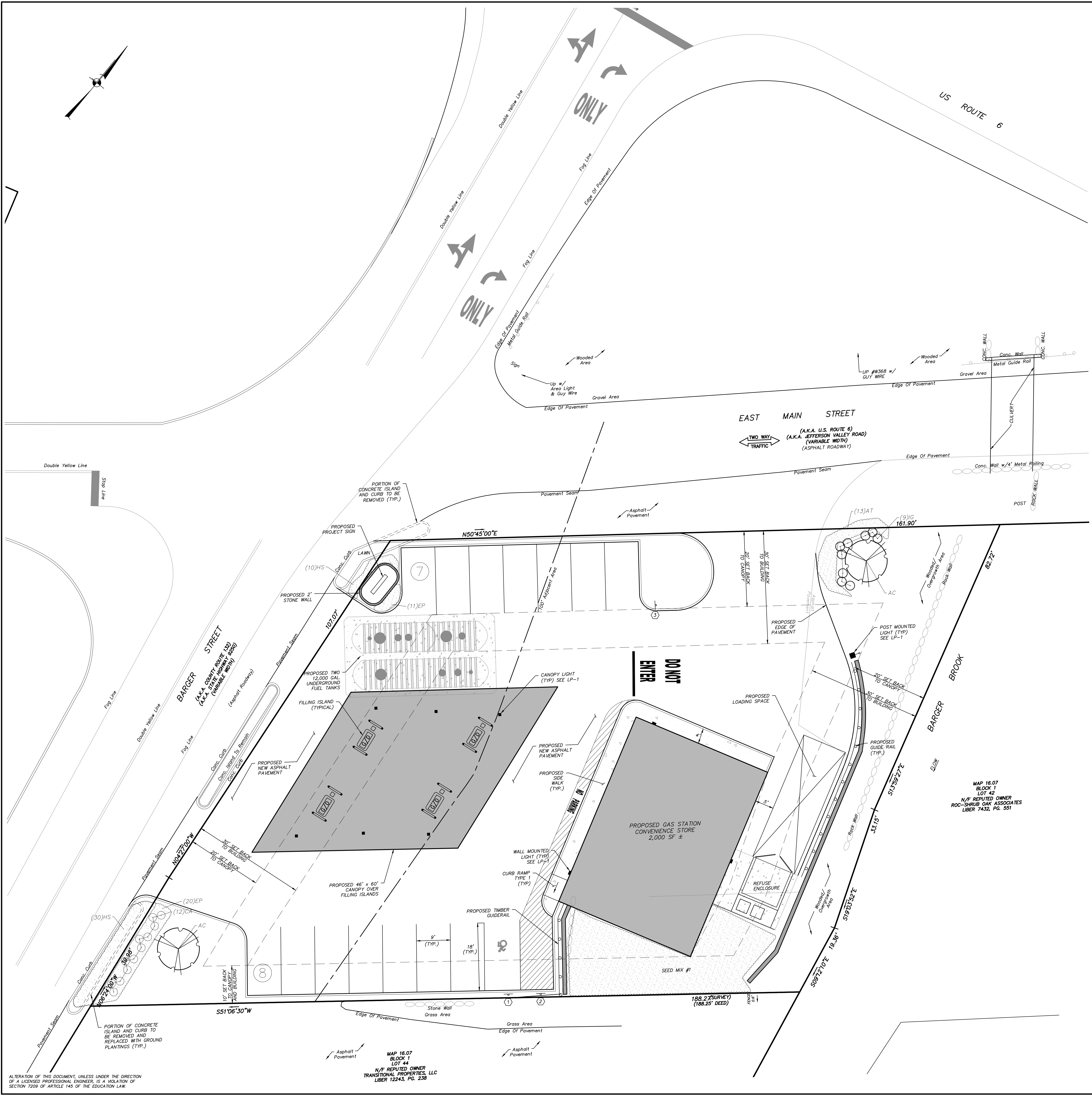
3700 BARGER STREET, TOWN OF YORKTOWN, WESTCHESTER COUNTY

DRAWING:
EXISTING CONDITIONS

PROJECT NUMBER	19195.100	PROJECT MANAGER	R.D.W.	DRAWING NO.	SHEET
DATE	10-8-19	DRAWN BY	S.V.W.		
SCALE	1" = 10'	CHECKED BY	R.D.W.		

EX-1

ALTERATION OF THIS DOCUMENT, UNLESS UNDER THE DIRECTION OF A LICENSED PROFESSIONAL ENGINEER, IS A VIOLATION OF SECTION 2209 OF ARTICLE 145 OF THE EDUCATION LAW.



LEGEND

	PROPOSED CONCRETE CURB
	PROPOSED EDGE OF SIDEWALK
	PROPOSED PAINTED DIRECTIONAL ARROW
	PROPOSED PAINTED HANDICAP PARKING SYMBOL
	PROPOSED LOADING SPACE
	PROPOSED BOLLARD
	PROPOSED POLE MOUNTED LIGHT
	PROPOSED RECESSED CANOPY LIGHT
	PROPOSED BUILDING MOUNTED LIGHT
	PROPOSED DOOR LOCATION

SIGN DATA TABLE

NO.	TEXT	M.U.T.C.D. NUMBER	SIZE OF SIGN (S.F.)	DESCRIPTION
1		NY R7-B*	12" x 18"	Green on White Blue Symbol
		R7-BP	12" x 6"	Green on White
2		R7-1	12" x 18"	Red on White
3		R5-1C	30" x 30"	White on Red

YORKTOWN C-4 ZONING REQUIREMENTS:

	Required/Permitted:		Proposed:
	Existing:	Proposed:	
Lot Area (sq. ft.):	None	0.49 Ac.±	0.49 Ac.±
Lot Width at Front Line of Main Building:	25'	122'±	122'±
Lot Depth:	100'	171'±	171'±
Front Yard:			
Main Building:	30'	37'±	48'±
Accessory Building:	20'	50'±	13'±*
Side Yard:			
Main Building:	10'	26'±	10'±
Accessory Building:	10'	0	40'±
Rear Yard:			
Main Building:	30'	39'±	30'±
Accessory Building:	30'	79'±	95'±
Maximum Height:			
Main Building:	35'	-	-
Accessory Buildings:	20'	-	-
Maximum Coverage (All Buildings):	30%	16% ±	20% ±
Required Off-Street Loading Berths:	1	0	1

*Variance Required

PARKING REQUIREMENTS:

	Required:	Provided:
Gasoline Filling Station:	10 Spaces	14
5 Spaces/1000 SF x 2,000 SF	1	1
1 Parking Space Per 2 Employees	1	1
Total:	11	15

PLANT LIST

QTY.	SYMBOL	BOTANICAL/COMMON NAME	SIZE	ROOT
FLOWERING/SPECIMEN TREES				
2	AC	Ametancher canadensis / Shadowb Serviceberry	10' HT.	B & B
SHRUBS				
12	CA	Cornus alba 'Bailhoia' / Ivory Halo Tatarian dogwood	24"-30" HT	#5 CONT
9	IG	Ilex glabra / Inkberry Holly	12" - 18" HT.	#3 CONT
PERENNIALS/GRASSES/GROUNDCOVERS				
13	AT	Asclepias tuberosa / Butterfly Weed	#1 CONT.	36" O.C.
40	EP	Echinacea purpurea / Purple Coneflower	#1 CONT.	18" O.C.
31	HS	Hemerocallis 'Stella De Oro' / Stella de Oro Daylily	#1 CONT.	24" O.C.
SEED MIX #1				
		"New England Conservation/Wildlife Mix" by New England Wetland Plants Inc. or approved equal	---	30lbs/oc

1	12-16-19	RESUBMISSION TO TOWN	G.A.M.
REVISION			BY

INSITE
ENGINEERING, SURVEYING &
LANDSCAPE ARCHITECTURE, P.C.

3 Garrett Place
Cornell, NY 14852
(845) 225-9690
(845) 225-9717 fax
www.insite-eng.com

PROJECT:
NY FUEL DISTRIBUTORS

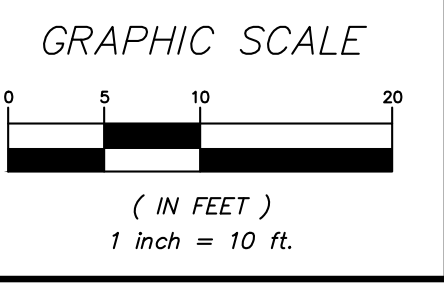
3700 BARBER STREET, TOWN OF YORKTOWN, WESTCHESTER COUNTY

DRAWING:
LAYOUT AND LANDSCAPE PLAN

PROJECT NUMBER: 19195.100
DATE: 10-8-19
SCALE: 1" = 10'

PROJECT MANAGER: R.D.W.
DRAWN BY: S.V.W.
CHECKED BY: R.D.W.

DRAWING NO.: SP-1
SHEET: 2 OF 8

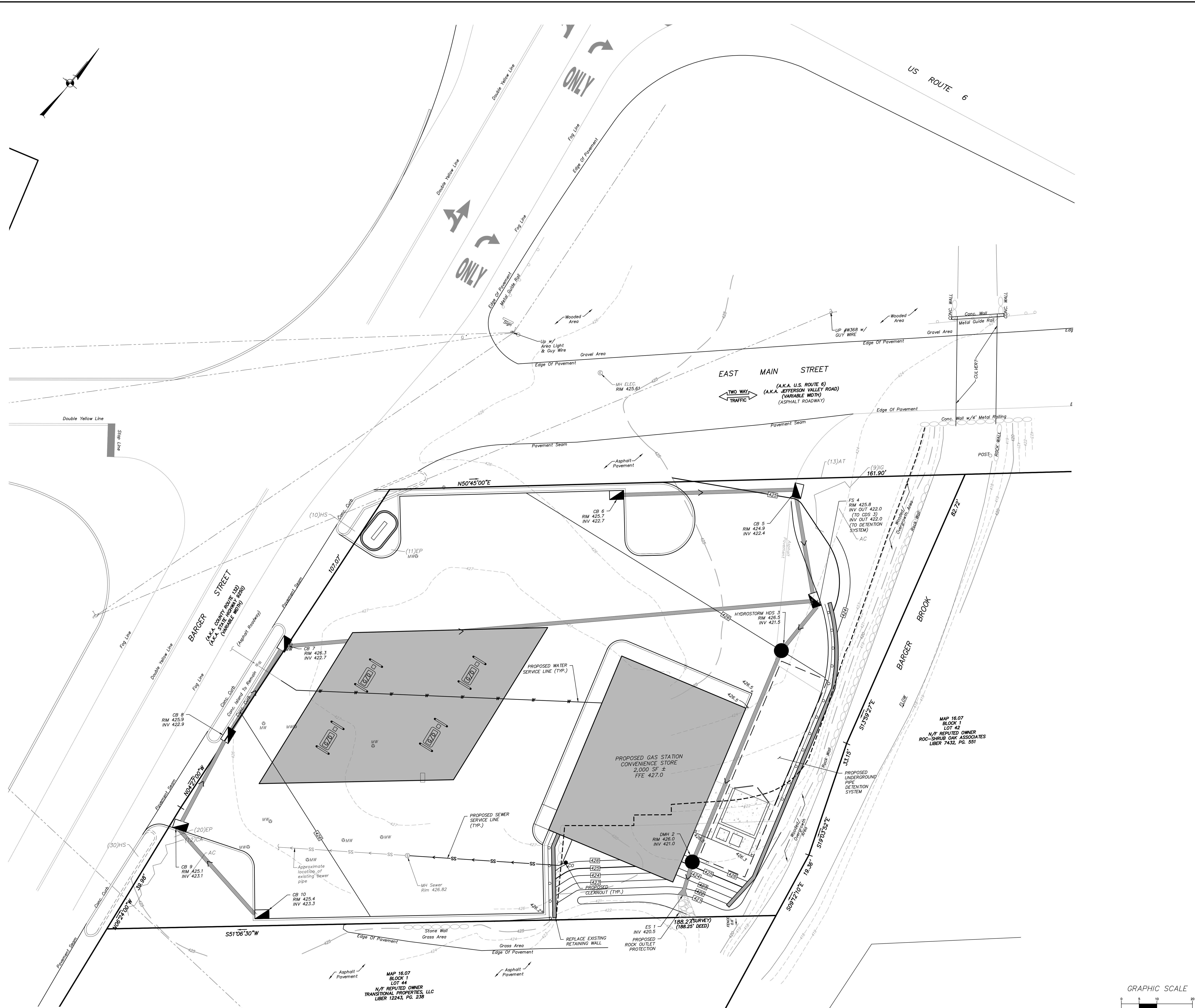


ALTERATION OF THIS DOCUMENT, UNLESS UNDER THE DIRECTION OF A LICENSED PROFESSIONAL ENGINEER, IS A VIOLATION OF SECTION 2209 OF ARTICLE 145 OF THE EDUCATION LAW.

MAP 16.07
BLOCK 1
LOT 44
N/F REPUTED OWNER
TRANSITIONAL PROPERTIES, LLC
LIBER 12243, PG. 236

MAP 16.07
BLOCK 1
LOT 42
N/F REPUTED OWNER
ROC-SHRUB OAK ASSOCIATES
LIBER 7432, PG. 551

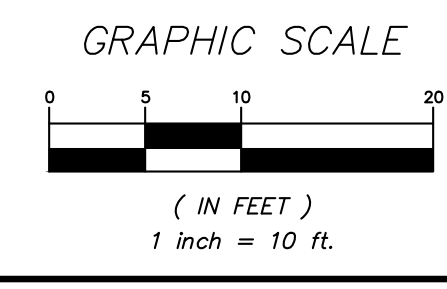
188.27(SURVEY)
(188.25' DEED)



LEGEND

	PROPOSED 5' CONTOUR
	PROPOSED 1' CONTOUR
	PROPOSED SPOT ELEVATION
	PROPOSED TOP OF CURB & BOTTOM OF CURB ELEVATIONS
	PROPOSED TOP OF WALL & BOTTOM OF WALL ELEVATIONS
	PROPOSED SEWER MANHOLE
	PROPOSED DRAINAGE MANHOLE
	PROPOSED CATCH BASIN
	PROPOSED OUTLET STRUCTURE
	PROPOSED END SECTION
	PROPOSED WATER GATE VALVE
	PROPOSED WATER VALVE
	PROPOSED DRAINAGE PIPE
	PROPOSED SEWER SERVICE LINE
	PROPOSED WATER SERVICE LINE
	PROPOSED ELECTRIC SERVICE LINE
	PROPOSED SEWER SERVICE LINE

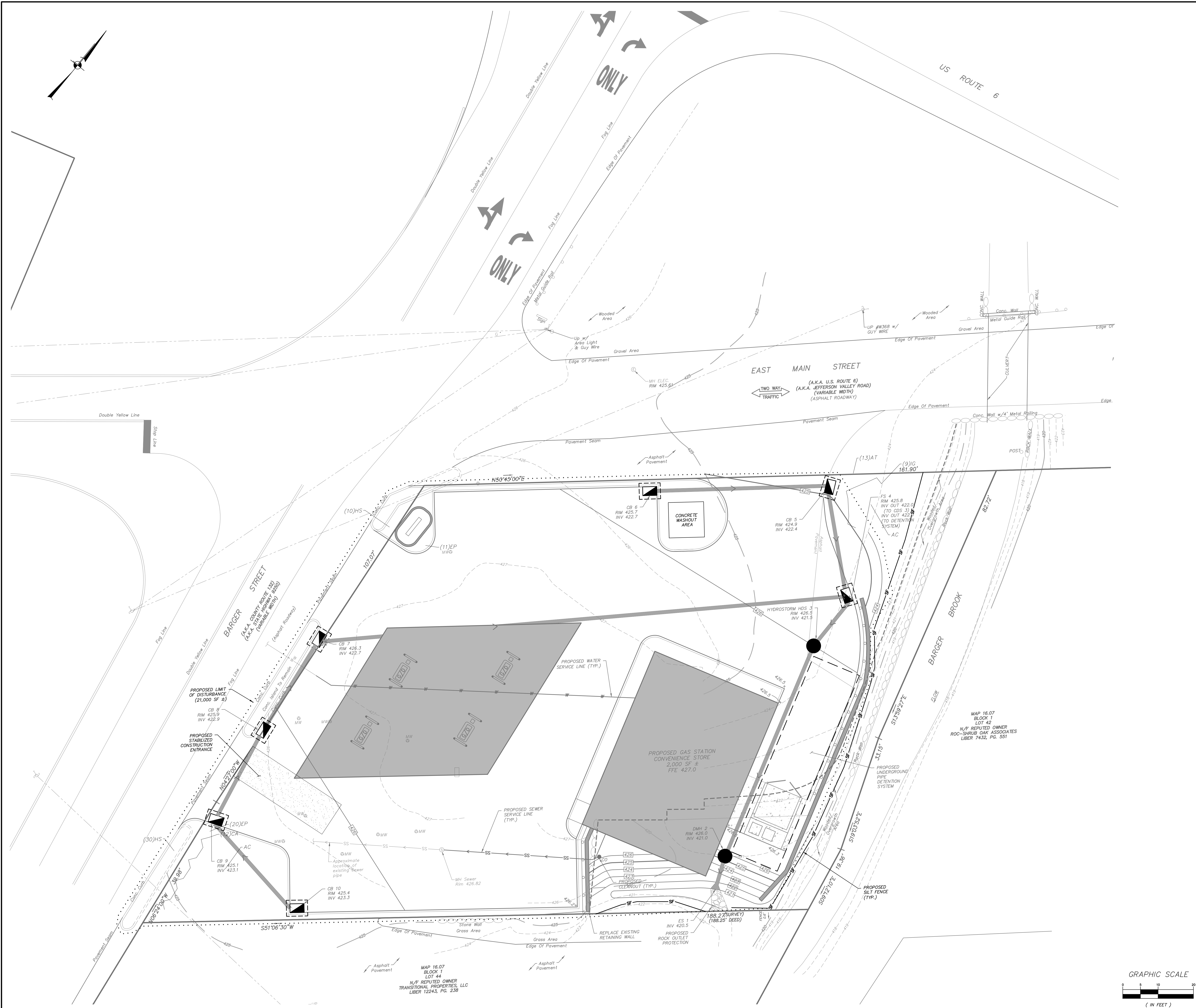
1	12-16-19	RESUBMISSION TO TOWN	G.A.M.
NO.	DATE	REVISION	BY
INSITE			
ENGINEERING, SURVEYING & LANDSCAPE ARCHITECTURE, P.C.			
PROJECT: NY FUEL DISTRIBUTORS			
3700 BARGER STREET, TOWN OF YORKTOWN, WESTCHESTER COUNTY			
DRAWING: GRADING & UTILITIES PLAN			
PROJECT NUMBER	19195.100	PROJECT MANAGER	R.D.W.
DATE	10-8-19	DRAWN BY	S.V.W.
SCALE	1" = 10'	CHECKED BY	R.D.W.
DRAWING NO.	SP-2	SHEET	3
			8



ALTERATION OF THIS DOCUMENT, UNLESS UNDER THE DIRECTION OF A LICENSED PROFESSIONAL ENGINEER, IS A VIOLATION OF SECTION 2209 OF ARTICLE 145 OF THE EDUCATION LAW.

MAP 16.07
 BLOCK 1
 LOT 44
 N/F REPUTED OWNER
 TRANSITIONAL PROPERTIES, LLC
 LIBER 12243, PG. 238

MAP 16.07
 BLOCK 1
 LOT 42
 N/F REPUTED OWNER
 ROC-SHRUB OAK ASSOCIATES
 LIBER 7432, PG. 351

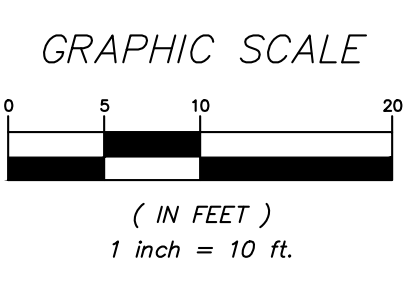


LEGEND

	PROPOSED SILT FENCE
	PROPOSED CONSTRUCTION FENCE
	PROPOSED STONE RIP-RAP
	PROPOSED LIMITS OF DISTURBANCE
	PROPOSED DRAINAGE STRUCTURE W/ INLET PROTECTION

- EROSION & SEDIMENT CONTROL NOTES:**
- The owner's field representative (O.F.R.) will be responsible for the implementation and maintenance of erosion and sediment control measures on this site prior to and during construction.
 - All construction activities involving the removal or disposition of soil are to be provided with appropriate protective measures to minimize erosion and contain sediment disposition within. Minimum soil erosion and sediment control measures shall be implemented as shown on the plans and shall be installed in accordance with "New York Standards and Specifications For Erosion and Sediment Control," latest edition.
 - Wherever feasible, natural vegetation should be retained and protected. Disturbance shall be minimized in the areas required to perform construction. No more than 5 acres of unprotected soil shall be exposed at any one time.
 - When land is exposed during development, the exposure shall be kept to the shortest practical period of time. In the areas where soil disturbance activity has temporarily or permanently ceased, the application of soil stabilization measures shall be initiated by the end of the next business day and completed within fourteen (14) days from the date the current soil disturbance activity ceased. Disturbance shall be minimized to the areas required to perform construction.
 - Silt fence shall be installed as shown on the plans prior to beginning any clearing, grubbing or earthwork.
 - All topsoil to be stripped from the area being developed shall be stockpiled and immediately seeded for temporary stabilization. Ryegrass (annual or perennial) at a rate of 50 lbs. per acre shall be used for temporary seeding in spring, summer or early fall. Aristarok Winter Rye (cereal rye) shall be used for temporary seeding in late fall and winter.
 - Any disturbed areas not subject to further disturbance or construction traffic, permanent or temporary, shall have soil stabilization measures initiated for permanent vegetation cover in combination with a suitable mulch within 1 business day of final grading. All seeded areas to receive a minimum 4" topsoil (from stockpile area) and be seeded and mulched as follows:
 - Seed mixture to be planted between March 21 and May 20, or between August 15 and October 15 or as directed by project representative at a rate of 100 pounds per acre in the following proportions:
 - Kentucky Bluegrass 20%
 - Creeping Red Fescue 40%
 - Perennial Ryegrass 20%
 - Annual Ryegrass 20%
 - Mulch: Soft hay or small grain straw applied at a rate of 90 lbs./1000 S.F. or 2 tons/acre, to be applied and anchored according to "New York Standards and Specification For Erosion and Sediment Control," latest edition.
 - Grass seed mix may be applied by either mechanical or hydroseeding methods. Seeding shall be performed in accordance with the current edition of the "NYSDOT Standard Specification, Construction and Materials, Section 610-3.02, Method No. 1." Hydroseeding shall be performed using materials and methods as approved by the site engineer.
 - Cut or fill slopes steeper than 2:1 shall be stabilized immediately after grading with Curlex 1 Single Net Erosion Control Blanket, or approved equal.
 - Paved roadways shall be kept clean at all times.
 - The site shall at all times be graded and maintained such that all stormwater runoff is diverted to soil erosion and sediment control facilities.
 - All storm drainage outlets shall be stabilized, as required, before the discharge points become operational.
 - Stormwater from disturbed areas must be passed through erosion control barriers before discharge beyond disturbed areas or discharged into other drainage systems.
 - Erosion and sediment control measures shall be inspected and maintained on a daily basis by the O.F.R. to insure that channels, temporary and permanent ditches and pipes are clear of debris, that embankments and berms have not been breached and that all straw bales and silt fences are intact. Any failure of erosion and sediment control measures shall be immediately repaired by the contractor and inspected for approval by the O.F.R. and/or site engineer.
 - Dust shall be controlled by sprinkling or other approved methods as necessary, or as directed by the O.F.R.
 - Cut and fills shall not endanger adjoining property, nor divert water onto the property of others.
 - All fills shall be placed and compacted in 6" lifts to provide stability of material and to prevent settlement.
 - The O.F.R. shall inspect downstream conditions for evidence of sedimentation on a weekly basis and after rainstorms.
 - As warranted by field conditions, special additional erosion and sediment control measures, as specified by the site engineer and/or the Town Engineer shall be installed by the contractor.
 - Erosion and sediment control measures shall remain in place until all disturbed areas are suitably stabilized.

1	12-16-19	RESUBMISSION FOR TOWN	G.M.
NO.	DATE	REVISION	BY
		3 Garrett Place Cornell, NY 14852 (845) 225-9690 (845) 225-9717 for www.insite-eng.com	
		PROJECT: NY FUEL DISTRIBUTORS	
3700 BARGER STREET, TOWN OF YORKTOWN, WESTCHESTER COUNTY			
DRAWING: EROSION CONTROL PLAN			
PROJECT NUMBER	19195.100	PROJECT MANAGER	R.D.W.
DATE	10-8-19	DRAWN BY	S.V.W.
SCALE	1" = 10'	CHECKED BY	R.D.W.
DRAWING NO.		SHEET	
SP-3		4	



ALTERATION OF THIS DOCUMENT, UNLESS UNDER THE DIRECTION OF A LICENSED PROFESSIONAL ENGINEER, IS A VIOLATION OF SECTION 2209 OF ARTICLE 145 OF THE EDUCATION LAW.

MAP 16.07
BLOCK 1
LOT 44
N/F REPUTED OWNER
TRANSITIONAL PROPERTIES, LLC
LIBER 12243, PG. 238

MAP 16.07
BLOCK 1
LOT 42
N/F REPUTED OWNER
ROC-SHRUB OAK ASSOCIATES
LIBER 7432, PG. 551



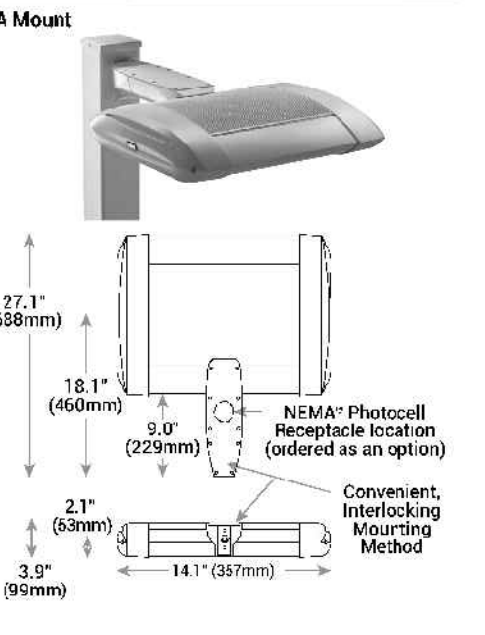
Cree Edge™ Series

LED Area/Flood Luminaire

Product Description
Slim, low profile design minimizes wind load requirements. Luminaire sides are rugged cast aluminum with integral, weatheright LED driver compartment and high performance aluminum heat sinks. Convection, shockproof mounting method. Mounting hardware is rugged die cast aluminum and mounts to 3-1/2" (76-152mm) square or round pole. Luminaire is secured by two 5/16"-18 UNC bolts spaced at 7.5" (191mm) centers.
Applications: Auto dealerships, parking lots, campuses, facade lighting and general site lighting

Performance Summary

- Utilizes SHiLED™ Technology
- Patented NanoShield™ Product Technology
- Made in the U.S.A. of U.S. and imported parts
- CRI: Minimum 70 CRI
- CCT: 4000K (+/- 500K), 5000K (+/- 500K) standard
- Limited Warranty: 10 years on luminaire/10 years on Colorfast DeluxGuard™ finish



CPY Series - Version A

LED Canopy/Self Luminaire

Product Description
The CPY™ LED Canopy/Self Luminaire has an extremely thin profile constructed of rugged cast aluminum. It is surface mounted and has two drive-free canopy LEDs and one pre-mounted recessed lighting LED. LEDs are illuminated with a high-power electronic Hic 21™ driver using 350mA.
Applications: Petroleum canopies, OTC fueling stations, safety.

Performance Summary

- Made in the U.S.A. of U.S. and imported parts
- Initial Delivered Lumens: Up to 17,478
- Efficiency: Up to 127 lm/w
- CRI: Minimum 70 CRI
- CCT: 4000K (+/- 500K), 5000K (+/- 500K) Standard
- Limited Warranty: 10 years on luminaire/10 years on Colorfast DeluxGuard™ finish
- PS6 fixture (Direct Mount only)
- Class 1, Division 2 hazardous location for select models



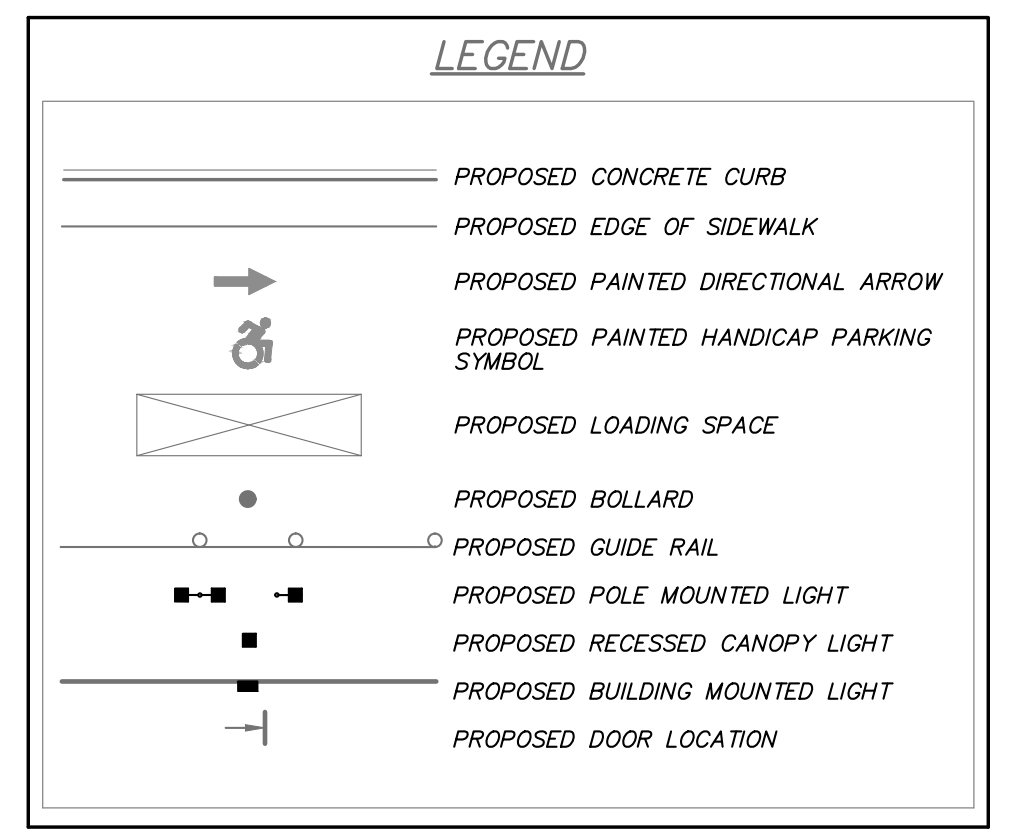
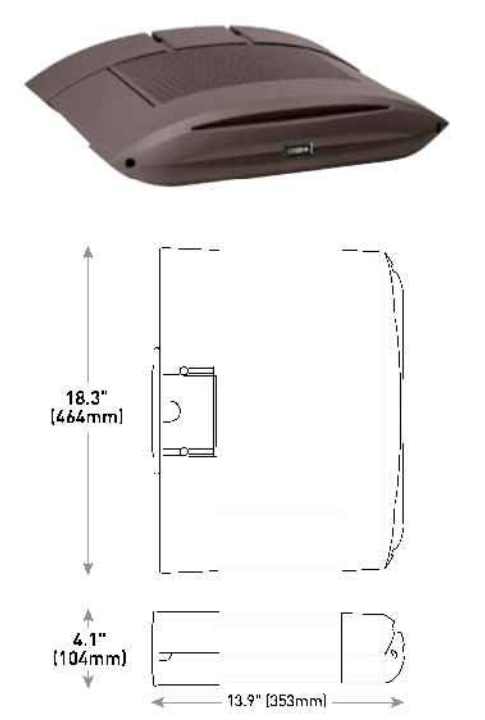
Cree Edge™ Series

LED Security Wall Pack Luminaire

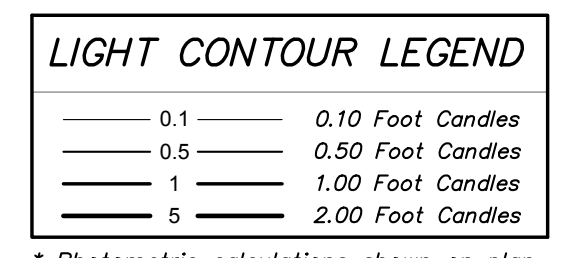
Product Description
The Cree Edge™ wall mount luminaire has a slim, low profile design. The luminaire and cap are made from rugged die cast aluminum with integral, weatheright LED driver compartments and high performance aluminum heat sinks specifically designed for LED applications. Housing is rugged aluminum, includes a lightweight mounting base for installation over standard and non-ring single gang J-Boxes. Secured to wall with four 3/16" (4.8mm) screws (by other). Corrosion entry from top, bottom, sides and rear. Allows mounting for vertical or downward. Designed and approved for easy through-roofing. Includes lead/cable glands.
Applications: General area and security lighting

Performance Summary

- Patented NanoShield™ Product Technology
- Assembled in the U.S.A. of U.S. and imported parts
- CRI: Minimum 70 CRI
- CCT: 4000K (+/- 500K), 5000K (+/- 500K) standard
- Limited Warranty: 10 years on luminaire/10 years on Colorfast DeluxGuard™ finish

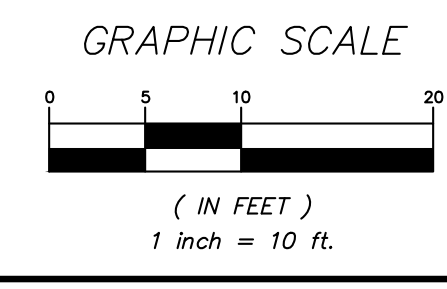


Symbol	Qty	Catalog Number	Description	Lamp	Mounting Height
▲	1	ARE-EDC-4M-DA-06-E-UL-WH-700	Cree Post Mounted Area Light	LED	16' - 0"
■	6	CPY250-A-DM-F-B-UL-WH	Cree Recessed Canopy Light	LED	15' - 0"
■	3	SEC-EDC-3M-W-06-E-UL-WH-700	Cree Wall Mounted Light	LED	10' - 0"



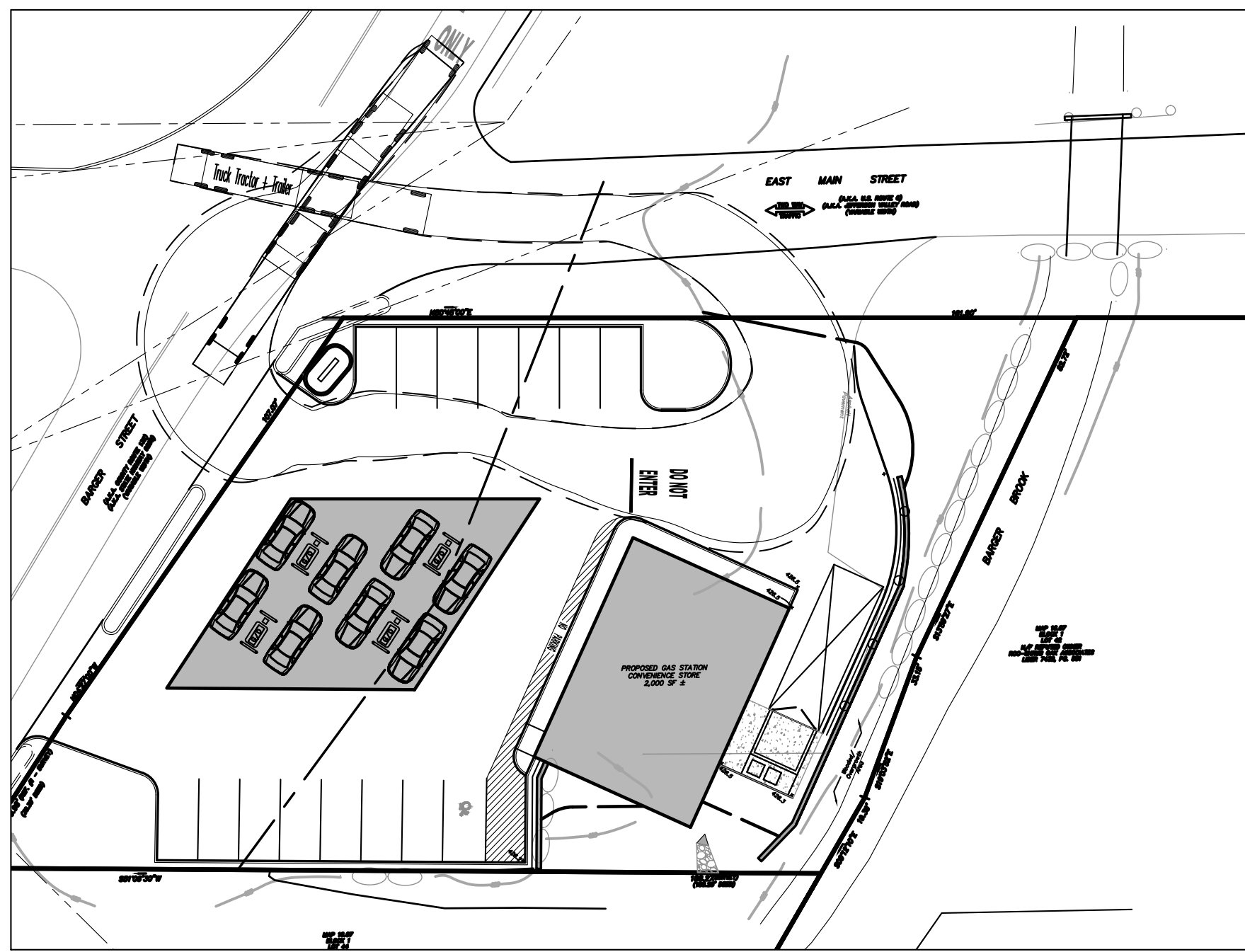
- LIGHTING NOTES:**
- All lighting shall be as noted on the plan or approved equal.
 - Style and finish of all luminaires to be selected by owner and approved by the Planning Board.
 - Pole mounted lights will be on photocells and will run from dusk to dawn.
 - Light fixtures & lighting layout is preliminary, and is based on a previously approved site plan. Final lighting will be determined with the architectural design of the pump canopy.

* Photometric calculations shown on plan are in foot candles.



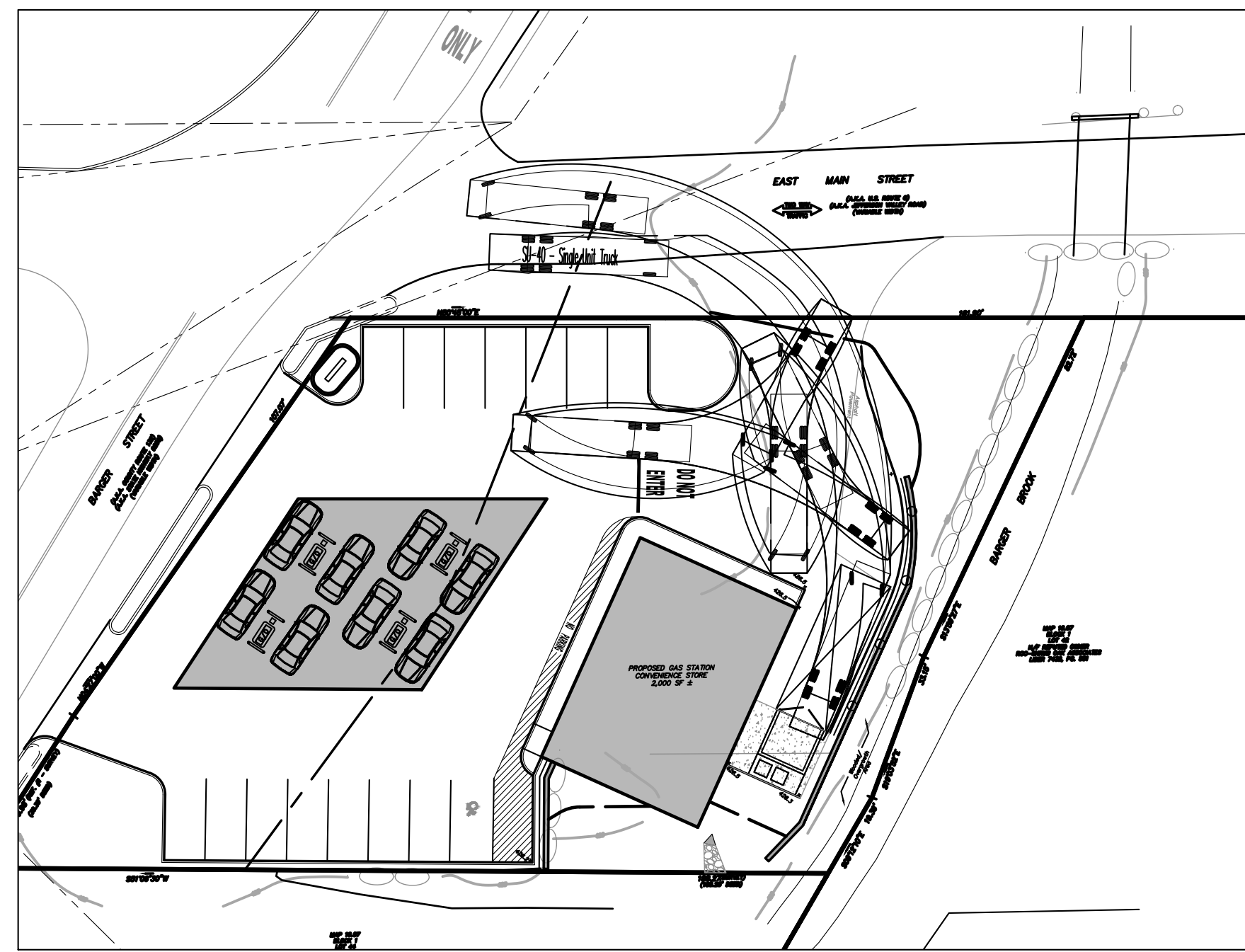
1	12-16-19	RESUBMISSION TO TOWN	G.A.M.
REVISION			BY
INSITE ENGINEERING, SURVEYING & LANDSCAPE ARCHITECTURE, P.C.			
PROJECT: NY FUEL DISTRIBUTORS			
DRAWING: LIGHTING PLAN			
PROJECT NUMBER: 19195.100	PROJECT MANAGER: R.D.W.	DRAWING NO.: LP-1	SHEET: 5
DATE: 10-8-19	DRAWN BY: A.D.T.	CHECKED BY: R.D.W.	8
SCALE: 1" = 10'			

ALTERATION OF THIS DOCUMENT, UNLESS UNDER THE DIRECTION OF A LICENSED PROFESSIONAL ENGINEER, IS A VIOLATION OF SECTION 2209 OF ARTICLE 145 OF THE EDUCATION LAW.



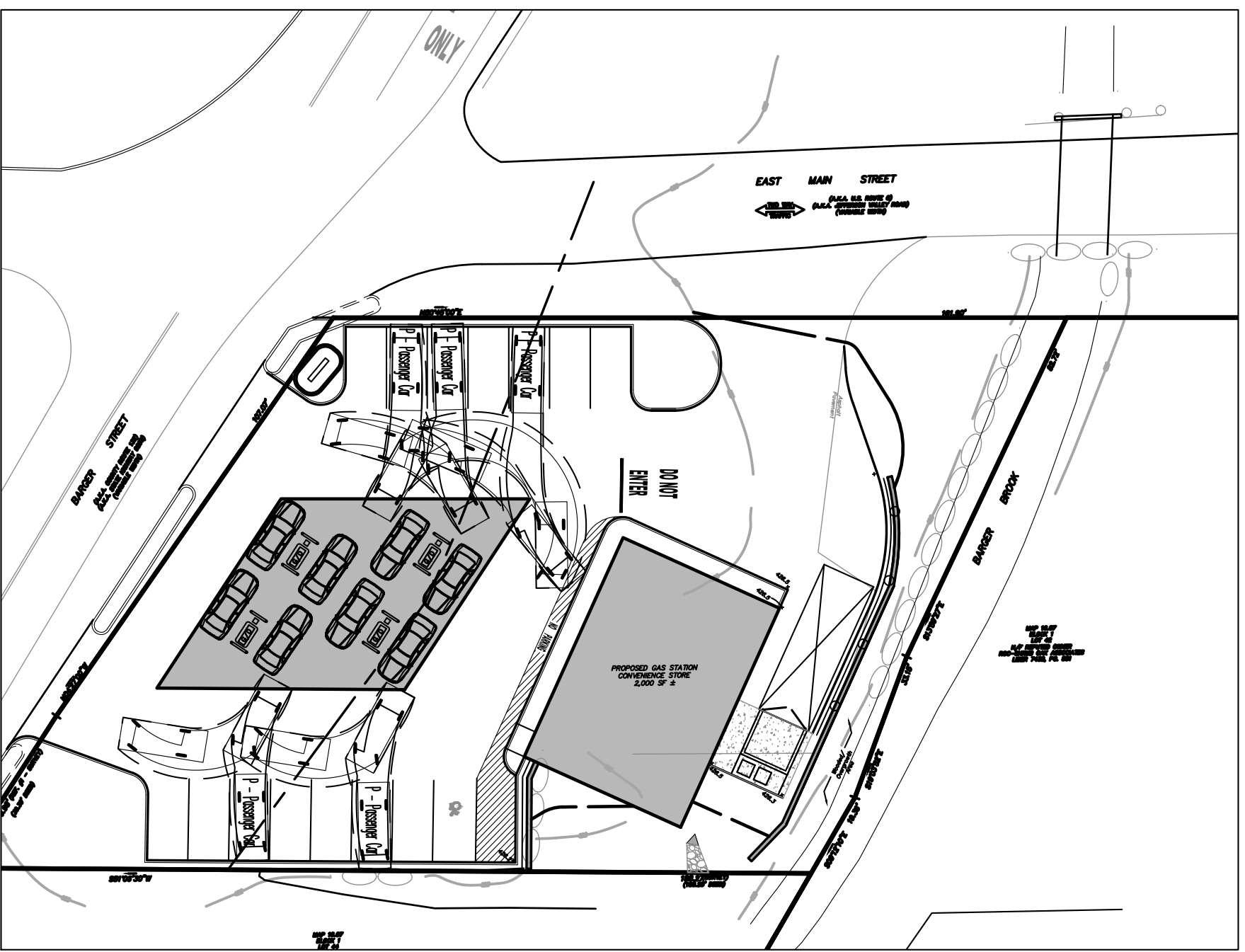
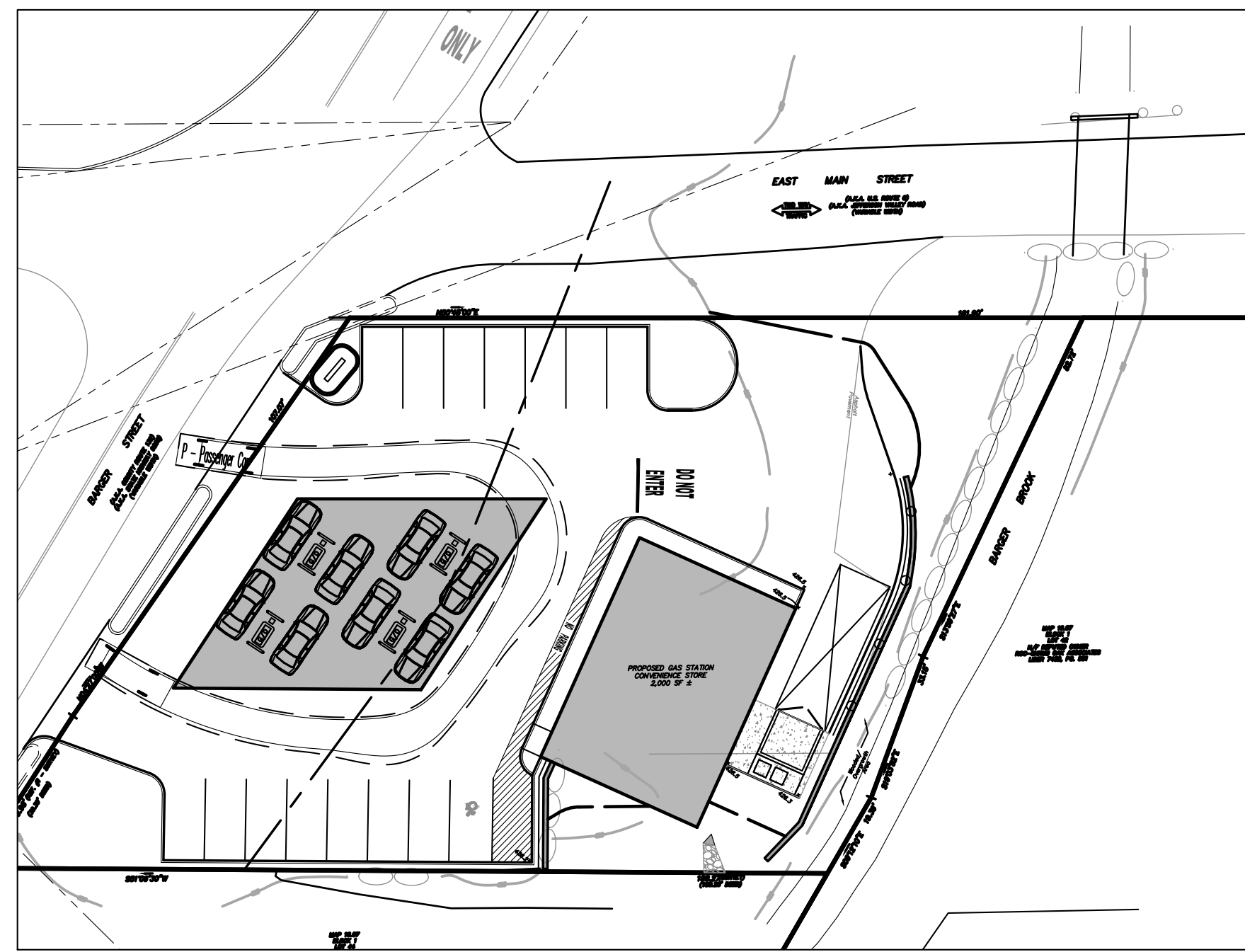
VEHICLE MANEUVERING FUEL DELIVERY TRUCK

SCALE: 1"=30'
NOTE: VEHICLE MANEUVERING BASED ON 57' x 9' W TRACTOR TRAILER



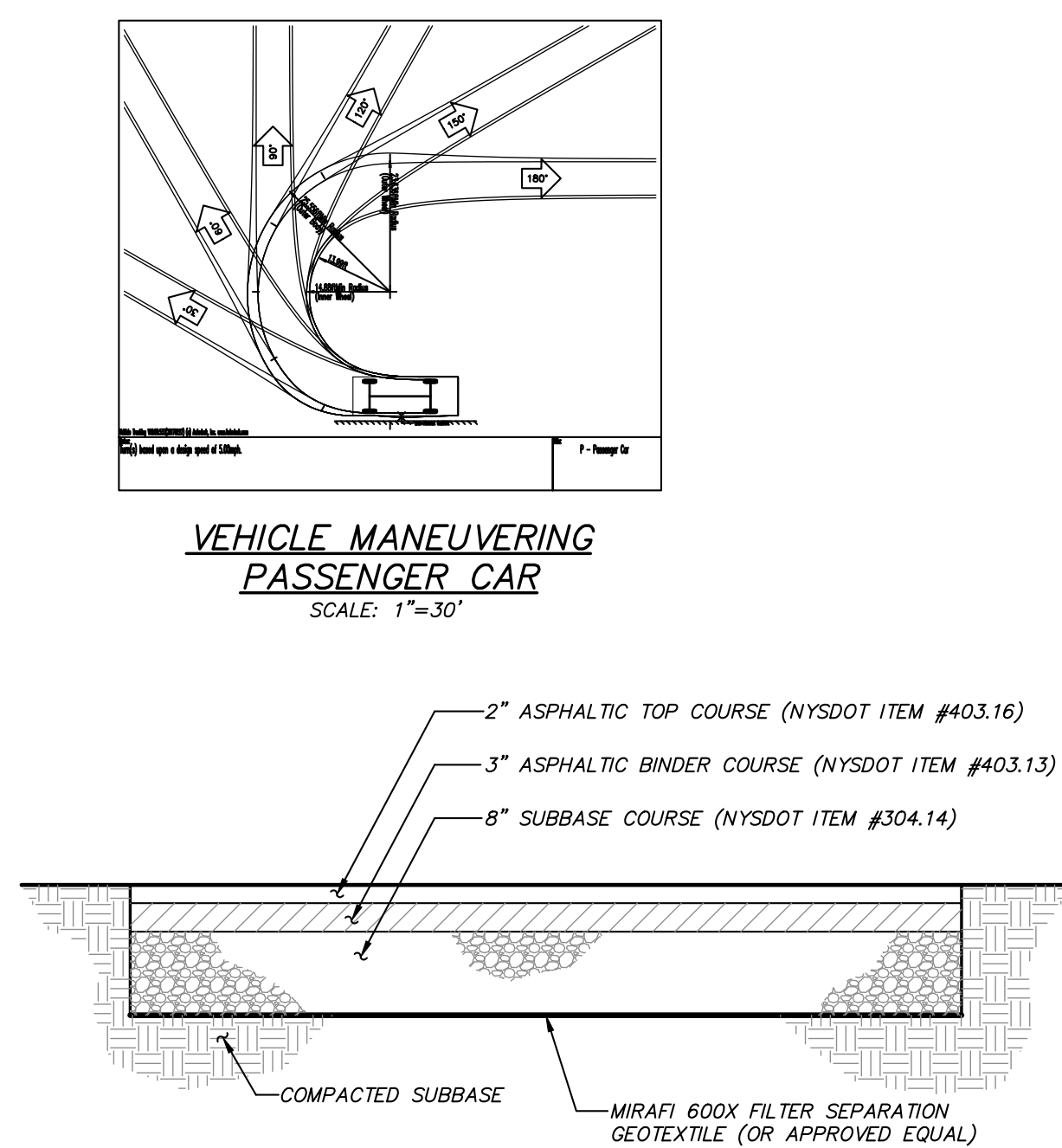
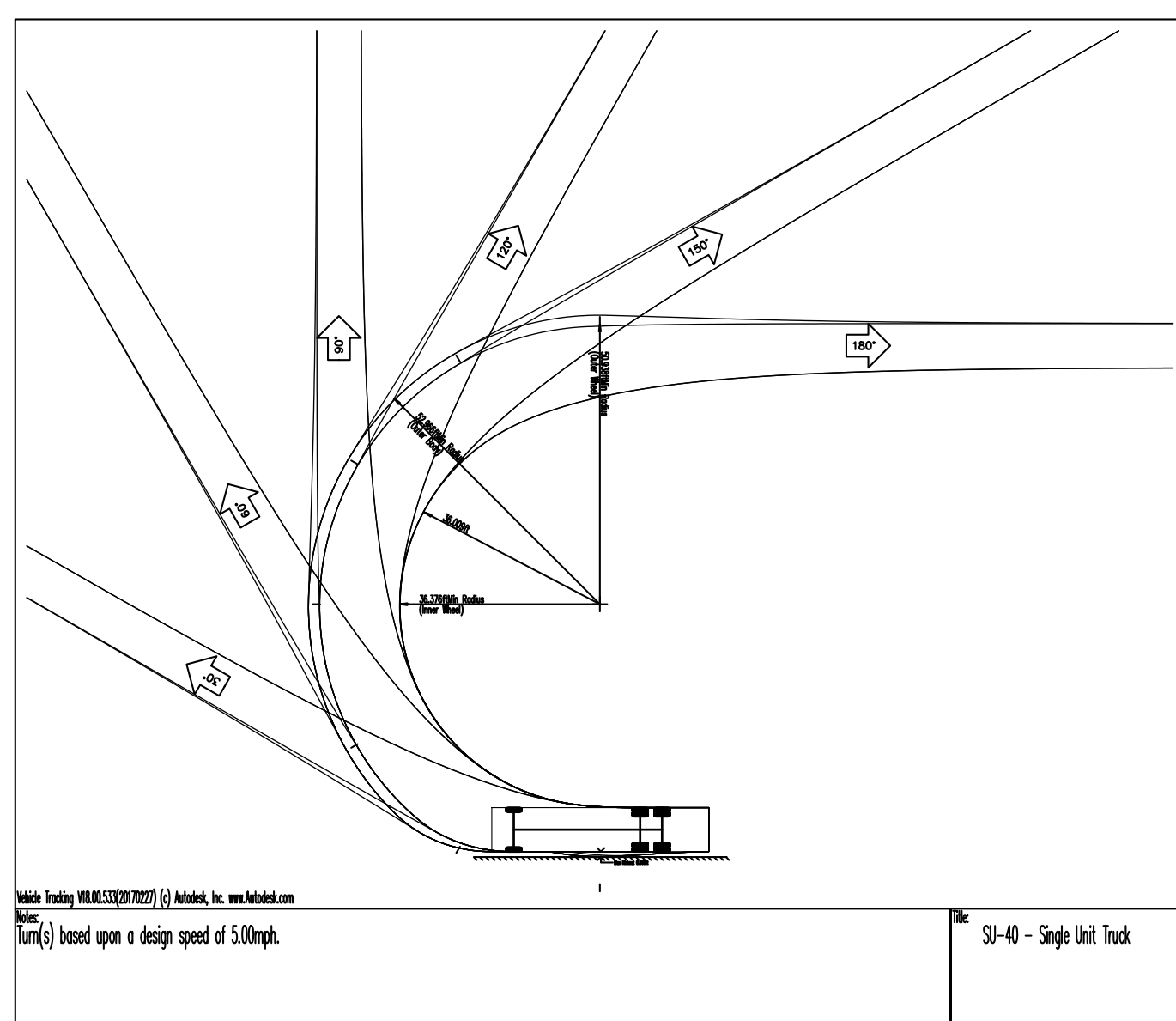
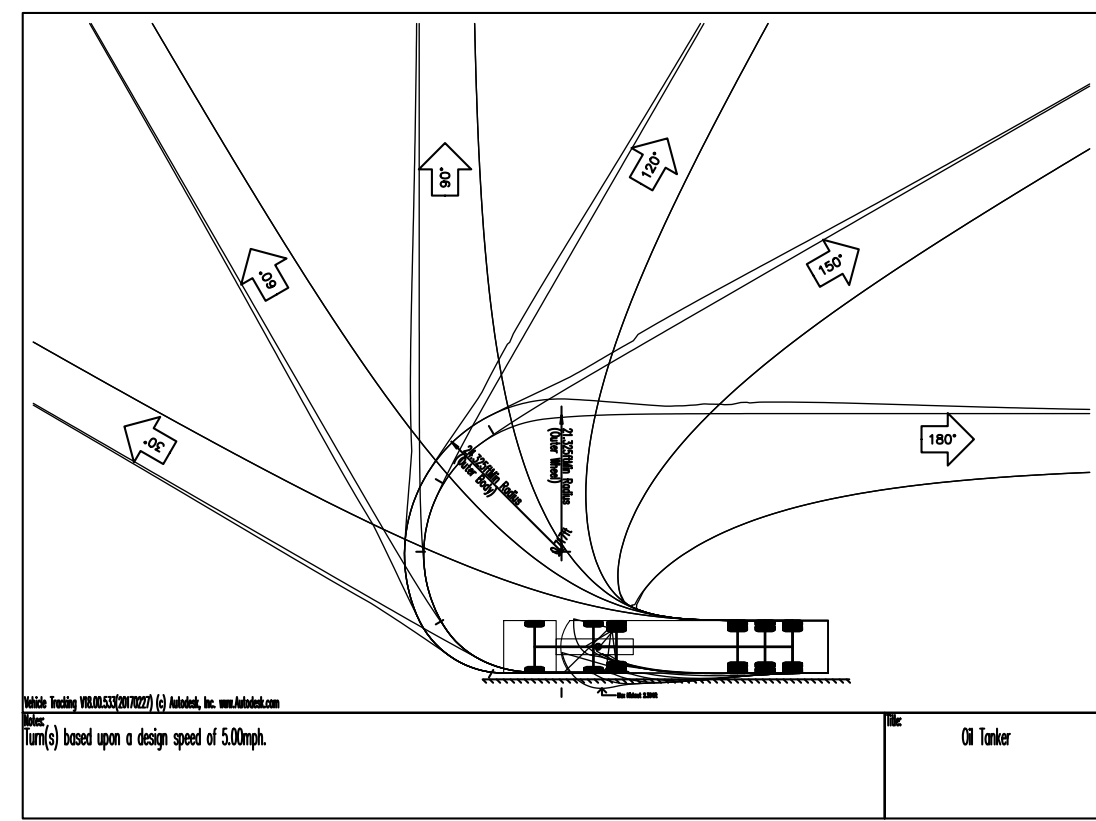
VEHICLE MANEUVERING PASSENGER CAR

SCALE: 1"=30'



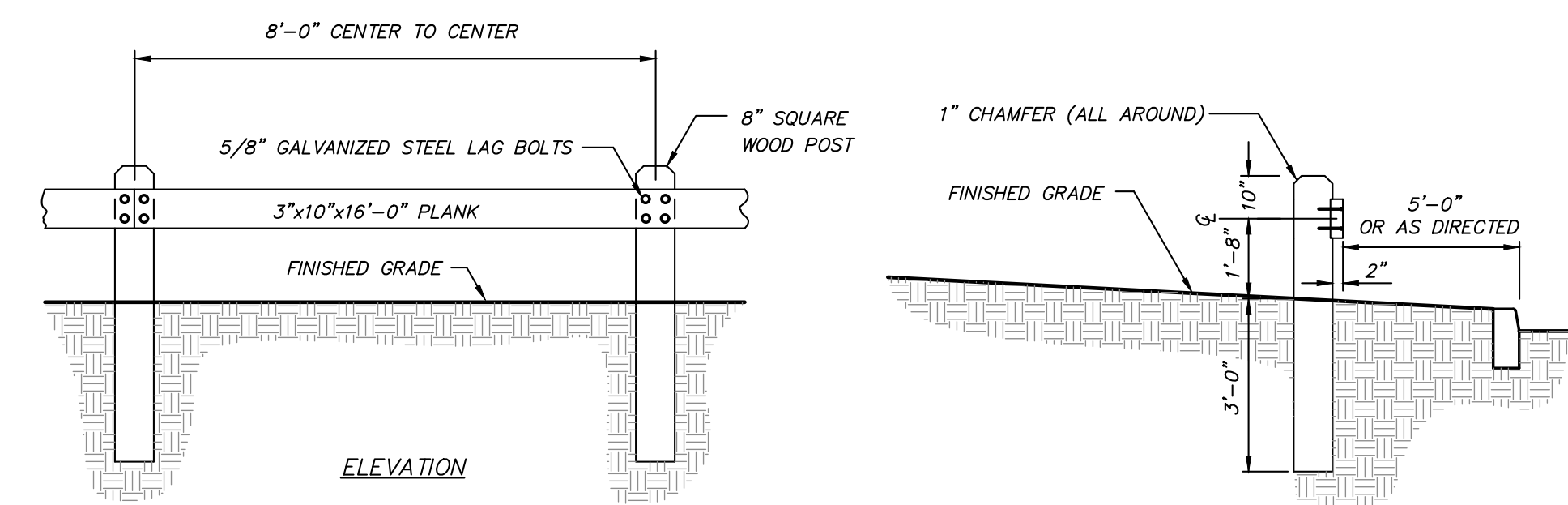
VEHICLE MANEUVERING PASSENGER CAR

SCALE: 1"=30'



ASPHALT PAVEMENT DETAIL

(N.T.S.)



WOOD GUIDE RAIL DETAIL

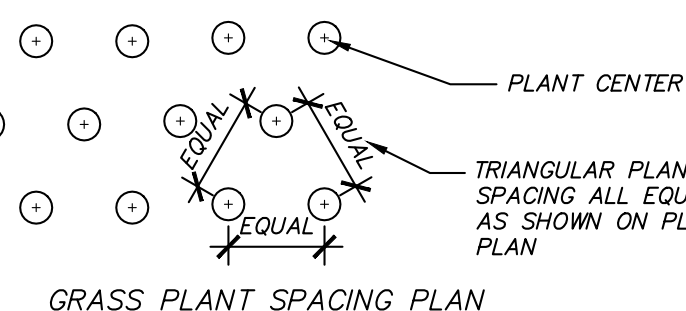
(N.T.S.)

- NOTES:
- ALL WOOD TO BE SEASONED NO.1 DOUGLAS FIR, SOUTHERN PINE OR OTHER APPROVED STRUCTURAL LUMBER.
 - ALL WOOD TO BE TREATED WITH AN APPROVED WOOD PRESERVATIVE SUITABLE FOR INSTALLATION IN AND ADJACENT TO GROUND SURFACES.

GENERAL SITE SEEDING NOTES:

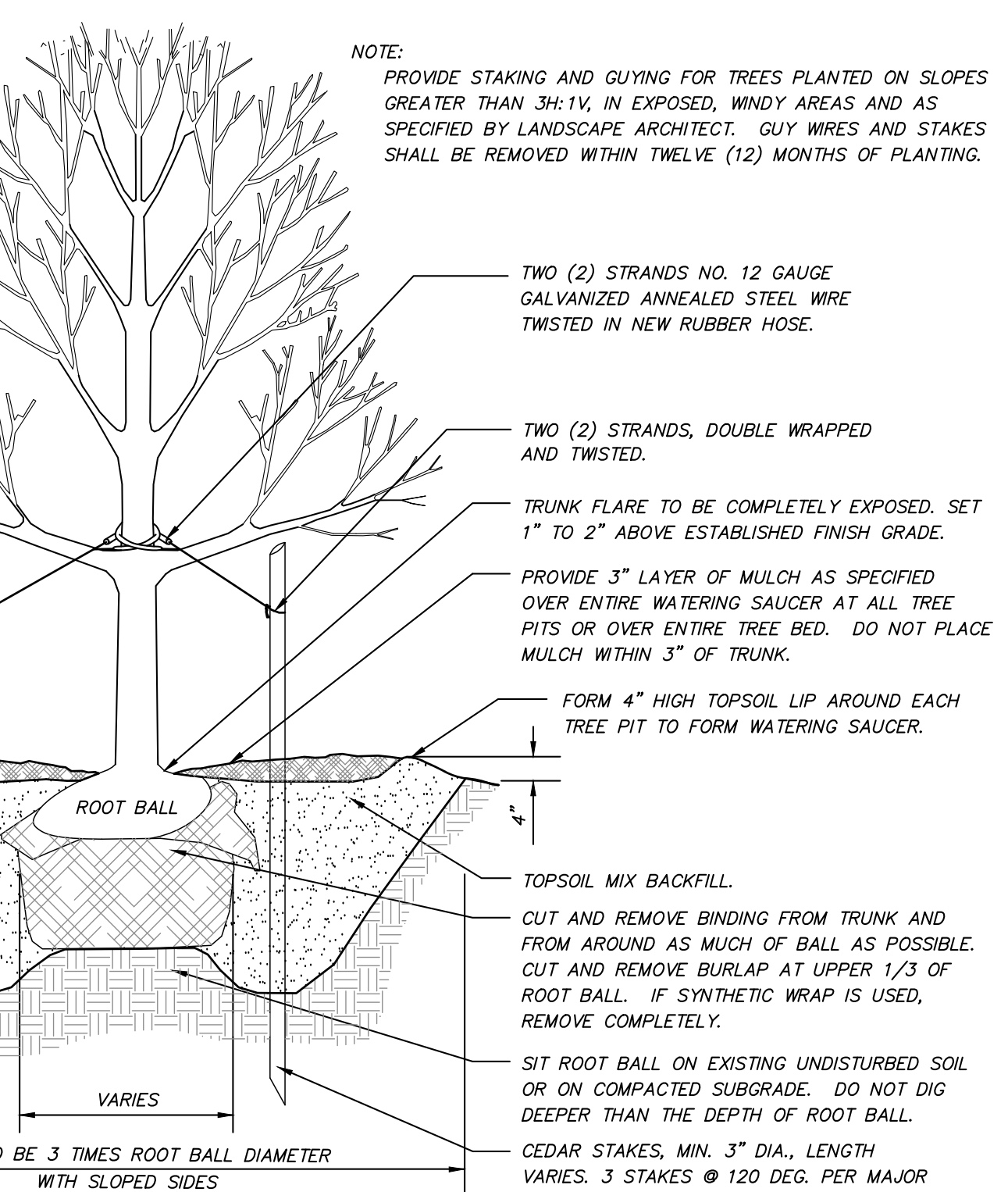
- All proposed seeded areas to receive 4" min. depth of topsoil. Soil amendments and fertilizer application rates shall be determined based on specific testing of topsoil material. Topsoil shall be placed using a method that will not cause compaction.
- Upon final grading and placement of topsoil and any required soil amendments, areas to receive permanent vegetation cover in combination with suitable mulch as follows:
 - select seed mixture per drawings and seeding notes.
 - fertilizer applied at the manufacturer's recommended rate using a 10-10-10 seed starter fertilizer or equivalent.
 - no fertilizer is to be used in stormwater basins. Nutrient requirements shall be met by incorporation of acceptable organic matter.
 - mulch: soft hay or small grain straw applied at a rate of 90 lbs./1000 s.f. or 2 tons/acre, to be applied and anchored according to New York State Standards and Specifications for Erosion and Sediment Control, August 2005.
 - if the season prevents the establishment of a permanent vegetation cover, the disturbed areas will be mulched with straw or equivalent.
- Seeding should begin immediately upon completion of finish grading and seed bed preparation while soil is still friable and before weeds can emerge. If seeding area is created or compacted, it should be loosened by digging or tilling. If weeds are present, they should be mowed short and removed or tilled under before seed is applied.
- Seed mixture #5 shall be planted between March 21 and May 20, or between August 15 and October 15 or as directed by project representative. The seed mixes as specified on these drawings are as follows:
 - A. Seed mix for lawn areas at a rate of 100 lbs. per acre:
 - Kentucky Bluegrass 20%
 - Creeping Red Fescue 40%
 - Perennial Ryegrass 20%
 - Annual Ryegrass 20%
 - B. Temporary Seed Mix for temporary seeding shall be annual or perennial ryegrass in spring, summer or early fall, at a rate of 30 lbs. per acre or winter rye (cereal rye) in late fall or early winter at a rate of 100 lbs. per acre.
 - C. Seed mixture #4 for meadow areas, including wetland buffer mitigation areas, and side slopes and berms of pocket wetlands and sand filter shall be Native Upland Wildlife Forage & Cover Meadow Mix (ERNM-123) at a rate of 20 lbs. per acre, from Ernst Conservation Seeds of Middletown, PA.
 - D. Seed mixture #3 for sand filter bottom shall be New England Native Warm Season Grass Mix at a rate of 25 lbs. per acre, from New England Wetland Plants of Amherst, MA.
 - E. Seed mixture #2 for street side of swale shall be New England Wildflower Mix at a rate of 25 lbs. per acre, from New England Wetland Plants of Amherst, MA.
 - F. Seed mixture #1 for back side of swale shall be New England Showy Wildflower Mix at a rate of 25 lbs. per acre, from New England Wetland Plants of Amherst, MA.

- PLANTING NOTES:**
- All proposed planting beds to receive a 12" min. depth of topsoil. Soil amendments and fertilizer application rates shall be determined based on specific testing of topsoil material.
 - Any new soils created will be amended as required by results of soil testing and placed using a method that will not cause compaction.
 - No fertilizer shall be added in stormwater basin plantings. Nutrient requirements to be met by incorporation of acceptable organic matter.
 - All plant material to be nursery grown.
 - Plants shall conform with ANSI Z60.1 American Standard for Nursery Stock in all ways including dimensions.
 - Plant material shall be taken from healthy nursery stock.
 - All plants shall be grown under climate conditions similar to those in the locality of the project.
 - Plants shall be planted in all locations designed on the plan or as staked in the field by the Landscape Architect.
 - The location and depth of landscape plants shown on the site plan shall take precedence in any discrepancies between the quantities of plants shown on the plans and the quantity of plants in the Plant List.
 - Provide a 3" layer of shredded bark mulch (or as specified) over entire watering saucer of all tree pits or over entire planting bed. Do not place mulch within 3" of tree or shrub trunks.
 - All landscape plantings shall be maintained in a healthy condition at all times. Any dead or diseased plants shall immediately be replaced "in kind" by the contractor (during warranty period) or project owner.



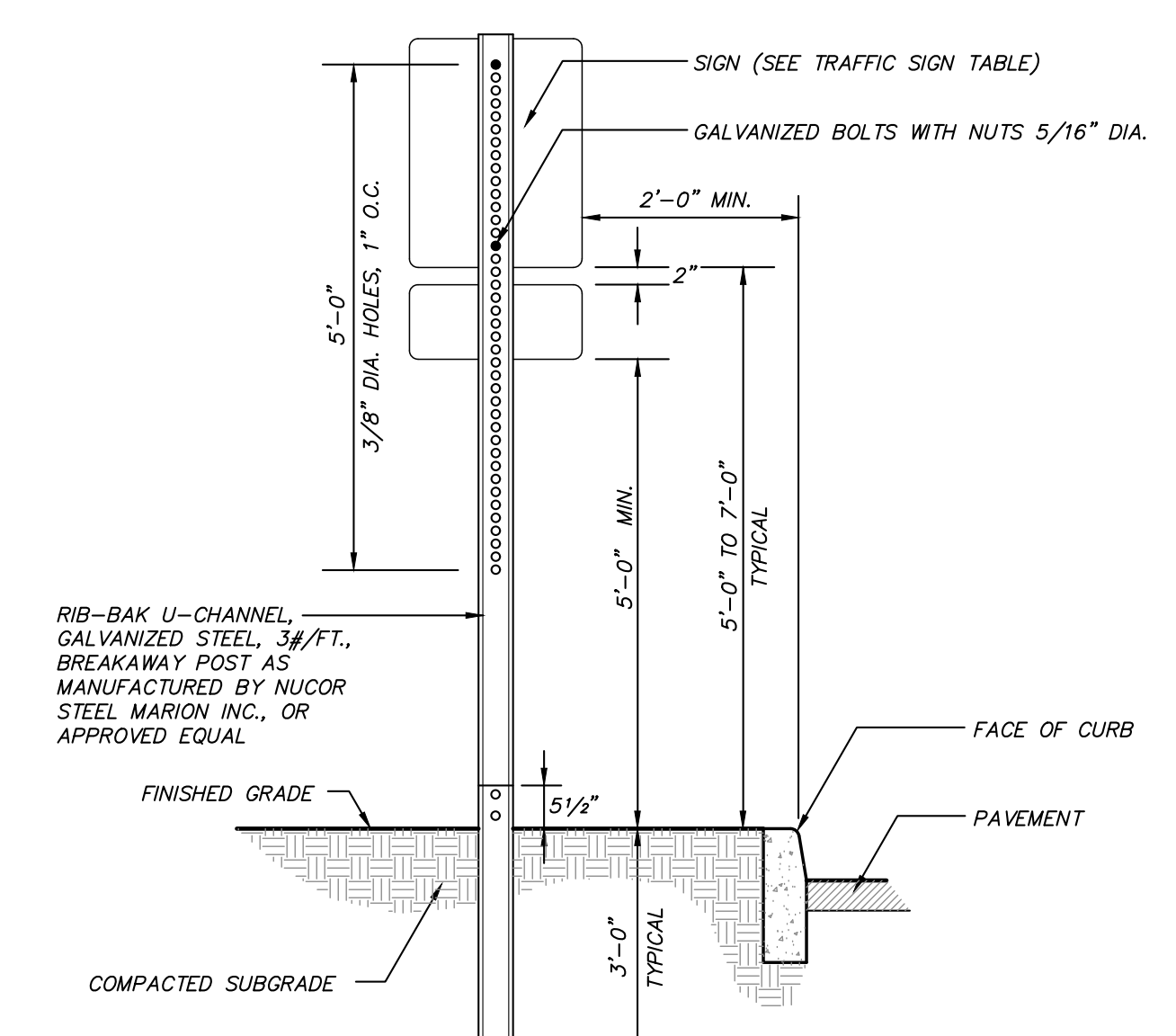
PERENNIAL / ORNAMENTAL GRASS PLANTING DETAIL

(N.T.S.)



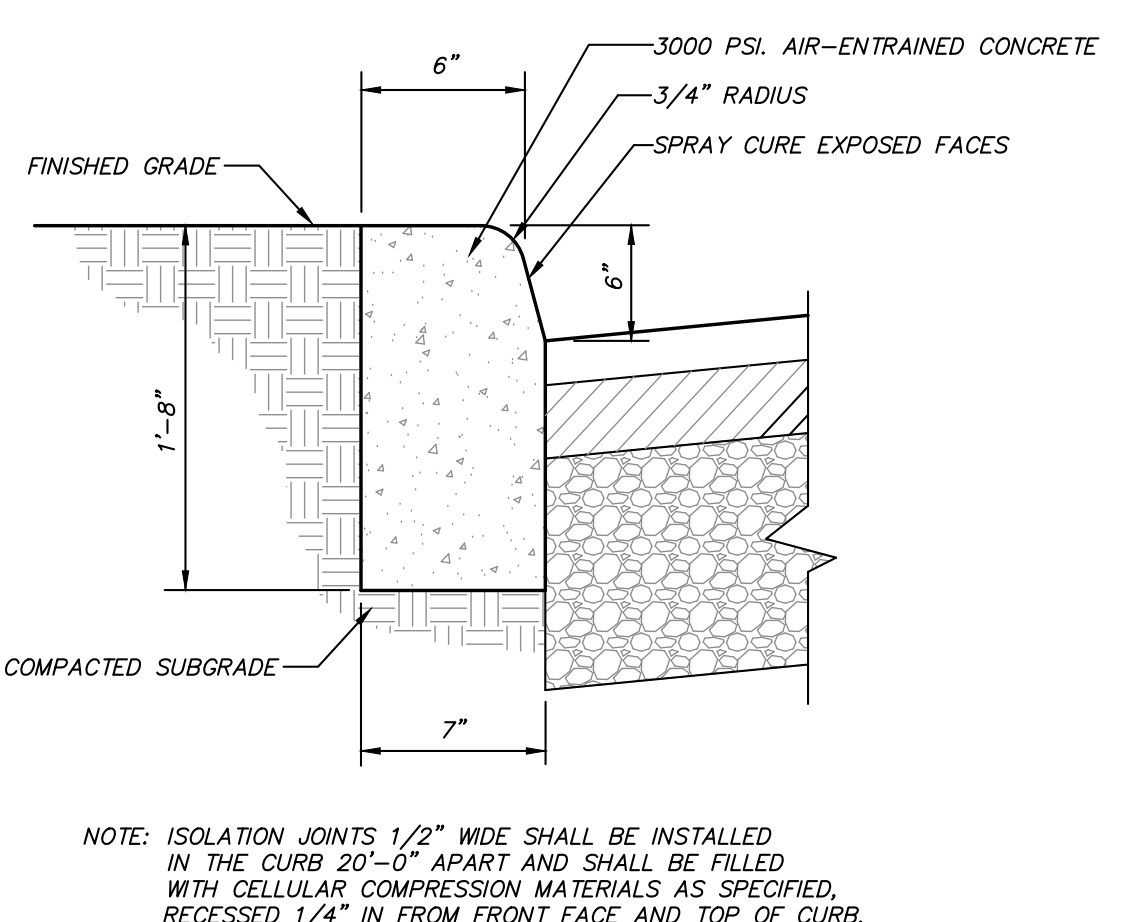
TREE PLANTING DETAIL

(N.T.S.)



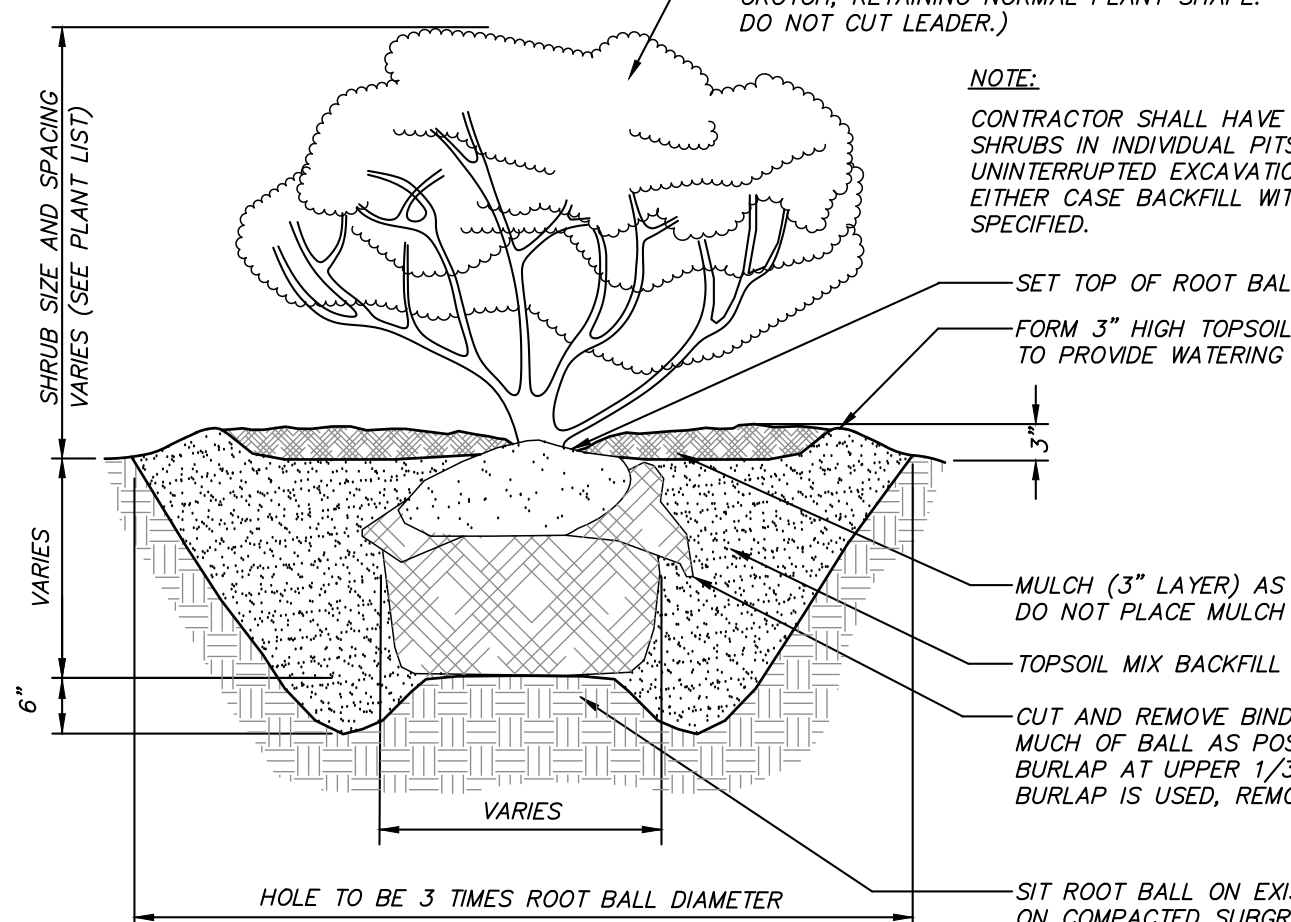
TRAFFIC SIGN DETAIL

(N.T.S.)



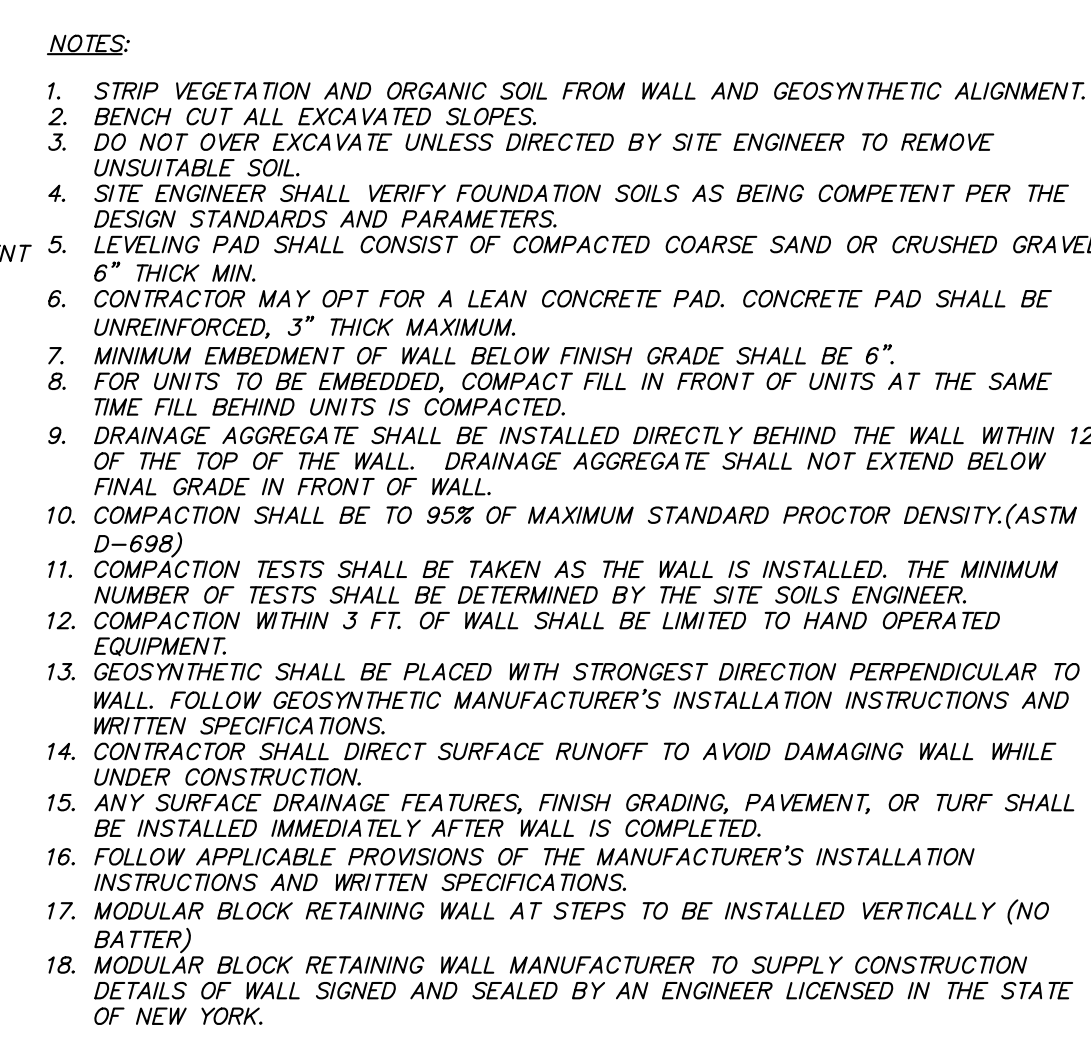
CONCRETE CURB DETAIL

(N.T.S.)



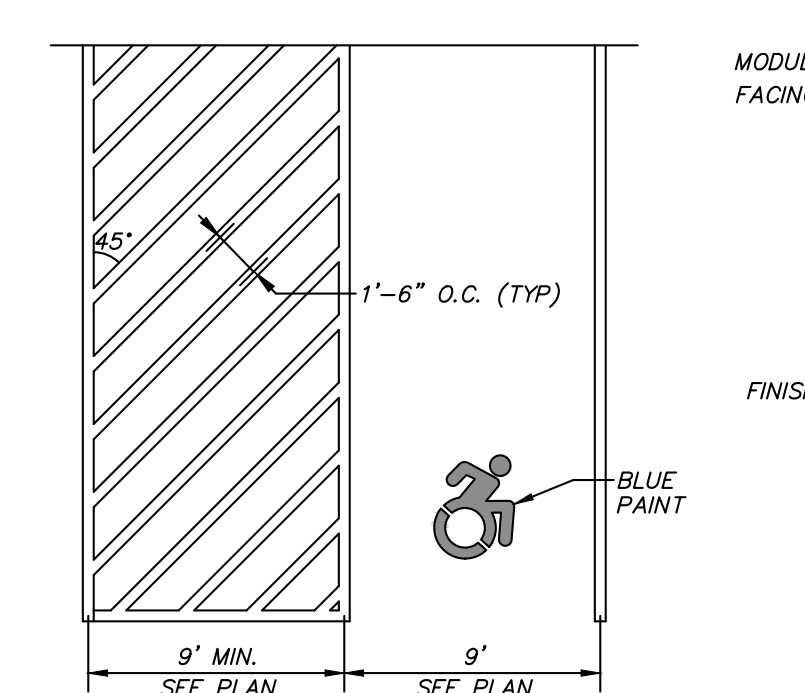
SHRUB PLANTING DETAIL

(N.T.S.)



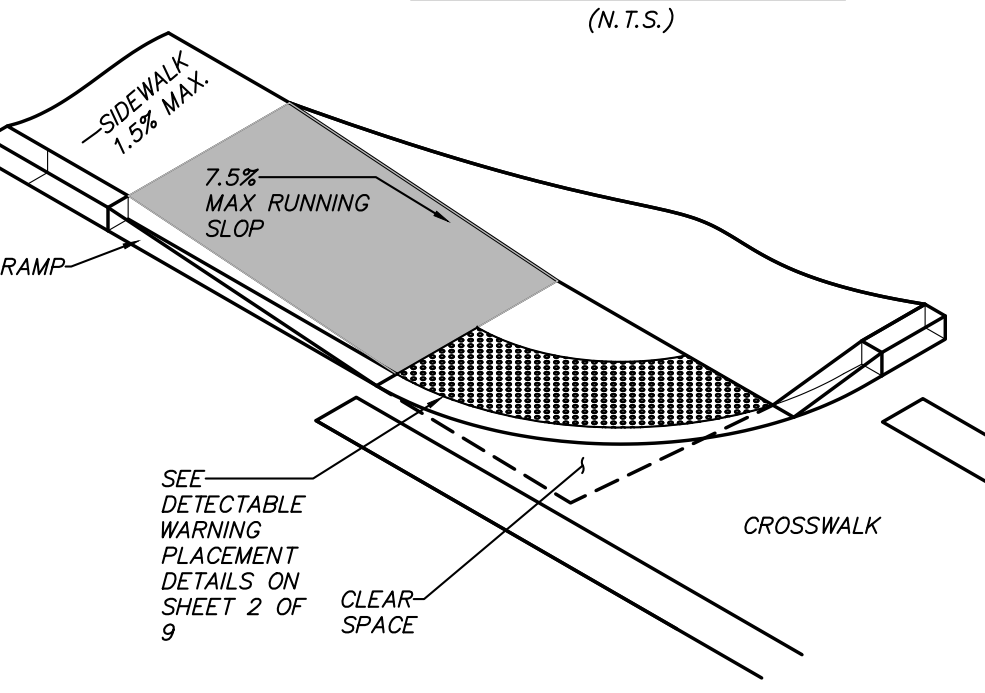
MODULAR BLOCK RETAINING WALL DETAIL

(N.T.S.)



PAINTED ACCESSIBLE PARKING DETAIL

(N.T.S.)



CURB RAMP CONFIGURATION: TYPE 1

(N.T.S.)

NO.	DATE	REVISION	BY
1	12-16-19	RESUBMISSION TO TOWN	G.A.M.

INSITE
ENGINEERING, SURVEYING & LANDSCAPE ARCHITECTURE, P.C.

3 Garrett Place
Carmel, NY 10512
(845) 225-9690
(845) 225-9717 fax
www.insite-eng.com

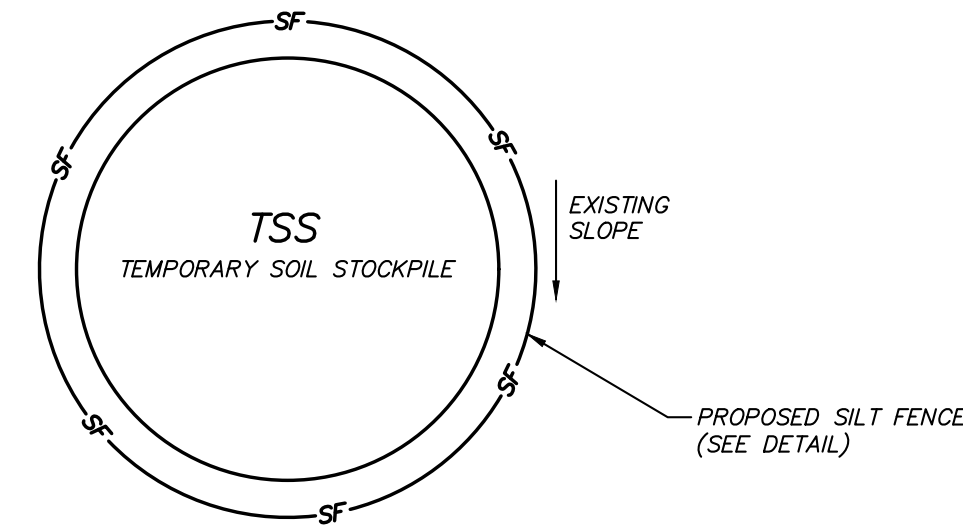
PROJECT: NY FUEL DISTRIBUTORS

3700 BARGER STREET, TOWN OF YORKTOWN, WESTCHESTER COUNTY

DRAWING: DETAILS

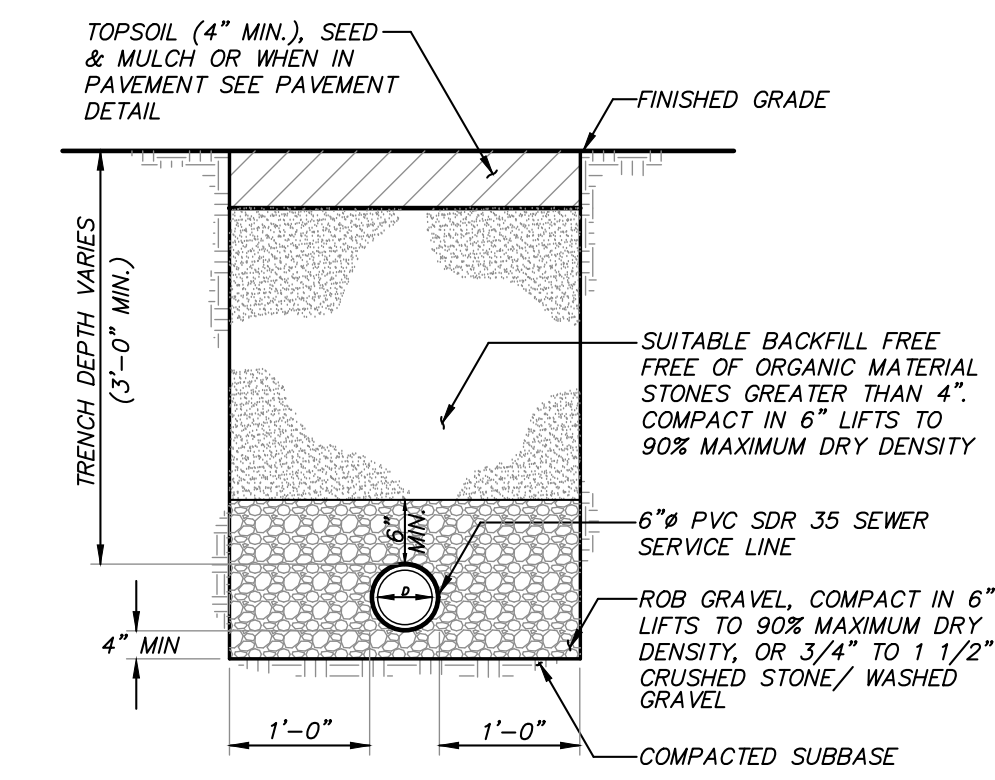
PROJECT NUMBER	PROJECT MANAGER	R.D.W.	DRAWING NO.	SHEET
19195.100	10-8-19	K.A.M.	D-1	6

SCALE: N.T.S. CHECKED BY: R.D.W.

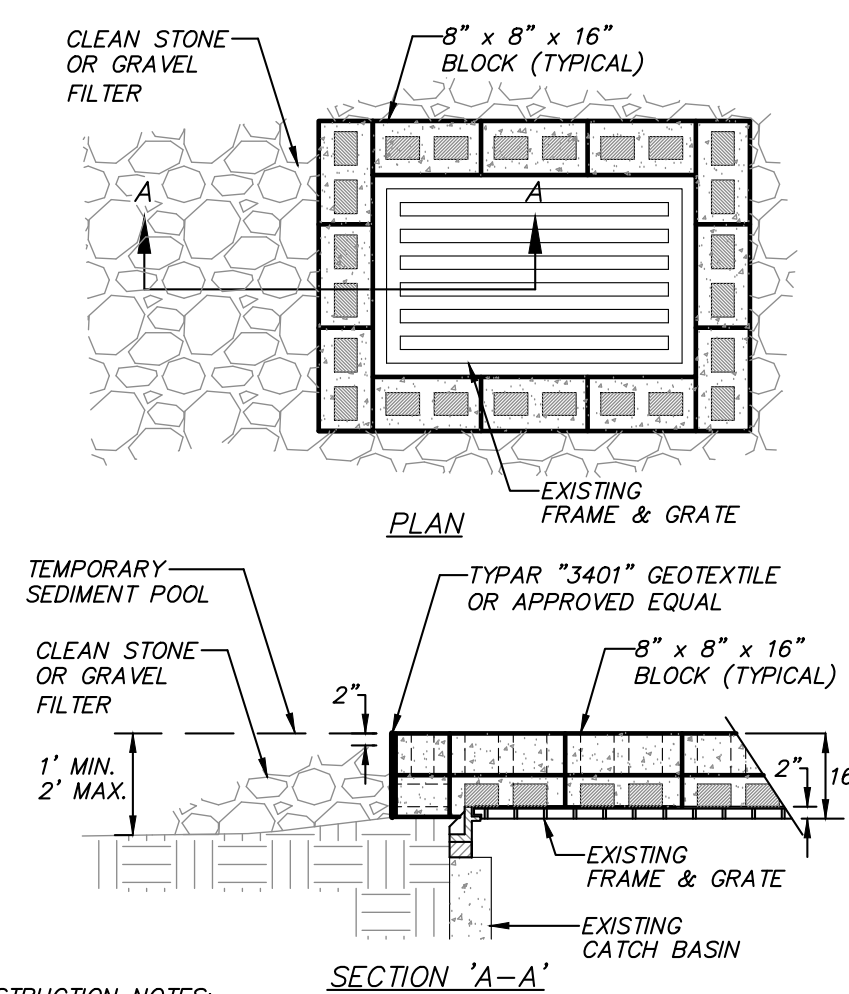


- NOTES:**
1. AREA CHOSEN FOR STOCKPILE LOCATION SHALL BE DRY AND STABLE.
 2. MAXIMUM SLOPE OF STOCKPILE SHALL BE 2:1.
 3. UPON COMPLETION OF SOIL STOCKPILING, EACH PILE SHALL BE IMMEDIATELY SEEDED WITH K-31 PERENNIAL TALL FESCUE.
 4. ALL STOCKPILES SHALL BE PROTECTED WITH SILT FENCING INSTALLED ON THE DOWNGRADIENT SIDE.

TEMPORARY SOIL STOCKPILE DETAIL
(N.T.S.)

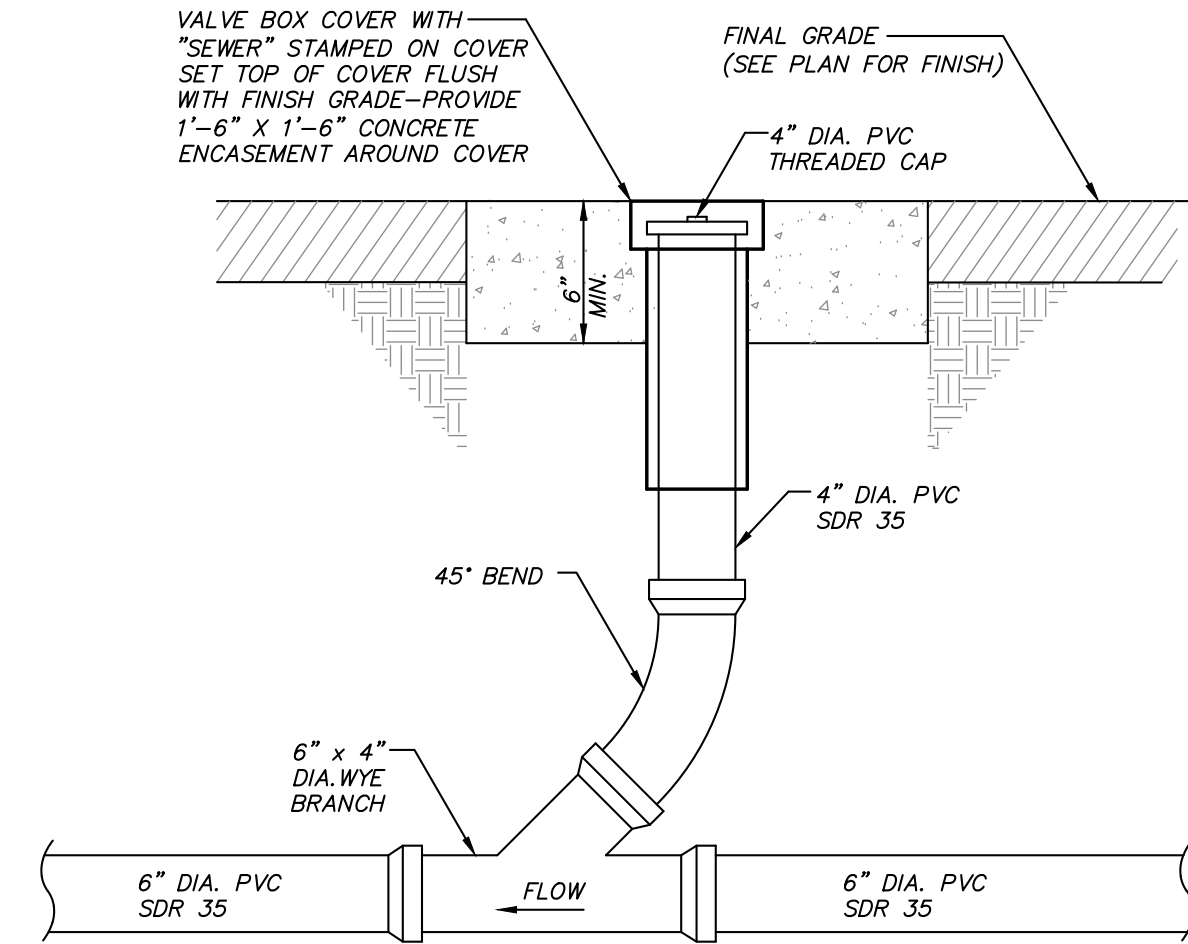


SEWER SERVICE LINE TRENCH DETAIL
(N.T.S.)

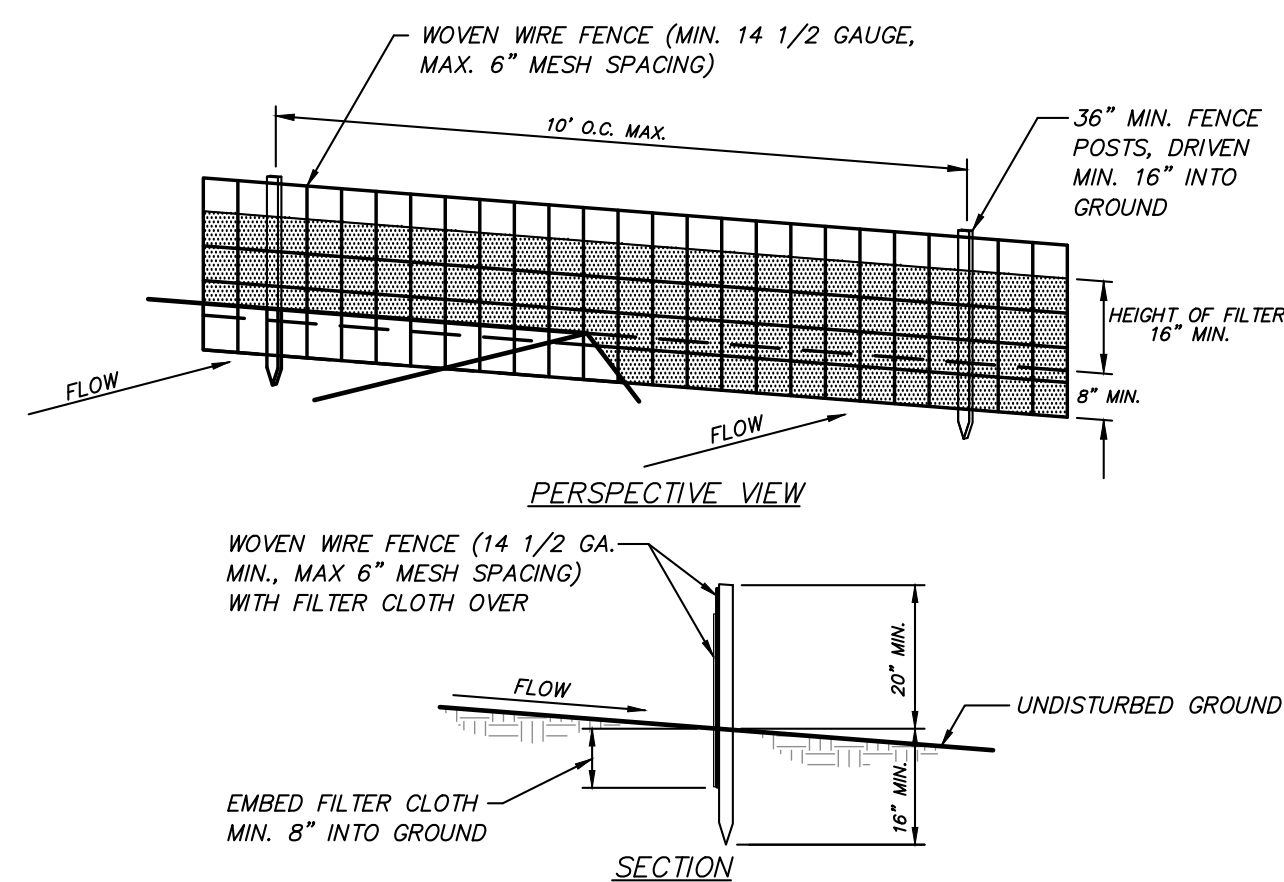


- CONSTRUCTION NOTES:**
1. LAY ONE LAYER OF BLOCKS ON EACH SIDE OF THE STRUCTURE ON THEIR SIDES FOR DEWATERING. EDGES OF BLOCK SHALL BE 2 INCHES MINIMUM BELOW THE GRATE. BLOCKS SHALL BE PLACED AGAINST THE INLET FOR SUPPORT. PLACE A SECOND LAYER OF BLOCKS ON TOP OF THE FIRST LAYER WITH HOLES FACE UP.
 2. GEOTEXTILE SHALL BE PLACED OVER BLOCK OPENINGS TO SUPPORT STONE.
 3. USE CLEAN STONE OR GRAVEL 1/2 TO 3/4 INCH IN DIAMETER PLACED ON A 2% MIN. SLOPE OR FLATTER, TO WITHIN 2 INCHES OF THE TOP OF THE BLOCKS.

STONE AND BLOCK DROP INLET PROTECTION AT EXISTING DRAIN INLET DETAIL
(N.T.S.)

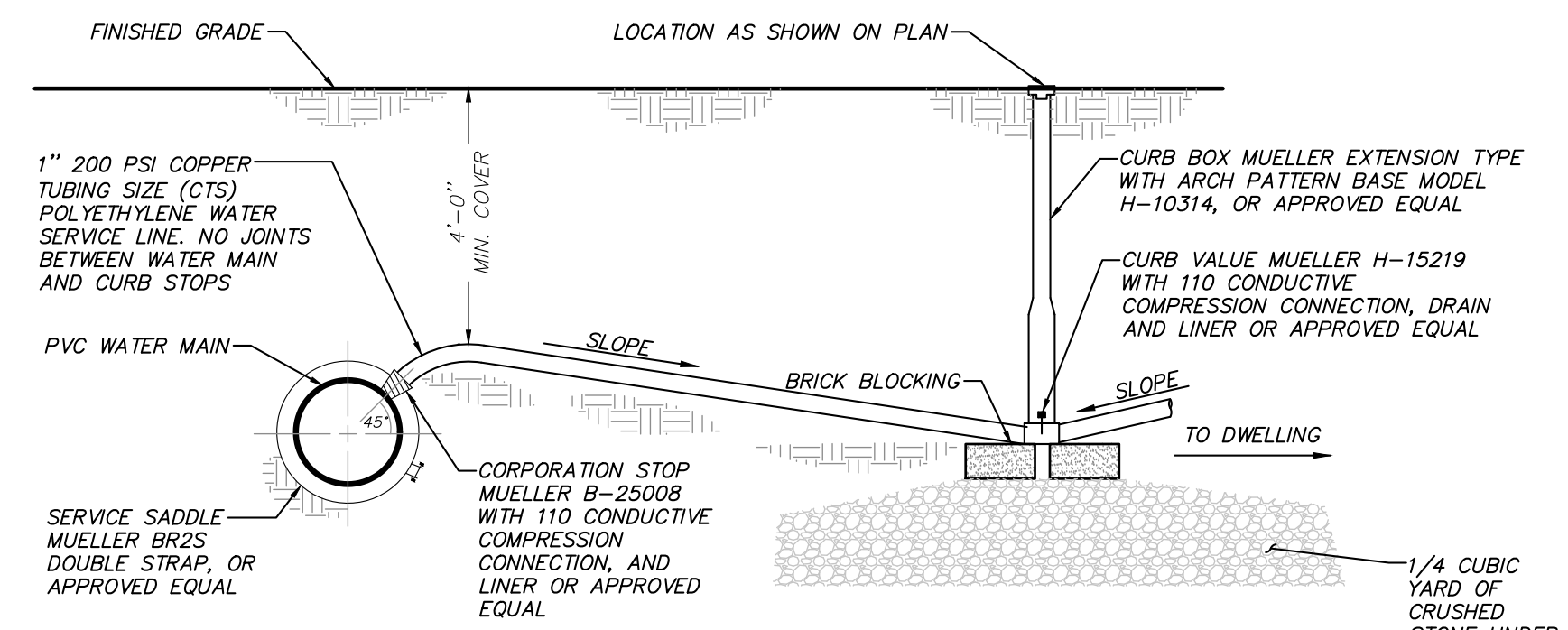


SEWER LINE CLEANOUT DETAIL
(N.T.S.)



- CONSTRUCTION NOTES FOR FABRICATED SILT FENCE:**
1. WOVEN WIRE FENCE TO BE FASTENED SECURELY TO FENCE POSTS WITH WIRE TIES OR STAPLES.
 2. FILTER CLOTH TO BE FASTENED SECURELY TO WOVEN WIRE FENCE WITH TIES SPACED EVERY 24" AT TOP AND MID SECTION.
 3. WHEN TWO SECTIONS OF FILTER CLOTH ADJOIN EACH OTHER THEY SHALL BE OVERLAPPED BY SIX INCHES AND FOLDED.
 4. MAINTENANCE SHALL BE PERFORMED AS NEEDED AND MATERIAL REMOVED WHEN "BULGES" DEVELOP IN THE SILT FENCE.

SILT FENCE WITH WIRE MESH DETAIL
(N.T.S.)



PE WATER SERVICE LINE CONNECTION TO PVC WATER MAIN DETAIL
(N.T.S.)

- NOTE:**
1. PROVIDE 2" MINIMUM SEPARATION DISTANCE FROM CORPORATION STOP TO OTHER CORPORATION STOPS, VALVES, PIPE JOINTS OR FITTINGS.

NO.	DATE	REVISION	RESUBMISSION TO TOWN	G.A.M.
1	12-16-19			
				BY

INSITE
ENGINEERING, SURVEYING & LANDSCAPE ARCHITECTURE, P.C.

3 Garrett Place
Carmel, NY 10512
(845) 225-9690
(845) 225-9717 fax
www.insite-eng.com

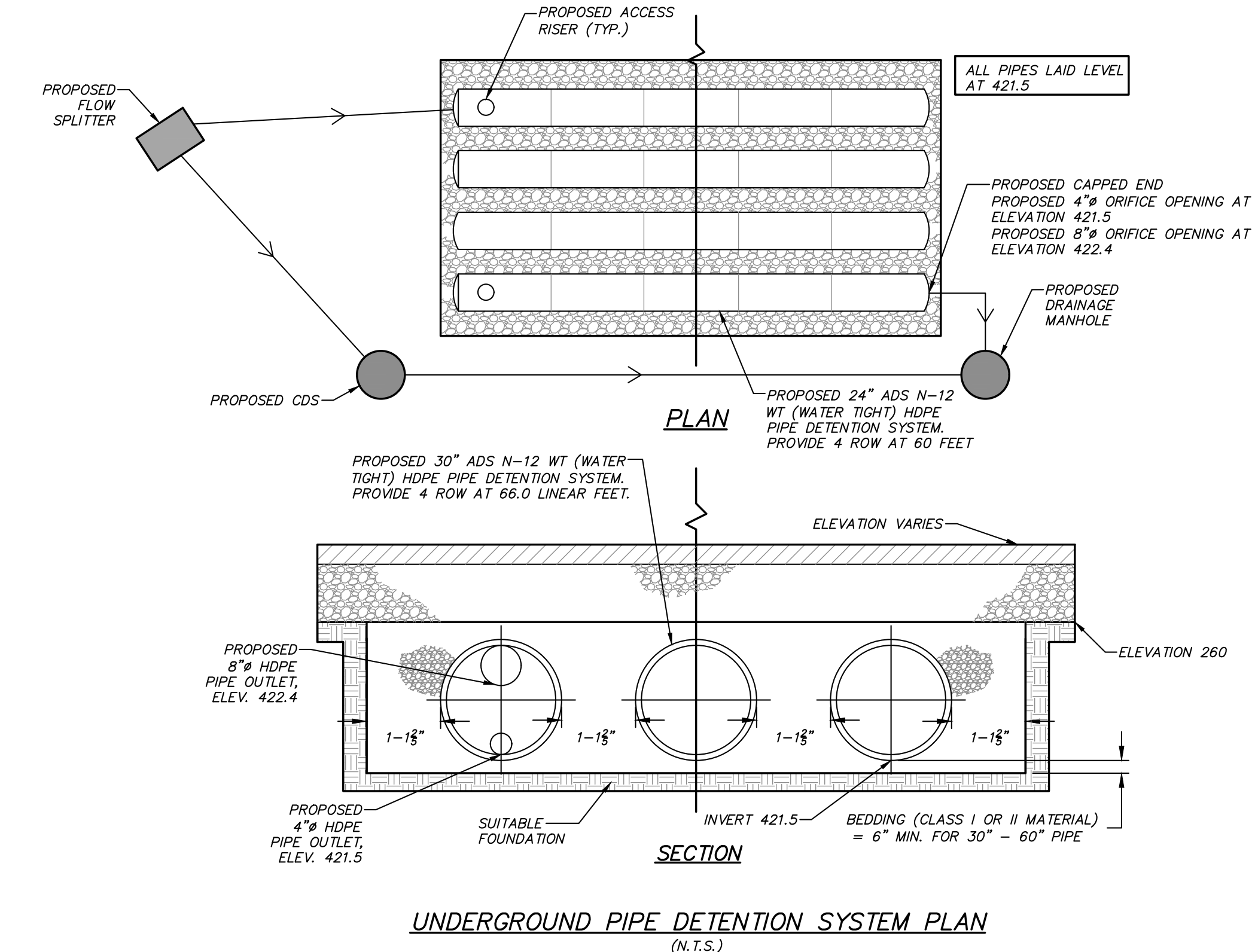
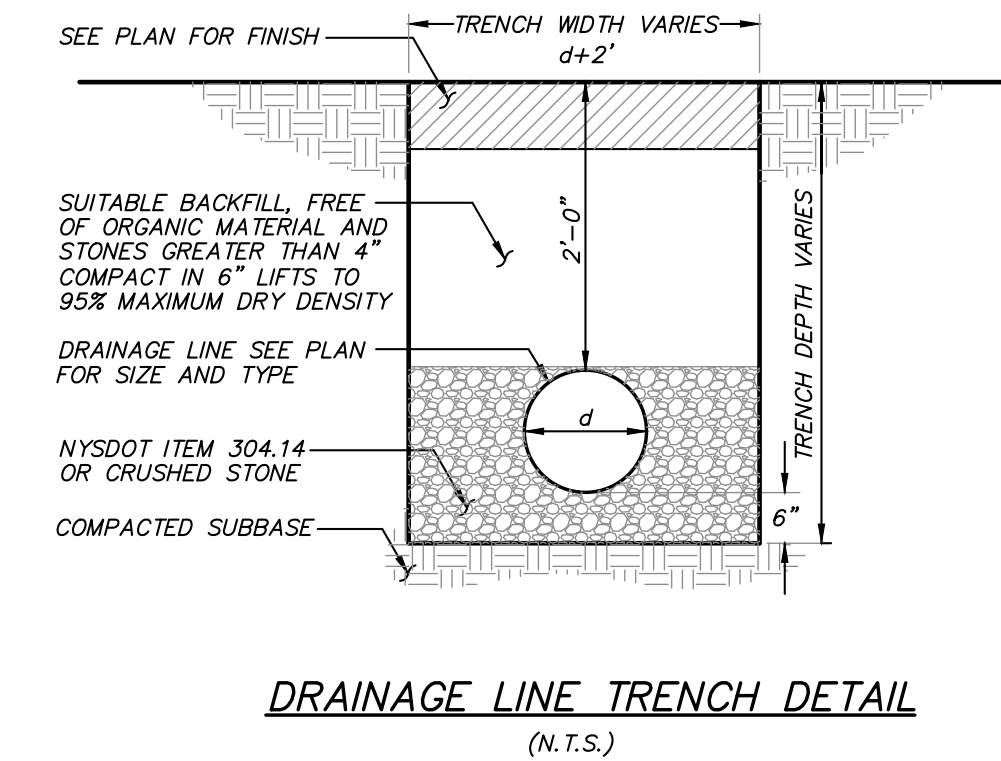
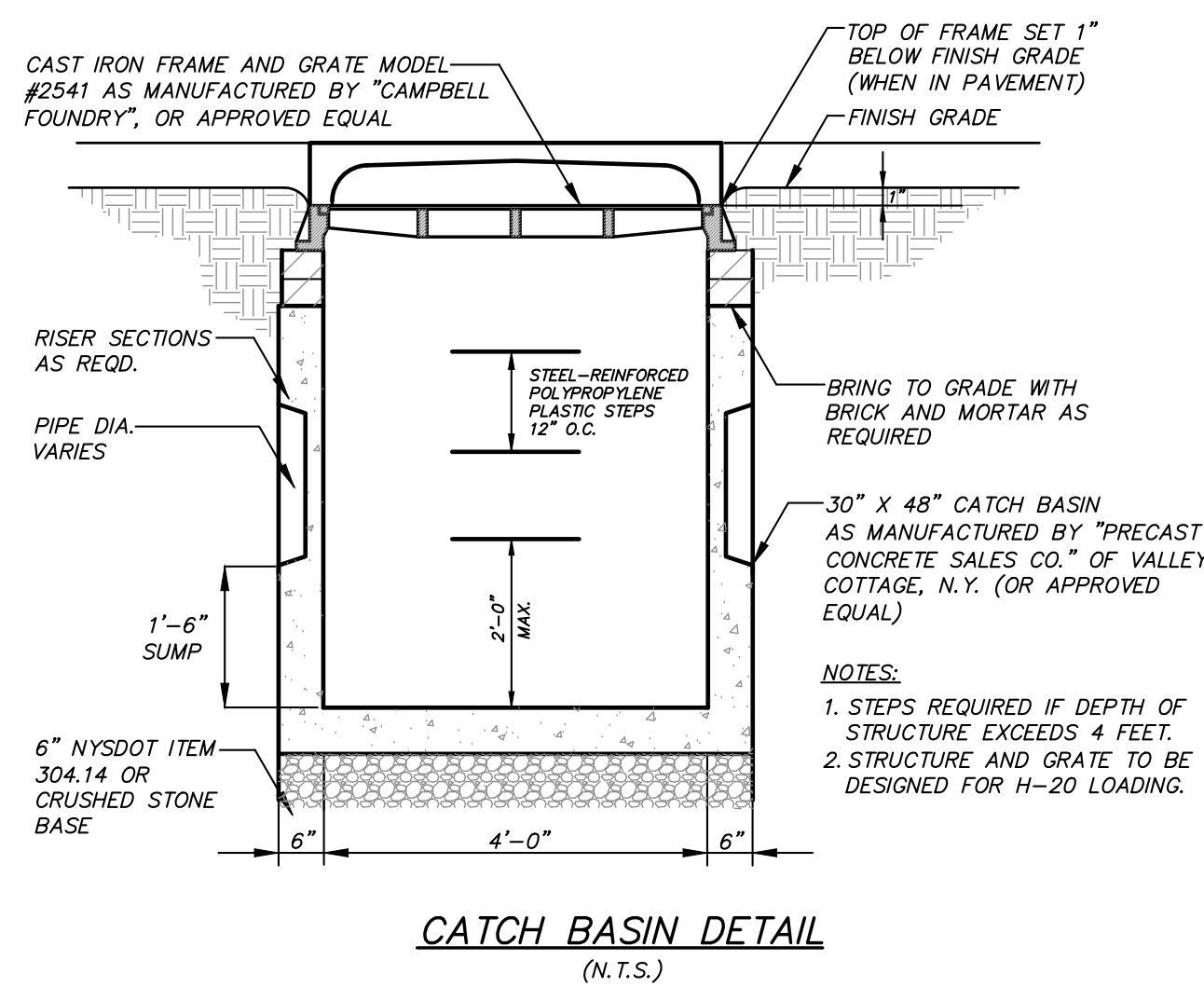
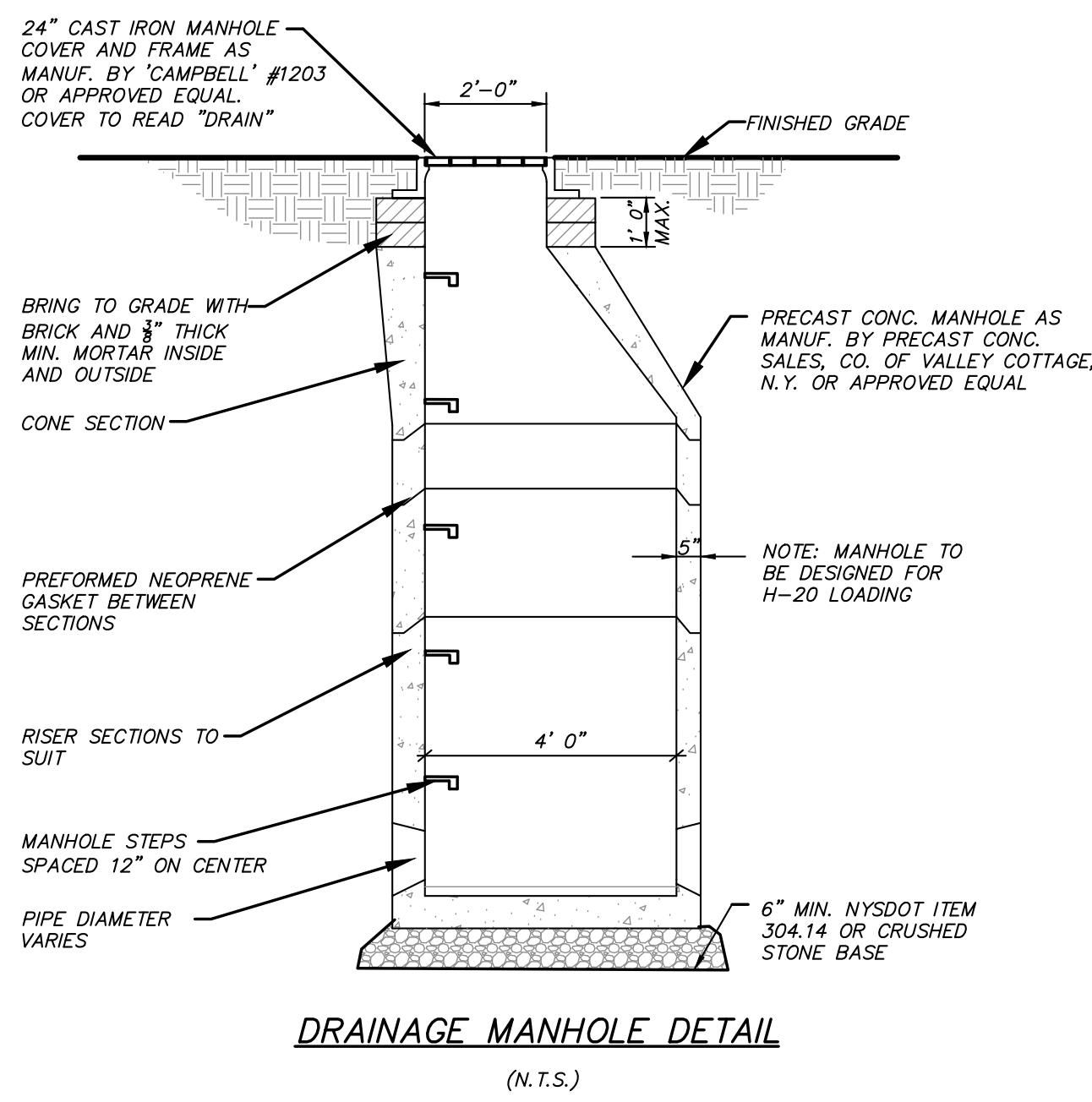
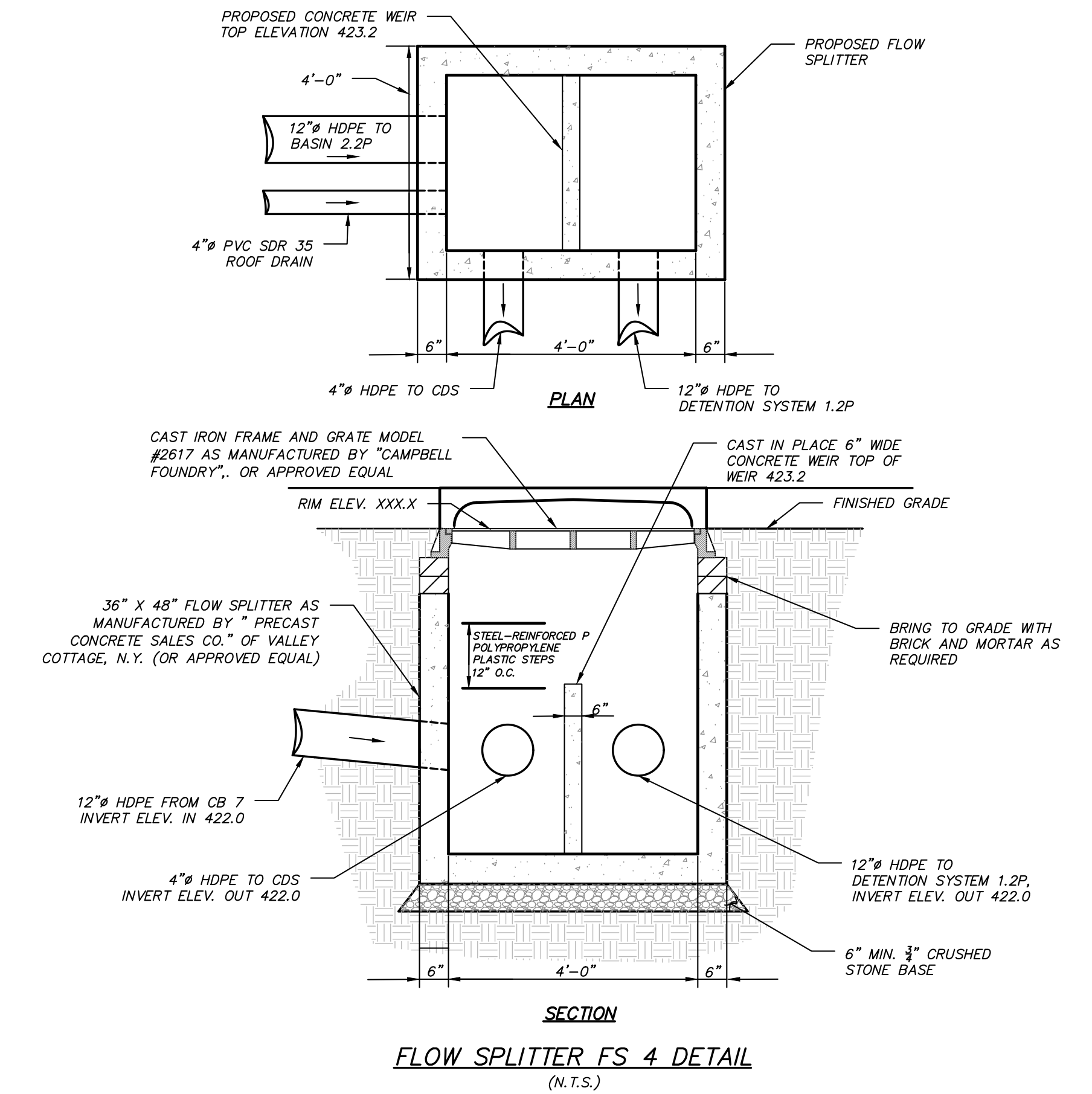
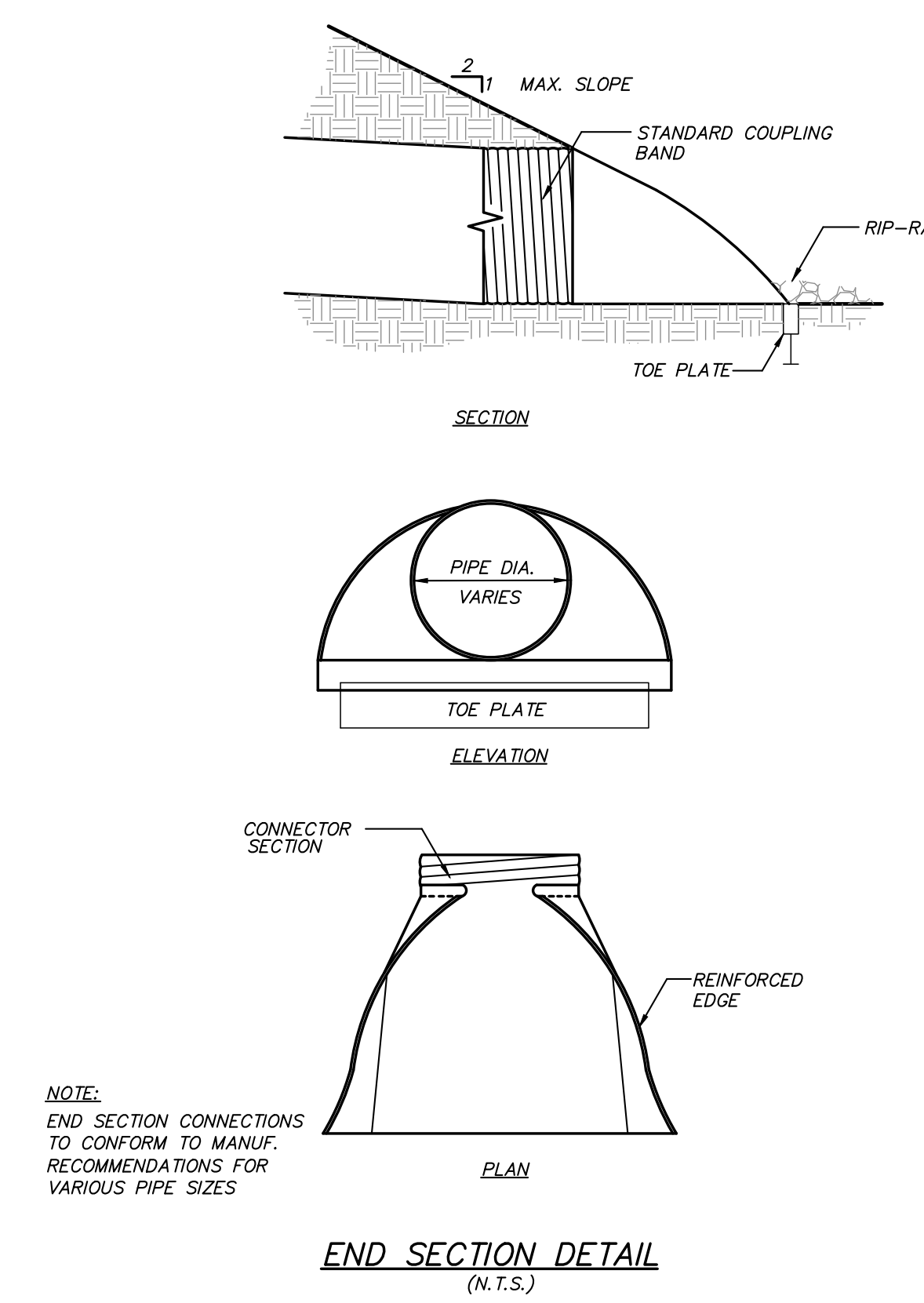
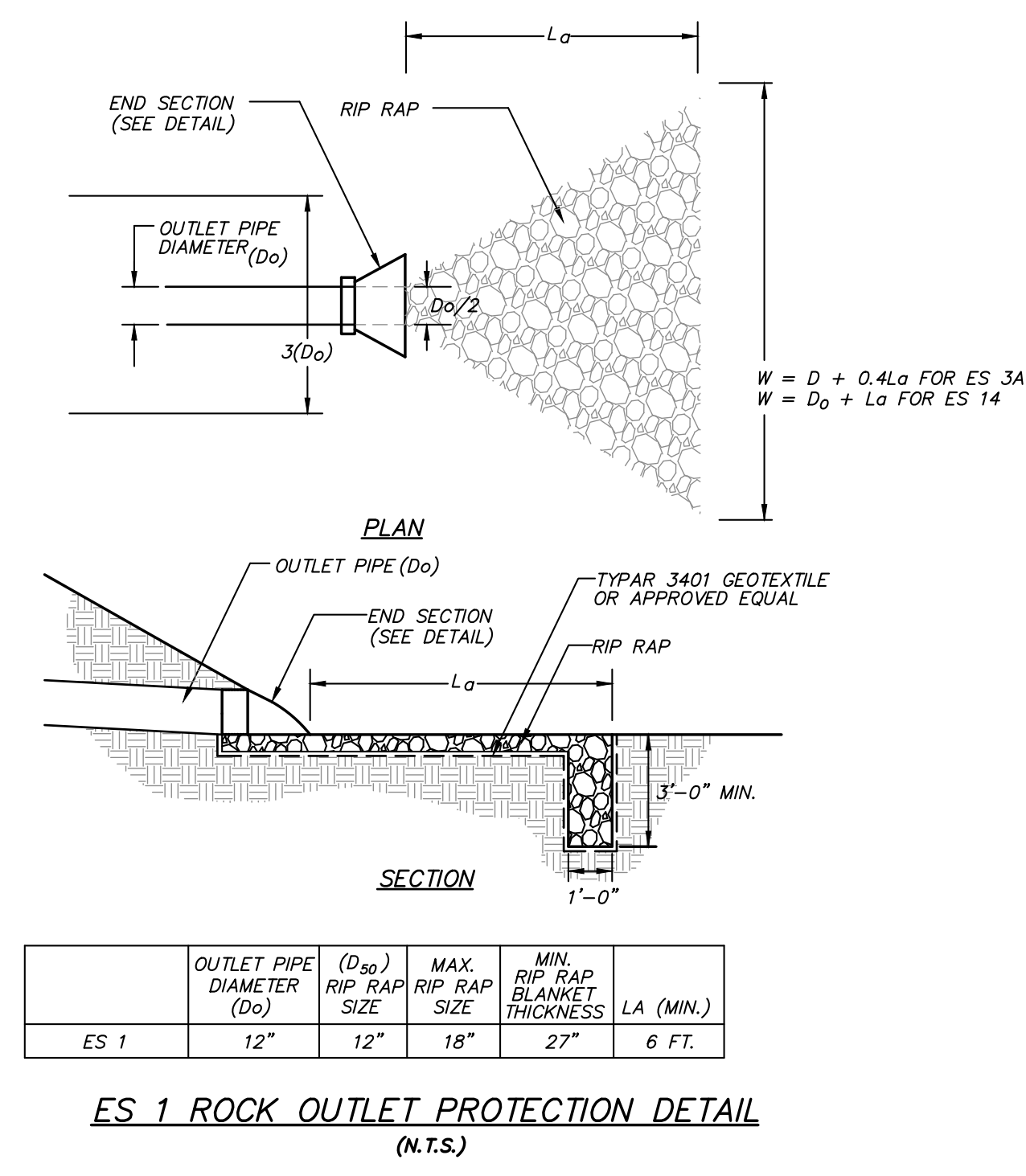
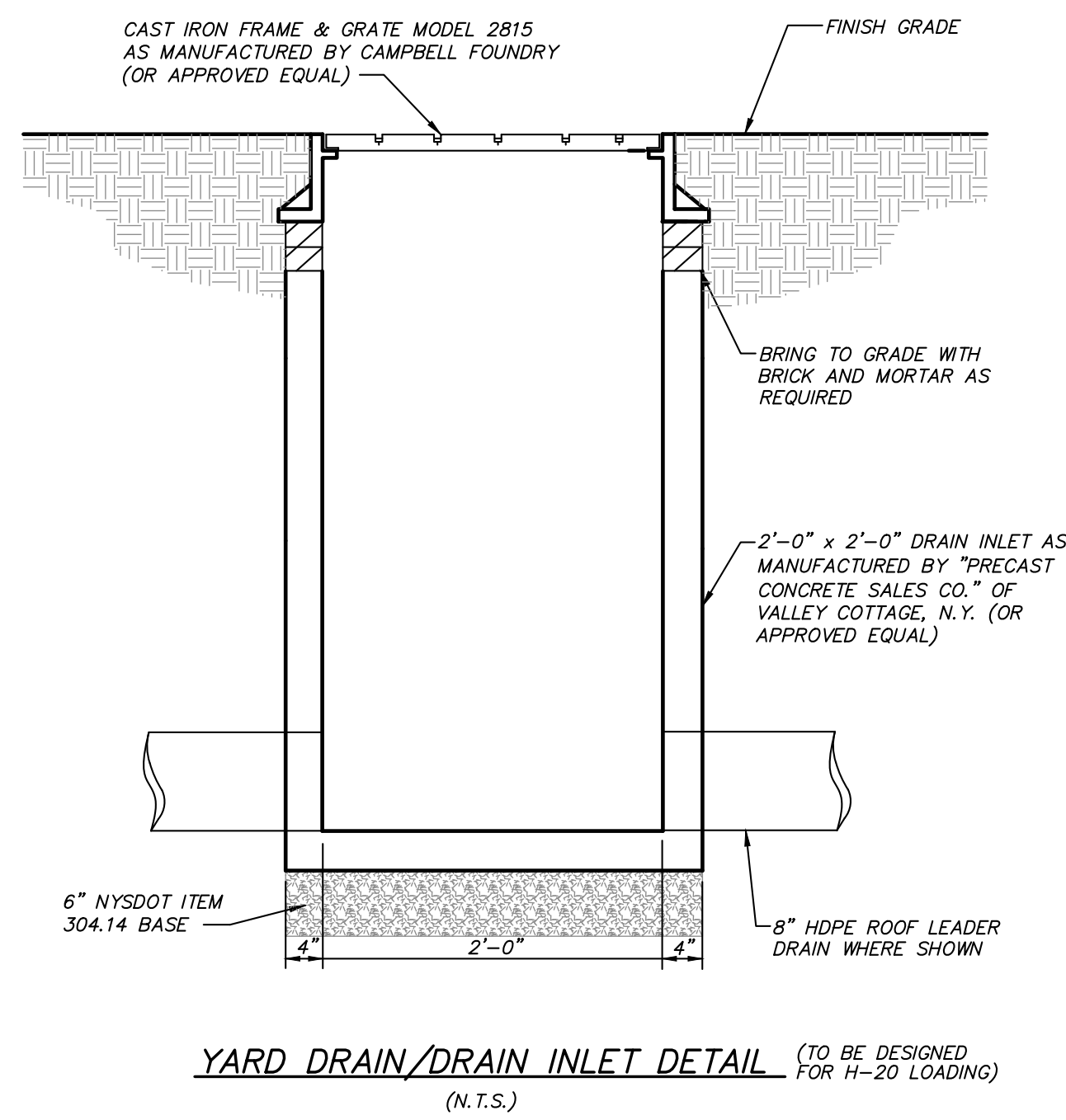
PROJECT:
NY FUEL DISTRIBUTORS

3700 BARGER STREET, TOWN OF YORKTOWN, WESTCHESTER COUNTY

DRAWING:
DETAILS

PROJECT NUMBER: 19195.100 PROJECT MANAGER: R.D.W.
DATE: 10-8-19 DRAWN BY: K.A.M.
SCALE: N.T.S. CHECKED BY: R.D.W.

DRAWING NO. SHEET
D-2 7
8



NO.	DATE	REVISION	BY
1	12-16-19	RESUBMISSION TO TOWN	G.A.M.

INSITE
ENGINEERING, SURVEYING & LANDSCAPE ARCHITECTURE, P.C.

3 Garrett Place
Carmel, NY 10512
(845) 225-9690
(845) 225-9717 fax
www.insite-eng.com

PROJECT:
NY FUEL DISTRIBUTORS

3700 BARGER STREET, TOWN OF YORKTOWN, WESTCHESTER COUNTY

DRAWING:
DETAILS

PROJECT NUMBER 19195.100 PROJECT MANAGER R.D.W.
DATE 10-8-19 DRAWN BY K.A.M.
SCALE N.T.S. CHECKED BY R.D.W.

DRAWING NO. SHEET
D-3 8